



S2592/S3477 series

Thermoelectrically cooled photodiodes for low-light-level detection in UV to near IR

The S2592/S3477 series sensors combine a UV to near infrared Si photodiode with a thermoelectric cooler. A thermistor is also included in the same package to sense the Si photodiode chip temperature. This allows stable operation over long periods of time, making these sensors suitable for low-light-level detection where a high S/N is required.

The S2592 series is hermetically sealed in a TO-8 package, and the S3477 series in a TO-66 package. A dedicated temperature controller (C1103-04) and heatsink (A3179 series) are also available as options (sold separately).

Features

- High S/N
- High UV sensitivity
- Built-in thermistor allows stable operation.

Applications

- Low-light-level detection

Structure

Parameter	S2592-03	S3477-03	S2592-04	S3477-04	Unit
Built-in photodiode	S1336 series				-
Window material	Sapphire glass				-
Photosensitive area	2.4 × 2.4		5.8 × 5.8		mm
Package	TO-8	TO-66	TO-8	TO-66	

Absolute maximum ratings

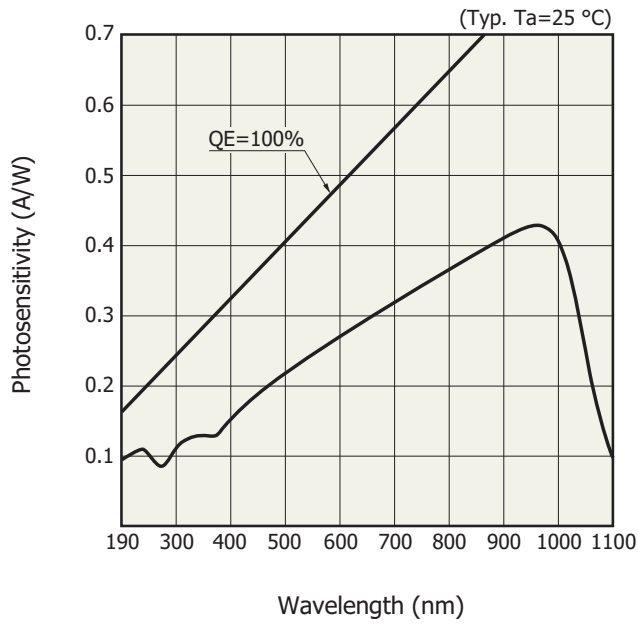
Parameter	Symbol	Value	Unit
Reverse voltage	V _R	5	V
Operating temperature	T _{opr}	-40 to +70	°C
Storage temperature	T _{stg}	-55 to +85	°C
Allowable current for thermoelectric cooler	I _{te}	1.5	A
Thermistor power dissipation	P _{th}	0.2	mW

Note: Exceeding the absolute maximum ratings even momentarily may cause a drop in product quality. Always be sure to use the product within the absolute maximum ratings.

Electrical and optical characteristics (Typ. T_a=25 °C)

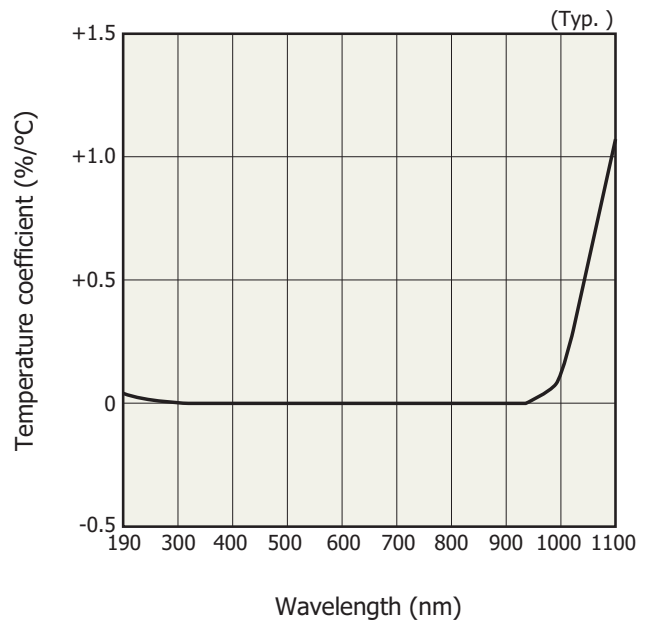
Parameter	Symbol	Condition	S2592-03	S3477-03	S2592-04	S3477-04	Unit
Spectral response range	λ		190 to 1100				nm
Peak sensitivity wavelength	λ _p		960				nm
Photosensitivity	S	λ=λ _p	0.42				A/W
Short circuit current	I _{sc}	100 lx, 2856 K	5		28		μA
Dark current	I _D	V _R =10 mV	10		25		pA
Temperature coefficient of dark current	T _{CD}		1.15				times/°C
Rise time	t _r	V _R =0 V, R _L =1 kΩ	0.2		1		μs
Terminal capacitance	C _t	V _R =0 V	65		380		pF
Shunt resistance	R _{sh}	V _R =10 mV	1		0.4		GΩ
Noise equivalent power	NEP	V _R =0 V, λ=λ _p	8.1 × 10 ⁻¹⁵		1.3 × 10 ⁻¹⁴		W/Hz ^{1/2}
Cooling temperature	ΔT		35				°C

Spectral response



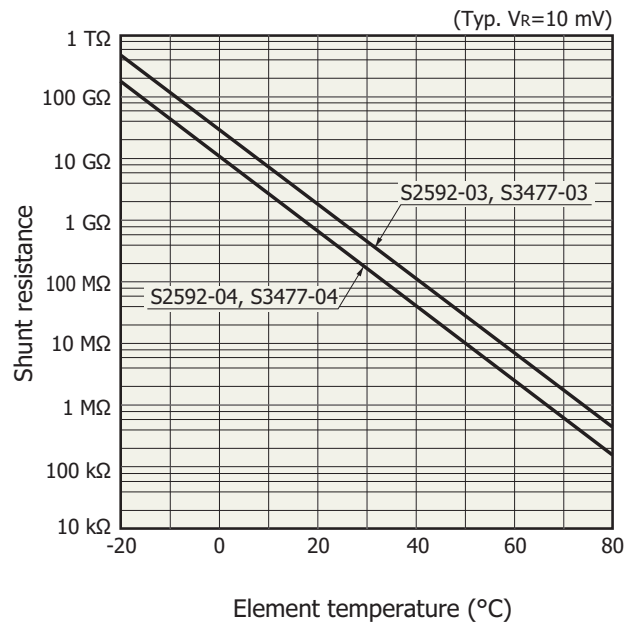
KSPDB0182EC

Photosensitivity temperature characteristics



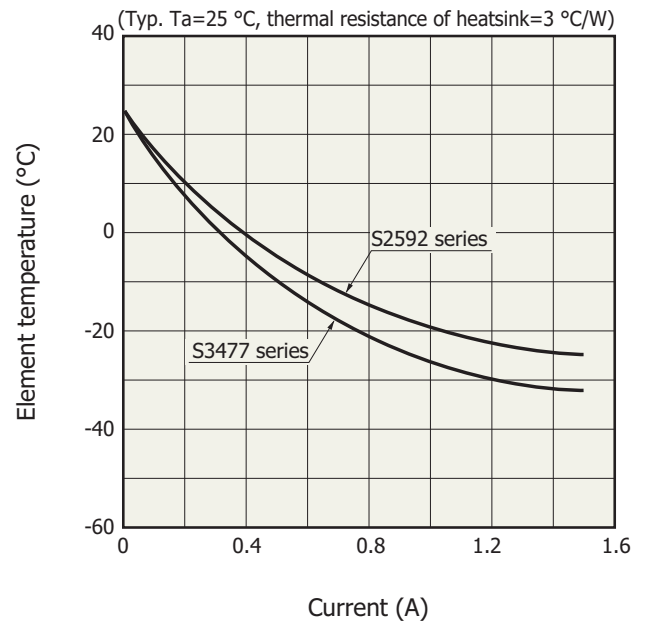
KSPDB0053EC

Shunt resistance vs. element temperature



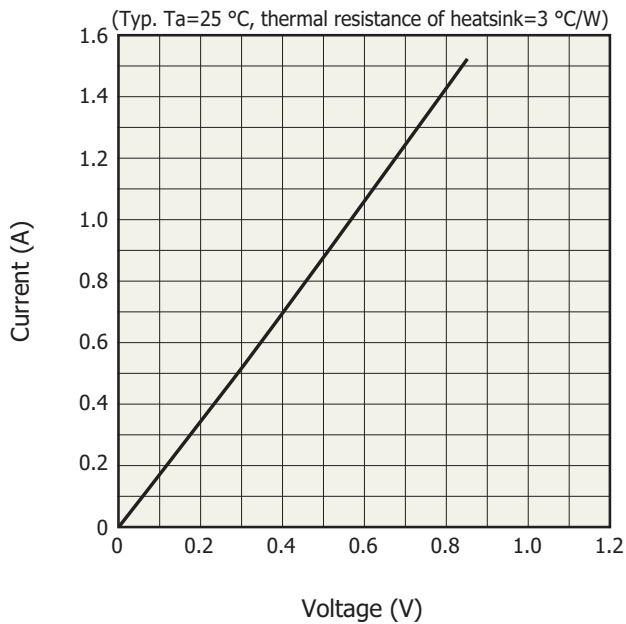
KSPDB0183EA

Cooling characteristics of TE-cooler

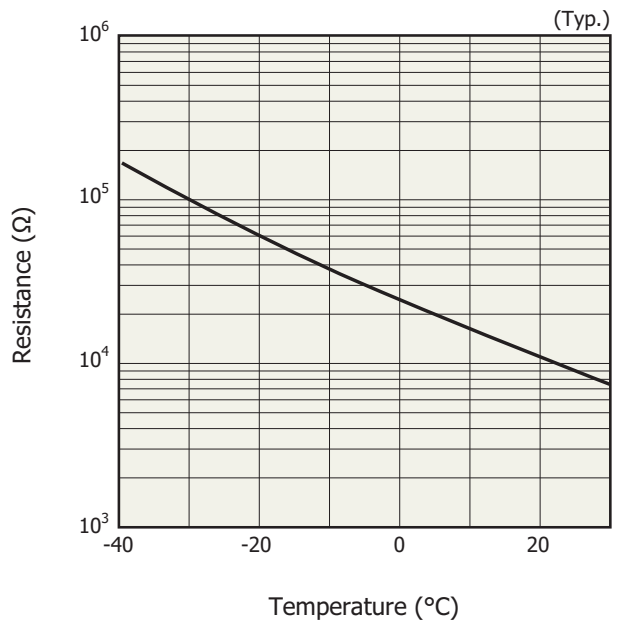


KSPDB0184EA

Current vs. voltage characteristics of TE-cooler

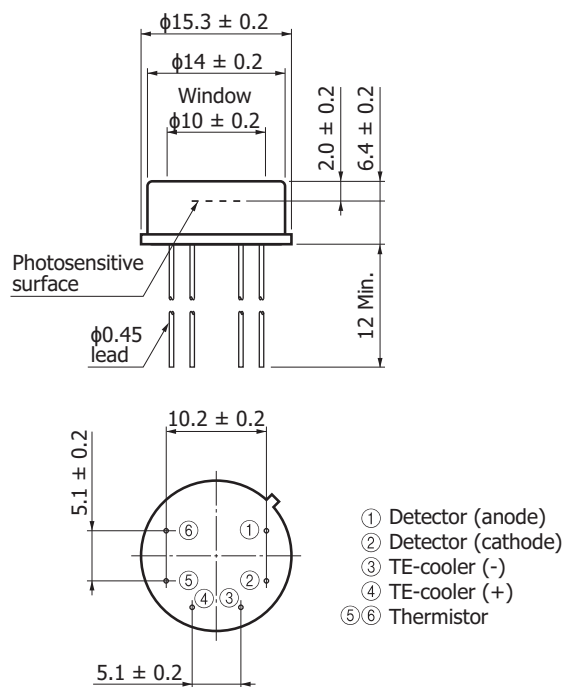


Thermistor temperature characteristics

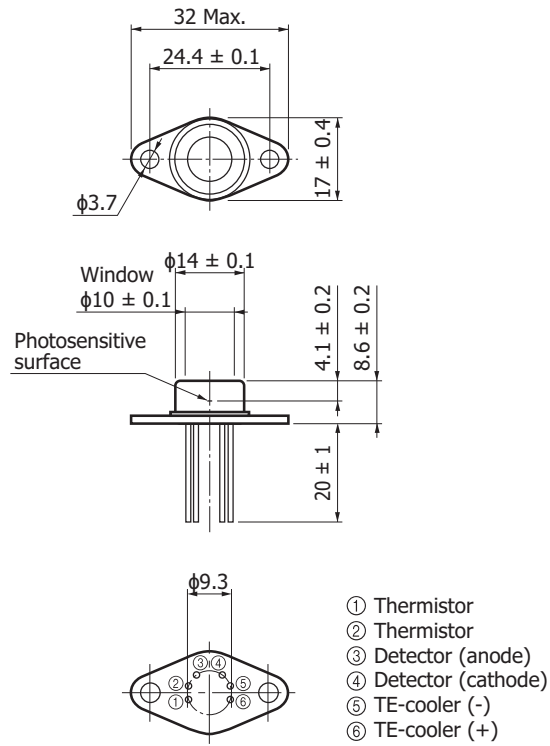


Dimensional outlines (unit: mm)

S2592 series



S3477 series



KSPDA0134EC

Temperature controller for TE-cooled detector C1103-04



By adjusting the current flowing through the thermoelectric cooler in a one-stage or two-stage thermoelectrically cooled detector, the C1103-04 maintains the detector element at a constant temperature. The cooling temperature can be easily set by using the control knob on the front panel.

Accessories

- **Instruction manual**
- **4-conductor cable (with a connector, 3 m)** **A4372-05**^{*1}
- **Power supply cable**

Specifications

Setting element temperature	-30 to +20 °C
Applicable detectors ^{*2}	One-stage or two-stage thermoelectrically cooled detectors
Temperature stability	Within ±0.1 °C
Temperature control output current	1.1 A min., 1.2 A typ., 1.3 A max.
Power supply	100 V ± 10% · 50/60 Hz ^{*3}
Power consumption	30 W
Dimensions and weight	107 (W) × 84 (H) × 190 (D) mm/approx. 1.9 kg
Operating temperature	+10 to +40 °C
Operating humidity	Equal to or less than 90% ^{*4}
Storage temperature	+20 to +40 °C

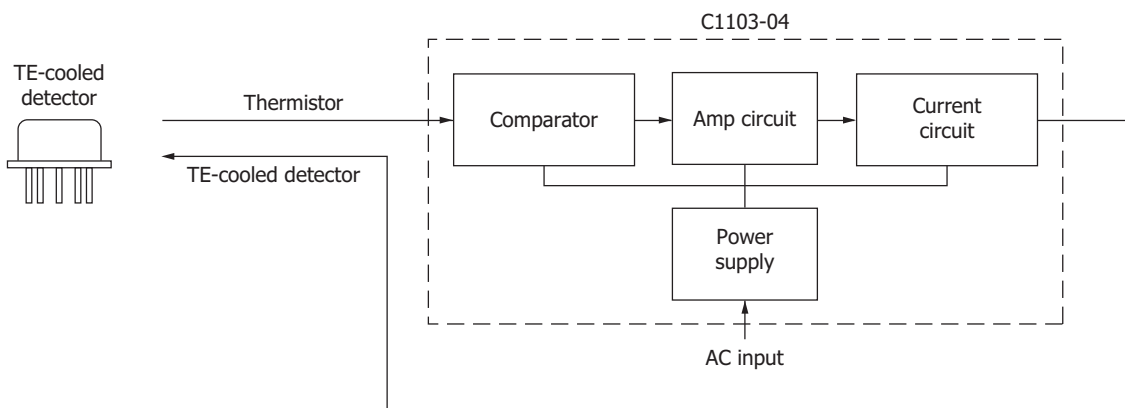
*1: When used in combination with the A3179 series heatsink, do not use the 4-conductor cable supplied with the A3179 series, but use the A4372-05 instead.

*2: It doesn't correspond to TE-cooled type infrared detector module with preamp.

*3: Power requirement (AC line voltage) can be selected from among 100 V, 115 V and 230 V at the factory prior to shipping.

*4: No condensation

Block diagram

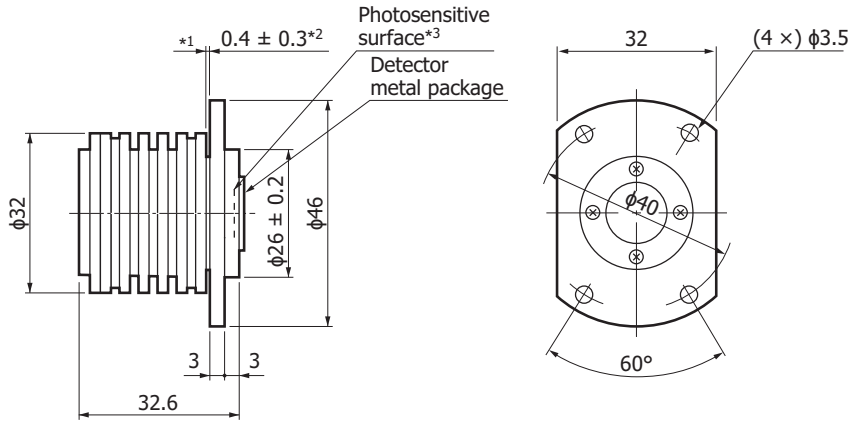


KACCC0143EB

Heatsink for TE-cooled detector (TO-8 package) A3179

The A3179 heatsink is designed for thermoelectrically cooled detectors having a 6-pin TO-8 package. Heat dissipation capacity for the A3179 is about 35 °C versus the ambient temperature 25 °C.

Dimensional outlines (unit: mm, tolerance unless otherwise noted: ±0.3)



Weight: 50 g approx.

- *1: Bottom surface (reference surface) of detector metal package
- *2: When the detector is installed
- *3: The position of the photosensitive surface differs according to the detector used.
Refer to the dimensional outline for the detector.

KIRDA0018ED

■ Precautions against UV light exposure

- When UV light irradiation is applied, the product characteristics may degrade. Such examples include degradation of the product's UV sensitivity and increase in dark current. This phenomenon varies depending on the irradiation level, irradiation intensity, usage time, and ambient environment and also varies depending on the product model. Before employing the product, we recommend that you check the tolerance under the ultraviolet light environment that the product will be used in.
- Exposure to UV light may cause the characteristics to degrade due to gas released from the resin bonding the product's component materials. As such, we recommend that you avoid applying UV light directly on the resin and apply it on only the inside of the photosensitive area by using an aperture or the like.

■ Related information

http://www.hamamatsu.com/sp/ssd/doc_en.html

■ Precautions

- Disclaimer
- Metal, ceramic, plastic package products

■ Technical information

- Si photodiode / Application circuit examples

Information described in this material is current as of March 2018.

Product specifications are subject to change without prior notice due to improvements or other reasons. This document has been carefully prepared and the information contained is believed to be accurate. In rare cases, however, there may be inaccuracies such as text errors. Before using these products, always contact us for the delivery specification sheet to check the latest specifications.

The product warranty is valid for one year after delivery and is limited to product repair or replacement for defects discovered and reported to us within that one year period. However, even if within the warranty period we accept absolutely no liability for any loss caused by natural disasters or improper product use. Copying or reprinting the contents described in this material in whole or in part is prohibited without our prior permission.

HAMAMATSU

www.hamamatsu.com

HAMAMATSU PHOTONICS K.K., Solid State Division

1126-1 Ichino-cho, Higashi-ku, Hamamatsu City, 435-8558 Japan, Telephone: (81) 53-434-3311, Fax: (81) 53-434-5184

U.S.A.: Hamamatsu Corporation: 360 Foothill Road, Bridgewater, N.J. 08807, U.S.A., Telephone: (1) 908-231-0960, Fax: (1) 908-231-1218, E-mail: usa@hamamatsu.com

Germany: Hamamatsu Photonics Deutschland GmbH: Arzbergerstr. 10, D-82211 Herrsching am Ammersee, Germany, Telephone: (49) 8152-375-0, Fax: (49) 8152-265-8, E-mail: info@hamamatsu.de

France: Hamamatsu Photonics France S.A.R.L.: 19, Rue du Saule Trapu, Parc du Moulin de Massy, 91882 Massy Cedex, France, Telephone: 33-(1) 69 53 71 00, Fax: 33-(1) 69 53 71 10, E-mail: infos@hamamatsu.fr

United Kingdom: Hamamatsu Photonics UK Limited: 2 Howard Court, 10 Tewin Road, Welwyn Garden City, Hertfordshire AL7 1BW, United Kingdom, Telephone: (44) 1707-294888, Fax: (44) 1707-325777, E-mail: info@hamamatsu.co.uk

North Europe: Hamamatsu Photonics Norden AB: Torshamnsgatan 35 16440 Kista, Sweden, Telephone: (46)8-509 031 00, Fax: (46)8-509 031 01, E-mail: info@hamamatsu.se

Italy: Hamamatsu Photonics Italia S.r.l.: Strada della Moia, 1 int. 6, 20020 Arese (Milano), Italy, Telephone: (39)02-93 58 17 33, Fax: (39)02-93 58 17 41, E-mail: info@hamamatsu.it

China: Hamamatsu Photonics (China) Co., Ltd.: B1201, Jiaming Center, No.27 Dongsanhuan Beilu, Chaoyang District, Beijing 100020, China, Telephone: (86) 10-6586-6006, Fax: (86) 10-6586-2866, E-mail: hpc@hamamatsu.com.cn

Taiwan: Hamamatsu Photonics Taiwan Co., Ltd.: 8F-3, No. 158, Section2, Gongdao 5th Road, East District, Hsinchu, 300, Taiwan R.O.C. Telephone: (886)03-659-0080, Fax: (886)03-659-0081, E-mail: info@hamamatsu.com.tw