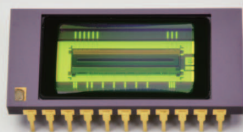


InGaAs linear image sensors

G14714 series



High-speed line rate near infrared sensor (0.95 to 1.7 μm)

The G14714 series are InGaAs linear image sensors designed for foreign object detection. The CMOS chip consists of charge amplifiers, shift registers, and timing generator. Charge amplifiers are configured with CMOS transistor array and are bump-bonded to each pixel of the InGaAs photodiode array. Since the signal from each pixel is read out in charge integration mode, high sensitivity and stable operation are attained in a wide spectral response range.

The signal processing circuit on the CMOS chip enables the selection of an optimum conversion efficiency (CE) for your application from the available four types using external voltage.

Features

- High-speed line rate: 40000 lines/s max.
- High-speed data rate: 15 MHz max.
- Selectable from four conversion efficiency types
- Built-in timing generator
- Built-in temperature sensor
- Room temperature operation

Applications

- Foreign object detection
- Farm product inspection

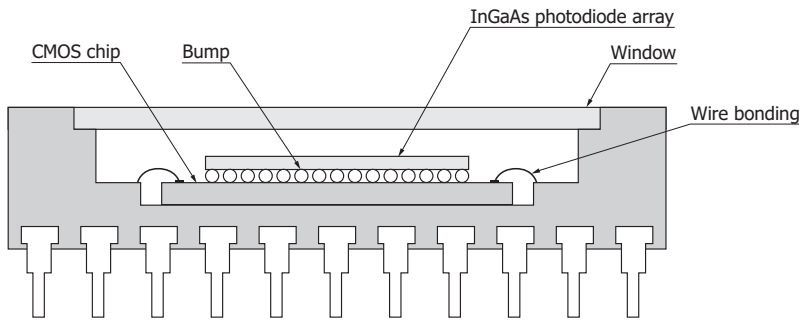
Structure

Parameter	G14714-512DE	G14714-1024DK	Unit
Cooling	Non-cooled type		-
Total number of pixels	512	1024	pixels
Number of effective pixels	512	1024	pixels
Image size*1	12.8 × 0.025	12.8 × 0.0125	mm
Pixel size*2 (H × V)	25 × 25	12.5 × 12.5	μm
Pixel pitch	25	12.5	μm
Package	22-pin ceramic (see dimensional outline)		-
Window material	Borosilicate glass (AR coated)		-

*1: Actual sensitivity region G14714-512DE: 12.8 × 0.045 mm, G14714-1024DK: 12.8 × 0.0325 mm

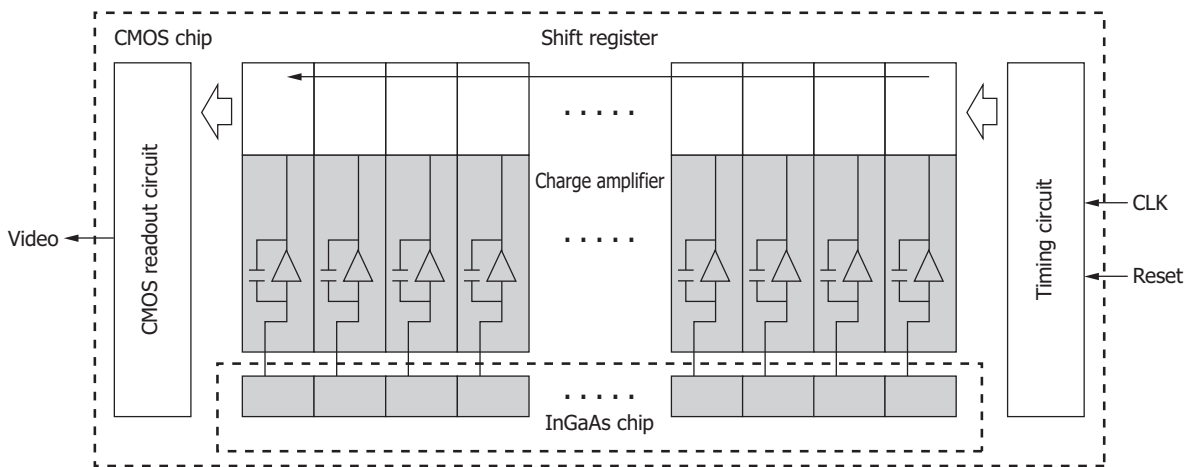
*2: Actual sensitivity region G14714-512DE: 25 × 45 μm , G14714-1024DK: 12.5 × 32.5 μm

Cross section



KMIRC0053EA

Block diagram



KMIRC0119EA

Absolute maximum ratings

Parameter	Symbol	Condition	Min.	Typ.	Max.	Unit
Supply voltage	V _{dd} , DV _{dd} , INP V _{inp} , PDN	T _a =25 °C	-0.3	-	+4.2	V
Clock pulse voltage	V _{clk}	T _a =25 °C	-0.3	-	+4.2	V
Reset pulse voltage	V _{res}	T _a =25 °C	-0.3	-	+4.2	V
Gain selection terminal voltage	V _{cf sel}	T _a =25 °C	-0.3	-	+4.2	V
Operating temperature	T _{opr}	No dew condensation*3	-10	-	+60	°C
Storage temperature	T _{stg}	No dew condensation*3	-20	-	+70	°C
Soldering conditions	-		260 °C or less, 5 seconds or less			-
Thermistor power dissipation	P _{d th}	T _a = 25 °C	-	-	400	mW

*3: When there is a temperature difference between a product and the surrounding area in high humidity environment, dew condensation may occur on the product surface. Dew condensation on the product may cause deterioration in characteristics and reliability.

Note: Absolute maximum ratings indicate values that must not be exceeded. Exceeding the absolute maximum ratings even momentarily may cause a drop in product quality. Always be sure to use the product within the absolute maximum ratings.

Recommended terminal voltage

Parameter		Symbol	Min.	Typ.	Max.	Unit
Supply voltage		Vdd, DVdd	3.2	3.3	3.4	V
Video line reset voltage		Vinp	2.4	2.5	2.6	V
Input stage amplifier reference voltage		INP	2.4	2.5	2.6	V
Pixel voltage*4		PDN	2.5	2.6	2.7	V
Ground		GND	-	0	-	V
Clock pulse voltage	High	Vclk	Vdd - 0.4	Vdd	Vdd + 0.4	V
	Low		-	0	0.4	
Reset pulse voltage	High	Vres	Vdd - 0.4	Vdd	Vdd + 0.4	V
	Low		-	0	0.4	

*4: Set the pixel voltage about 0.1 V higher than the input stage amplifier reference voltage.

Electrical and optical characteristics (Ta=25 °C, Vdd, DVdd=3.3 V, INP, Vinp=2.5 V, PDN=2.6 V, fop=15 MHz, per pixel)

Parameter	Symbol	Condition	G14714-512DE			G14714-1024DK			Unit
			Min.	Typ.	Max.	Min.	Typ.	Max.	
Spectral response range	λ		-	0.95 to 1.7	-	-	0.95 to 1.7	-	μm
Peak sensitivity wavelength	λ_p		1.45	1.55	1.65	1.45	1.55	1.65	μm
Photosensitivity	S	$\lambda = \lambda_p$	0.7	0.82	-	0.7	0.82	-	A/W
Conversion efficiency	CE	Cf=1.25 pF	-	0.128	-	-	0.128	-	$\mu\text{V}/e^-$
		Cf=0.13 pF	-	1.23	-	-	1.23	-	
		Cf=0.04 pF	-	4.0	-	-	4.0	-	
		Cf=0.02 pF	-	8.0	-	-	8.0	-	
Saturation charge*5	Csat		0.2	0.219	-	0.2	0.213	-	Me ⁻
Saturation output voltage*5	Vsat		1.6	1.75	-	1.6	1.7	-	V
Photoresponse nonuniformity*6	PRNU		-	±5	±20	-	±5	±20	%
Dark current*5	Id		-0.1	0.5	5	-0.1	0.5	5	pA
Dark output*5	Vd		-5	25	250	-5	25	250	V/s
Readout noise	Nread	CE=1.23 $\mu\text{V}/e^-$	-	1.5	3	-	1.2	2	mV rms
		CE=8.0 $\mu\text{V}/e^-$	-	10	15	-	8	13	
Dynamic range	Drange	CE=1.23 $\mu\text{V}/e^-$	533	1167	-	800	1417	-	-
		CE=8.0 $\mu\text{V}/e^-$	107	175	-	123	213	-	
Defective pixels*7	-		-	-	1	-	-	1	%

*5: CE=8.0 $\mu\text{V}/e^-$

*6: CE=1.23 $\mu\text{V}/e^-$, measured at 50% saturation after subtracting the dark output, excluding the first and last pixels

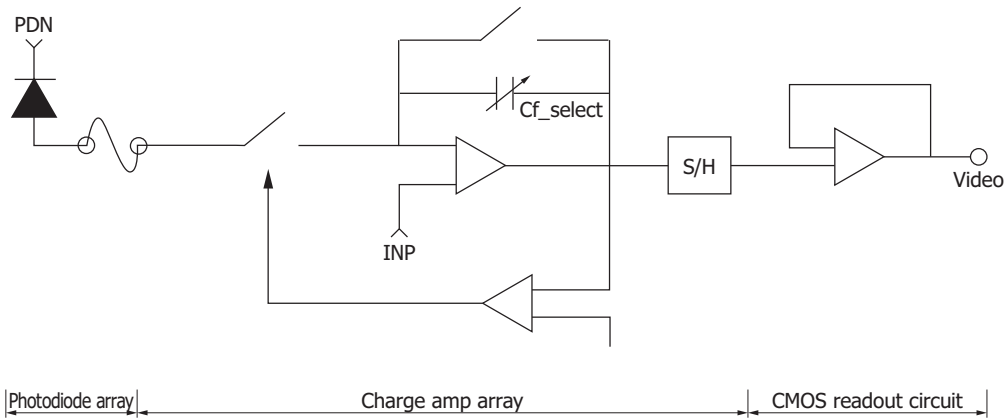
*7: Pixels whose photoresponse nonuniformity, dark current, or readout noise is outside the specifications

Electrical characteristics (Ta=25 °C)

Parameter	Symbol	G14714-512DE			G14714-1024DK			Unit	
		Min.	Typ.	Max.	Min.	Typ.	Max.		
Supply current	Ivdd	-	60	100	-	85	120	mA	
	Idvdd	-	10	15	-	10	15		
Video line reset current	Ivinp	-	-	10	-	-	10	mA	
Input stage amplifier reference current	Iinp	-	-	10	-	-	10	mA	
Pixel current	Ipdn	-	-	20	-	-	20	mA	
Output voltage	Dark	Video(dark)	-	2.6	2.9	-	2.55	2.9	V
	Saturation	Video(sat)	0.6	0.85	-	0.6	0.85	-	
Clock frequency	fop	0.1	-	15	0.1	-	15	MHz	
Output offset voltage	Vos	-	Vinp	-	-	Vinp	-	V	
Output impedance	Zo	-	5	-	-	5	-	k Ω	
Data rate	DR	-	fop	-	-	fop	-	MHz	
Thermistor resistance	Rth	-	10	-	-	10	-	k Ω	
Thermistor B constant*8	B	-	3950	-	-	3950	-	K	

*8: T1=25 °C, T2=50 °C

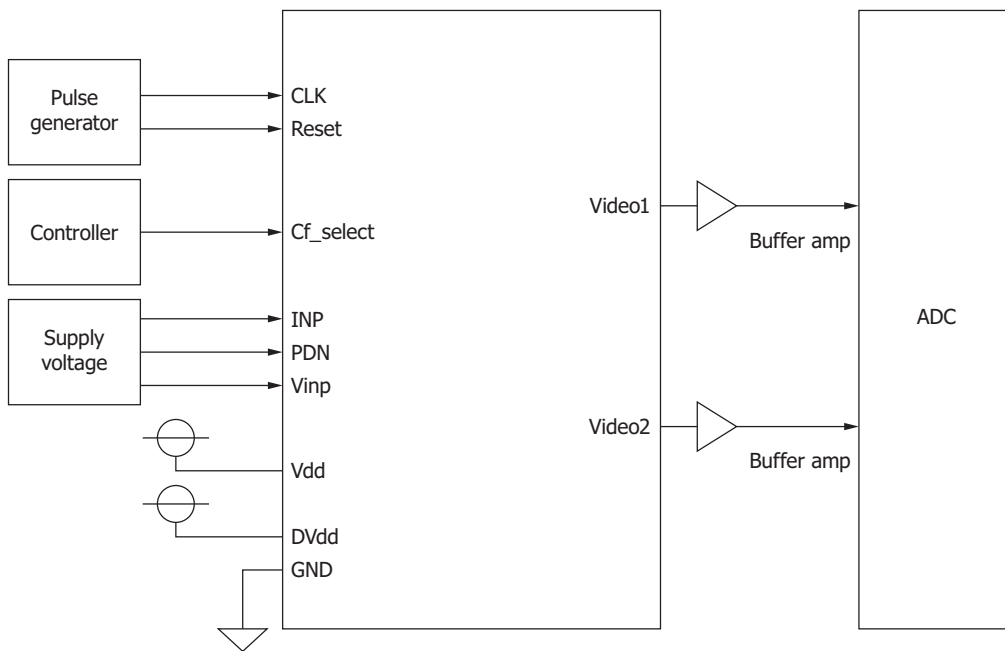
Equivalent circuit



KMIRC0120EA

Connection examples

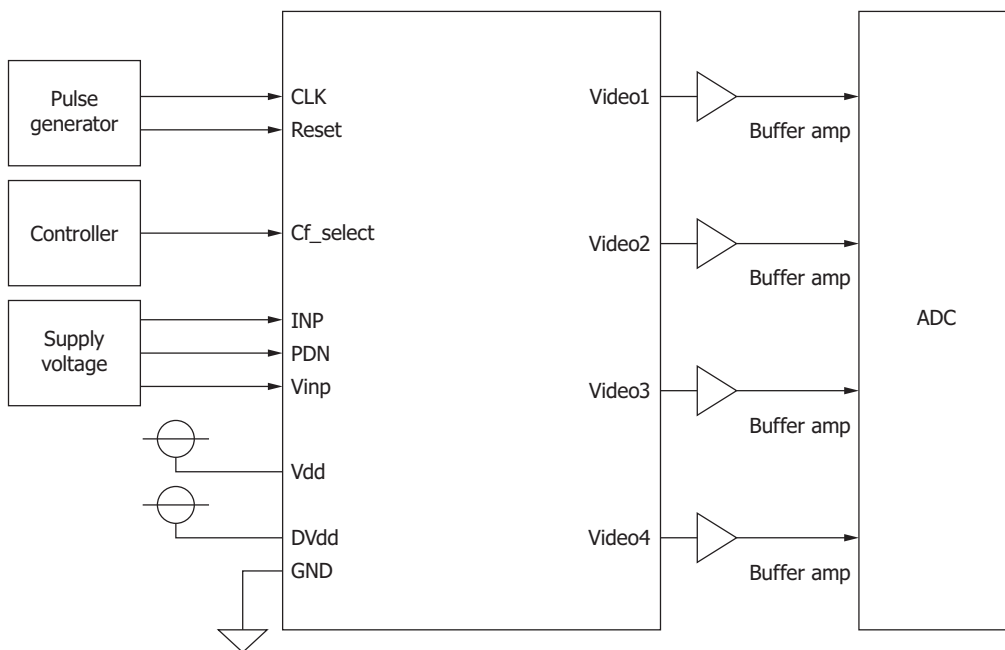
G14714-512DE



Note: buffer amp example: LT1818

KMIRC0125EA

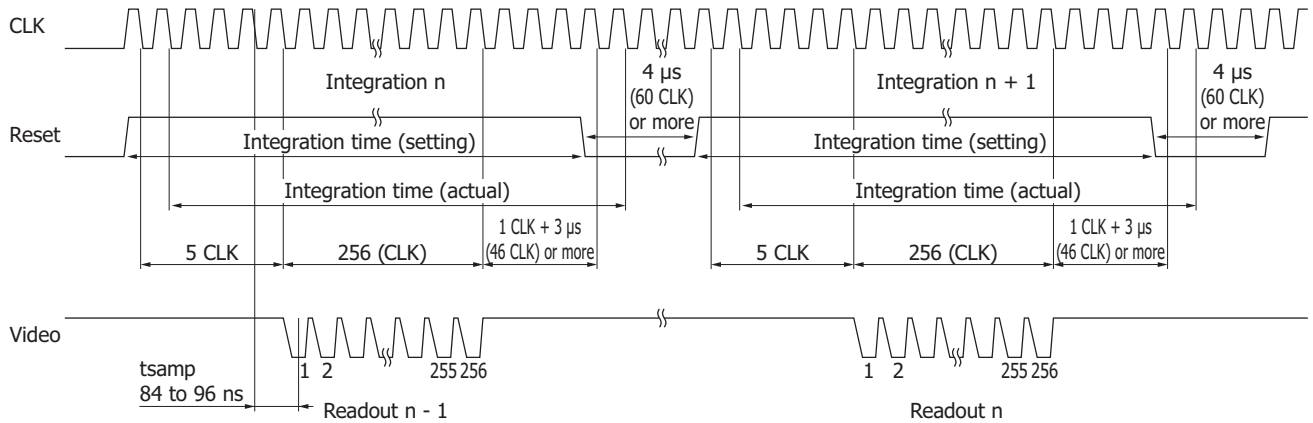
G14714-1024DK



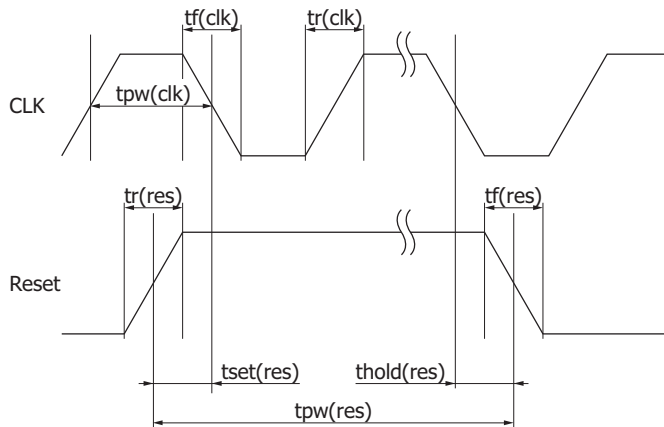
Note: buffer amp example: LT1818

KMIRC0122EA

Timing chart (fop=15 MHz, 256 ch/port)



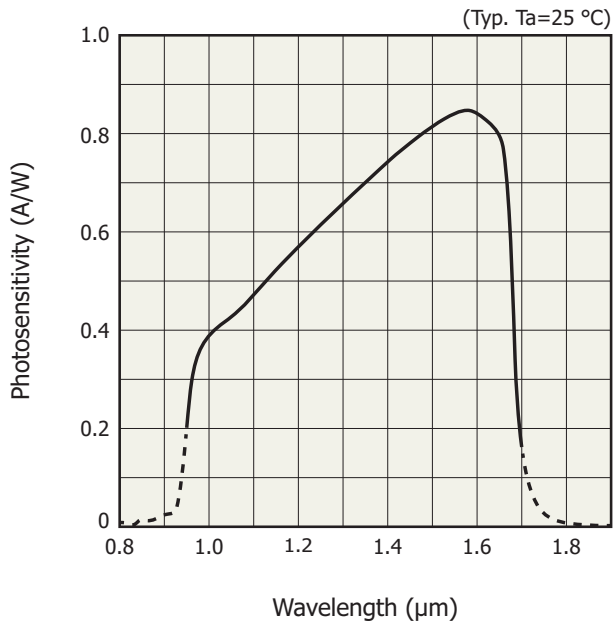
Integration time (actual) = Reset high period



KMIRC0121EB

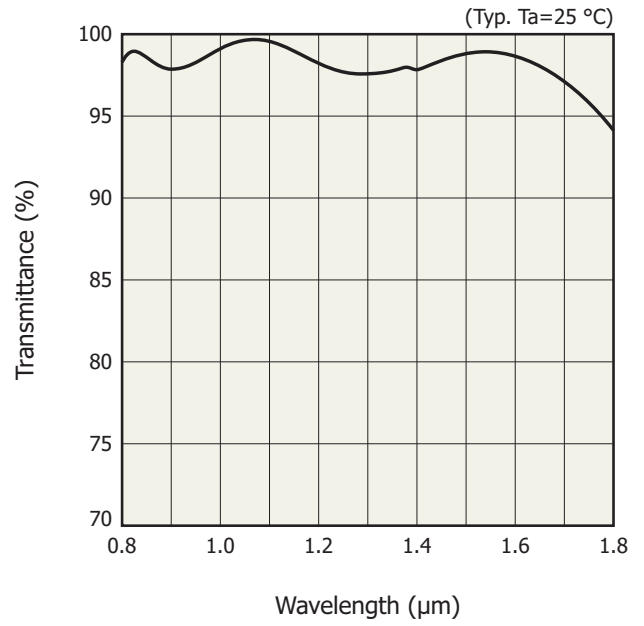
Parameter	Symbol	Min.	Typ.	Max.	Unit
Operating frequency	fop	0.1	-	15	MHz
Clock pulse width	tpw(clk)	-	33.3	5000	ns
Clock pulse rise/fall times	tr(clk), tf(clk)	0	5	10	ns
Reset pulse width	tpw(res)	High	262 CLK + 3 μs	-	-
		Low	4 μs	-	-
Reset pulse rise/fall times	tr(res), tf(res)	0	10	20	ns
Clock setup time	tset(res)	10	-	-	ns
Clock hold time	thold(res)	10	-	-	ns

Spectral response



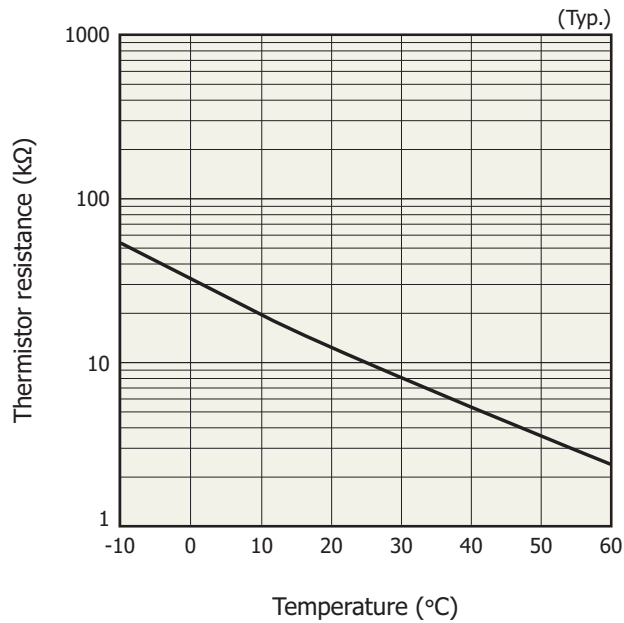
KMIRB0051EC

Spectral transmittance of window material



KMIRB0090EA

Thermistor temperature characteristics



(Typ.)

Temperature	Thermistor resistance (kΩ)
-10	53.0
-5	41.2
0	32.1
5	25.1
10	19.8
15	15.7
20	12.5
25	10.0
30	8.06
35	6.53
40	5.32
45	4.36
50	3.59
55	2.97
60	2.47

KMIRB0059EA

Pin connections

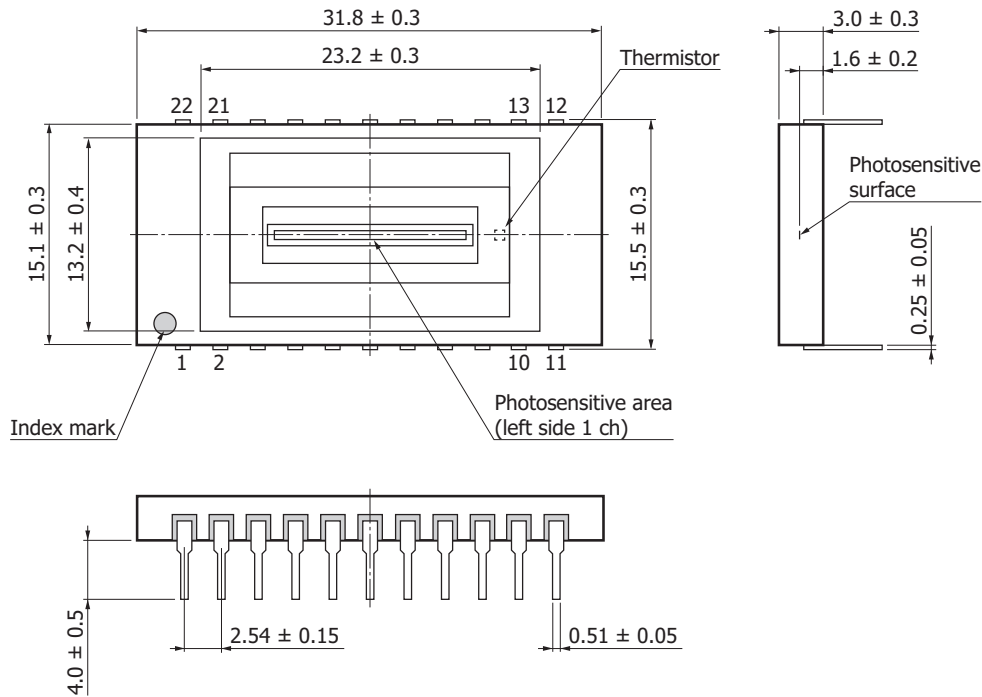
Terminal name	Input/output	Function and recommended connection	Note
PDN	Input	InGaAs photodiode's cathode bias terminal. Set it about 0.1 V higher than the INP terminal.	2.6 V
Cf_select* ⁹	Input	Signal for selecting the feedback capacitance (conversion efficiency) on the CMOS chip	0 V or 3.3 V
Reset	Input	Reset pulse for initializing the feedback capacitance in the charge amplifier formed on the CMOS chip. Integration time is determined by the high level period of the pulse.	0 to 3.3 V
CLK	Input	Clock pulse for operating the CMOS shift register	0 to 3.3 V
INP	Input	Charge amplifier reset voltage. This is the supply voltage for operating the signal processing circuit on the CMOS chip.	2.5 V
Vinp	Input	Video line reset voltage. This is the supply voltage for operating the signal processing circuit on the CMOS chip.	2.5 V
Video	Output	Analog video signal. The polarity is negative.	G14714-512DE: 0.85 to 2.6 V G14714-1024DK: 0.85 to 2.55 V
DVdd	Input	Supply voltage for operating the digital signal processing circuit on the CMOS chip	3.3 V
Vdd	Input	Supply voltage for operating the analog signal processing circuit on the CMOS chip	3.3 V
GND	-	Ground for the signal processing circuit on the CMOS chip	0 V
Therm	Output	Thermistor terminal for monitoring the package temperature	-

*9: The conversion efficiency is determined by the supply voltage to the Cf_select terminal as follows.

Conversion efficiency	Cf_select1	Cf_select2
0.128 $\mu\text{V}/\text{e}^-$	Low	Low
1.23 $\mu\text{V}/\text{e}^-$	Low	High
4.0 $\mu\text{V}/\text{e}^-$	High	Low
8.0 $\mu\text{V}/\text{e}^-$	High	High

Low: 0 V (GND), High: 3.3 V (Vdd)

Dimensional outline (unit: mm)



Pin no.	G14714-512DE	G14714-1024DK
1	NC	
2	NC	
3	Vdd	
4	NC	Video1
5	Video1	Video2
6	Vinp	
7	NC	Video3
8	Video2	Video4
9	PDN	
10	NC	
11	NC	
12	Therm	
13	Therm	
14	INP	
15	Cf_select2	
16	Cf_select1	
17	GND	
18	DVdd	
19	NC	
20	NC	
21	Reset	
22	CLK	

Package material: Ceramic
 Lead processing: Ni/Au plating
 Lead material: FeNi alloy
 Window material: Borosilicate glass
 Window thickness: 0.75 ± 0.05 mm
 Window refractive index: $n_d=1.47$
 AR coating: Available ($1.55 \mu\text{m}$ peak)
 Window sealing method: Resin adhesion
 Center position accuracy of photosensitive area: $-0.3 \leq X \leq +0.3$
 $-0.3 \leq Y \leq +0.3$
 Angle accuracy of photosensitive area: $-5^\circ \leq \theta \leq +5^\circ$

Note: Leave NC open; do not connect to GND.

Output of pixels at each video output
 [G14714-512DE]
 Video1=1 to 256 ch, Video2=257 to 512 ch
 [G14714-1024DK]
 Video1=1 to 256 ch, Video2=257 to 512 ch,
 Video3=513 to 768 ch, Video4=769 to 1024 ch

KMIRA0039EC

Electrostatic countermeasures

This device has a built-in protection circuit against static electrical charges. However, to prevent destroying the device with electrostatic charges, take countermeasures such as grounding yourself, the workbench and tools. Also protect this device from surge voltages which might be caused by peripheral equipment.

Related information

www.hamamatsu.com/sp/ssd/doc_en.html

■ Precautions

- Disclaimer
- Safety consideration
- Image sensors

Information described in this material is current as of September 2020.

Product specifications are subject to change without prior notice due to improvements or other reasons. This document has been carefully prepared and the information contained is believed to be accurate. In rare cases, however, there may be inaccuracies such as text errors. Before using these products, always contact us for the delivery specification sheet to check the latest specifications.

The product warranty is valid for one year after delivery and is limited to product repair or replacement for defects discovered and reported to us within that one year period. However, even if within the warranty period we accept absolutely no liability for any loss caused by natural disasters or improper product use. Copying or reprinting the contents described in this material in whole or in part is prohibited without our prior permission.

HAMAMATSU

www.hamamatsu.com

HAMAMATSU PHOTONICS K.K., Solid State Division

1126-1 Ichino-cho, Higashi-ku, Hamamatsu City, 435-8558 Japan, Telephone: (81)53-434-3311, Fax: (81)53-434-5184

U.S.A.: Hamamatsu Corporation: 360 Foothill Road, Bridgewater, N.J. 08807, U.S.A., Telephone: (1)908-231-0960, Fax: (1)908-231-1218, E-mail: usa@hamamatsu.com

Germany: Hamamatsu Photonics Deutschland GmbH: Arzbergerstr. 10, D-82211 Herrsching am Ammersee, Germany, Telephone: (49)8152-375-0, Fax: (49)8152-265-8, E-mail: info@hamamatsu.de

France: Hamamatsu Photonics France S.A.R.L.: 19, Rue du Saule Trapu, Parc du Moulin de Massy, 91882 Massy Cedex, France, Telephone: (33)1 69 53 71 00, Fax: (33)1 69 53 71 10, E-mail: infos@hamamatsu.fr

United Kingdom: Hamamatsu Photonics UK Limited: 2 Howard Court, 10 Tewin Road, Welwyn Garden City, Hertfordshire AL7 1BW, UK, Telephone: (44)1707-294888, Fax: (44)1707-325777, E-mail: info@hamamatsu.co.uk

North Europe: Hamamatsu Photonics Norden AB: Torshamnsgatan 35 16440 Kista, Sweden, Telephone: (46)8-509 031 00, Fax: (46)8-509 031 01, E-mail: info@hamamatsu.se

Italy: Hamamatsu Photonics Italia S.r.l.: Strada della Moia, 1 int. 6, 20020 Arese (Milano), Italy, Telephone: (39)02-93 58 17 33, Fax: (39)02-93 58 17 41, E-mail: info@hamamatsu.it

China: Hamamatsu Photonics (China) Co., Ltd.: 1201 Tower B, Jiaming Center, 27 Dongsanhuan Beilu, Chaoyang District, 100020 Beijing, P.R.China, Telephone: (86)10-6586-6006, Fax: (86)10-6586-2866, E-mail: hpc@hamamatsu.com.cn

Taiwan: Hamamatsu Photonics Taiwan Co., Ltd.: 8F-3, No. 158, Section2, Gongdao 5th Road, East District, Hsinchu, 300, Taiwan R.O.C. Telephone: (886)3-659-0080, Fax: (886)3-659-0081, E-mail: info@hamamatsu.com.tw