

C11514

Driver circuit for InGaAs linear image sensor (G11135 series, G14006-512DE)

The C11514 is a driver circuit developed for InGaAs linear image sensors (G11135 series, G14006-512DE). The driver circuit consists of an analog video signal processing circuit (16-bit A/D converter), digital control section, interface, and power supply. The circuit converts analog video signals received from an image sensor into digital signals and outputs them. A PC is connected to the circuit through the CameraLink connector (Base Configuration) and used to control the C11514 and retrieve data. The power to the circuit is supplied from the DC jack using the supplied adapter. Further, The C11514 has a BNC connector for external trigger input and a BNC connector for pulse output that can be used to synchronize with external devices.

The C11514 comes with application software (DCam-CL) that runs on Microsoft® Windows® 7 (32-bit, 64-bit) or 10 (32-bit, 64-bit). It can be used to easily operate the C11514 from the PC. The application software includes a C11514 function library (SSDic.DLL) that users can use to develop their own software.

Features

- Built-in 16-bit A/D converter
- Interface: CameraLink
- Supply voltage: Single +5 VDC
- External synchronization function
- Gain and offset adjustment function

Applications

- Non-destructive inspection
- Sorting machines
- G11135 series, G14006-512DE control and data acquisition

Note: Microsoft and Windows are registered trademarks of Microsoft Corporation in the United States and/or other countries.

The C11514 is compatible with the following InGaAs linear image sensors (Sensor sold separately).

Type no.	Total number of pixels	Number of effective pixels	Pixel size [μm (H) \times μm (V)]	Pixel pitch (μm)	Image size (mm)
G11135-256DD	256	256	50 \times 50	50	12.8 \times 0.05
G11135-512DE	512	512	25 \times 25	25	12.8 \times 0.025
G14006-512DE	512	512	25 \times 25	25	12.8 \times 0.025

Structure

Parameter	Specification	Unit
Output type	Digital	-
A/D resolution	16	bit
Interface	CameraLink (Base Configuration)	-

Absolute maximum ratings

Parameter	Symbol	Condition	Value	Unit
Supply voltage	Vdd	Ta=25 °C	0 to +6.0	V
Input signal voltage*1	Vi	Ta=25 °C	0 to Vdd	V
Operating temperature*2	Topr		0 to +50	°C
Storage temperature*2	Tstg		-20 to +70	°C

*1: Trigger input

*2: No dew condensation

When there is a temperature difference between a product and the surrounding area in high humidity environment, dew condensation may occur on the product surface. Dew condensation on the product may cause deterioration in characteristics and reliability.

Note: Exceeding the absolute maximum ratings even momentarily may cause a drop in product quality. Always be sure to use the product within the absolute maximum ratings.

Electrical characteristics (Ta=25 °C)

Parameter	Symbol	Condition	Min.	Typ.	Max.	Unit
Scan rate*3	fop		-	5	-	MHz
Line rate*4	LR	G11135-256DD	-	-	15723	lines/s
		G11135-512DE	-	-	8710	
		G14006-512DE	-	-	8710	
Conversion gain	Gc	Gain 1	-	31.6	-	μV/ADU
		Gain 5	-	158	-	
Trigger output voltage	High level	-	Vdd=+5 V	3.8	-	Vdd
	Low level					
Trigger input voltage	High level	-	Vdd=+5 V	3.5	-	Vdd
	Low level					
Current consumption	I		-	-	420	mA

*3: Fixed

*4: Theoretical line rate value determined by the internal operation timing of the driver circuit.

Electrical and optical characteristics (Ta=25 °C)

Parameter	Symbol	Condition	Min.	Typ.	Max.	Unit
Readout noise*5	Nr	Gain 1	-	15	-	ADU
		Gain 5	-	75	-	
Dynamic range	DR	Gain 1	-	3000	-	-
		Gain 5	-	600	-	
Operating voltage*6	Vop		4.75	5	5.25	V

*5: Integration capacitance: 0.1 pF

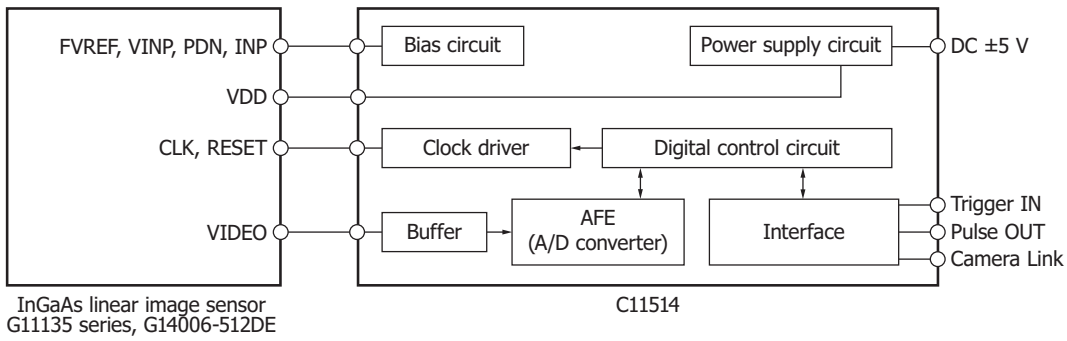
*6: DC power supply

Function

Parameter	Specification
Data acquisition mode	Internal synchronization mode Data is acquired according to the trigger timing from the application software. External synchronization mode The start of integration, integration time, and the number of lines of the acquisition data are controlled by the input pulses to the TRIGGER_IN connector.
Gain adjustment	The output ADU can be varied in the range of 1 to 5 times.
Offset adjustment	This function adds any value to the output ADU by digital setting which can be varied within a specified range.
Pulse output setting	This is used to set the pulse signal to output from the PULSE_OUT connector (output on/off, signal polarity, delay time, pulse width). This signal is output in sync with the start of the integration time of the InGaAs image sensor. The signal output level is H-CMOS compatible.
Integration capacitance switch function	This function changes the integration amplifier's capacitance in the InGaAs image sensor. The integration capacitance can be switched between 0.1 pF and 1 pF. The default value is 0.1 pF. For more details, refer to the G11135 series, G14006-512DE datasheets.
Storage of settings	Settings for data acquisition and the like can be saved in the circuit's internal memory.

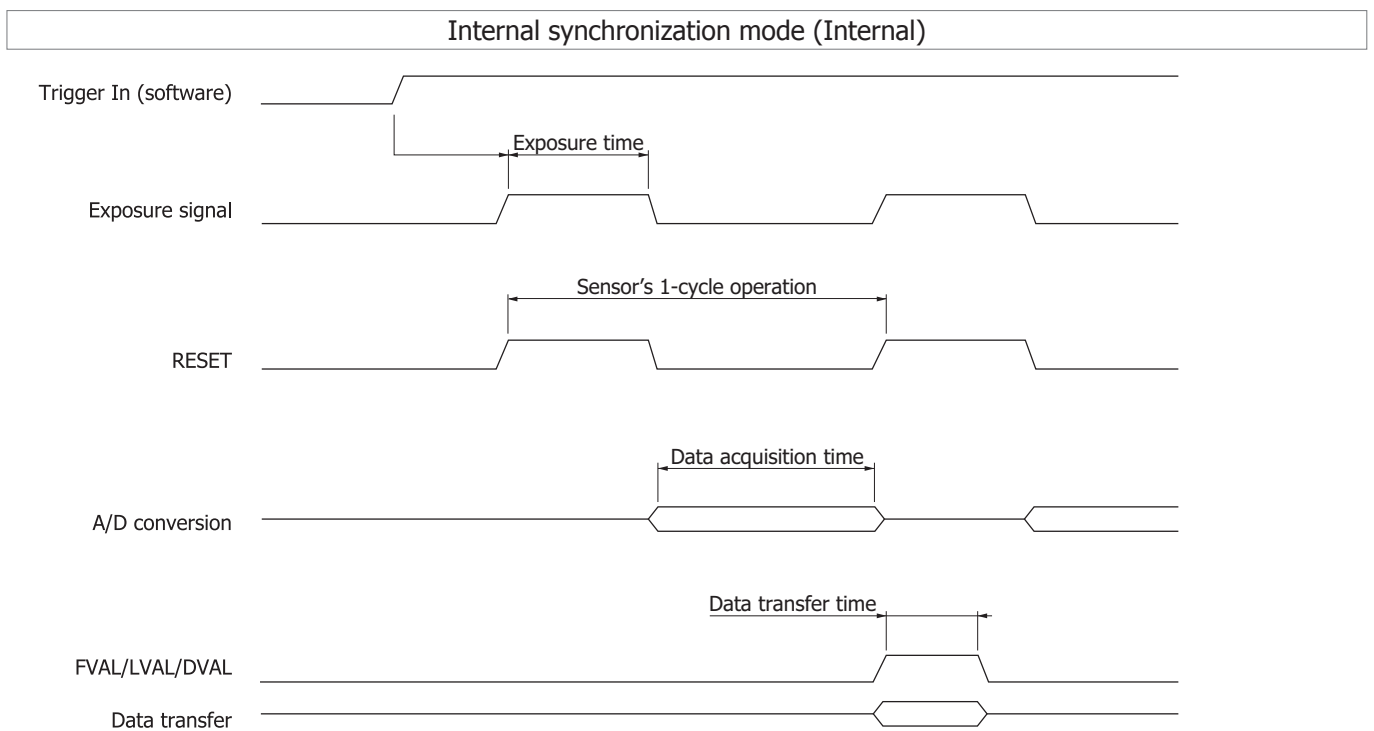
Note: For details on each function, refer to the instruction manual that comes with the product.

Block diagram



KACCC0868EB

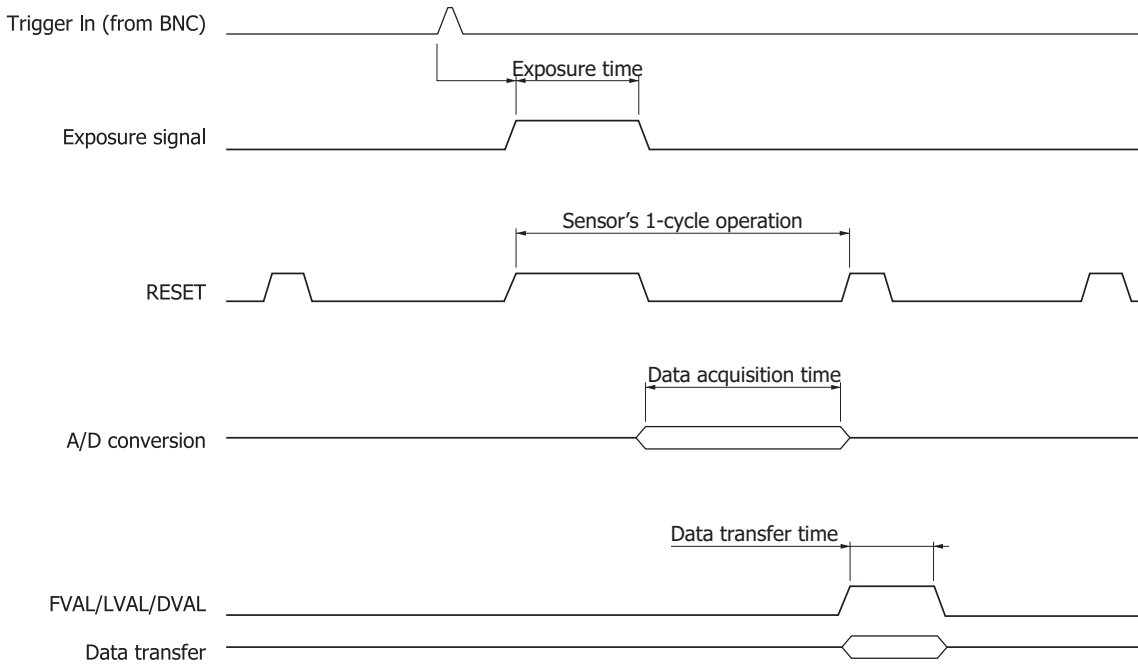
Timing chart



KACCC0861EA

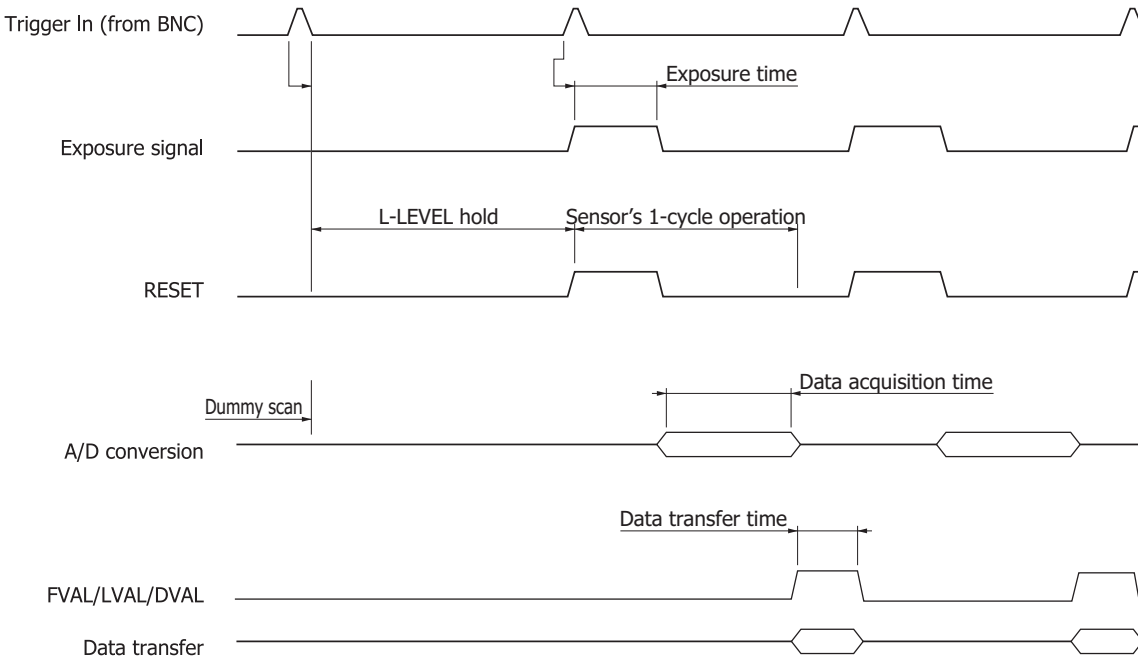
External synchronization mode

External Edge 1



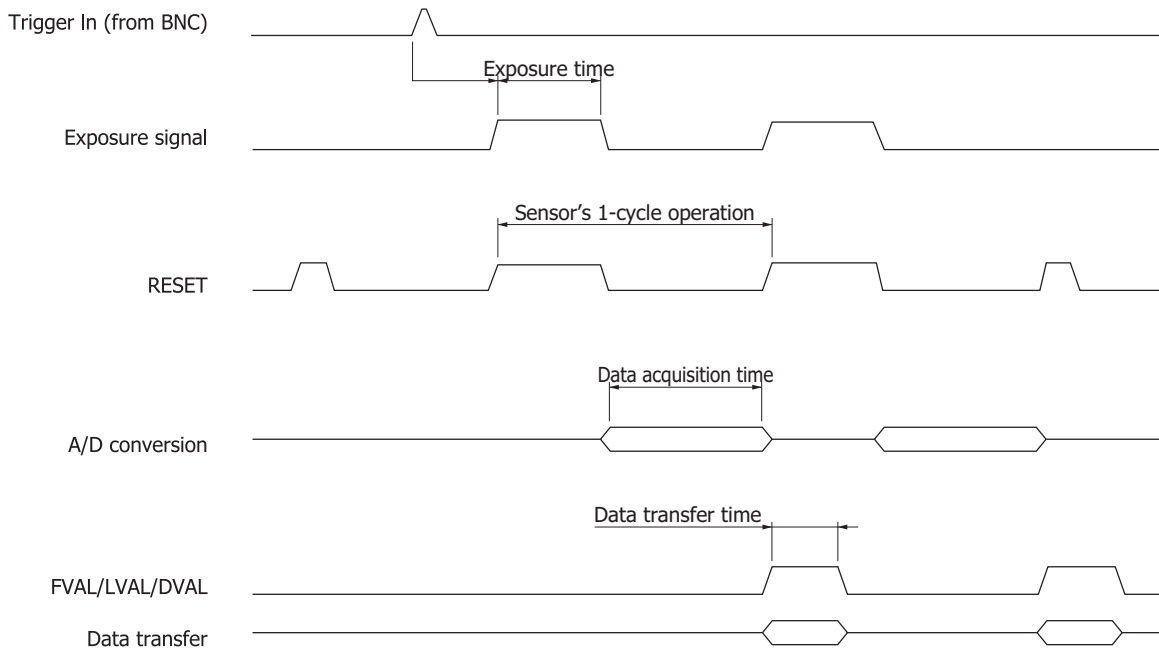
KACCC0862EA

External Edge 2



KACCC0863EA

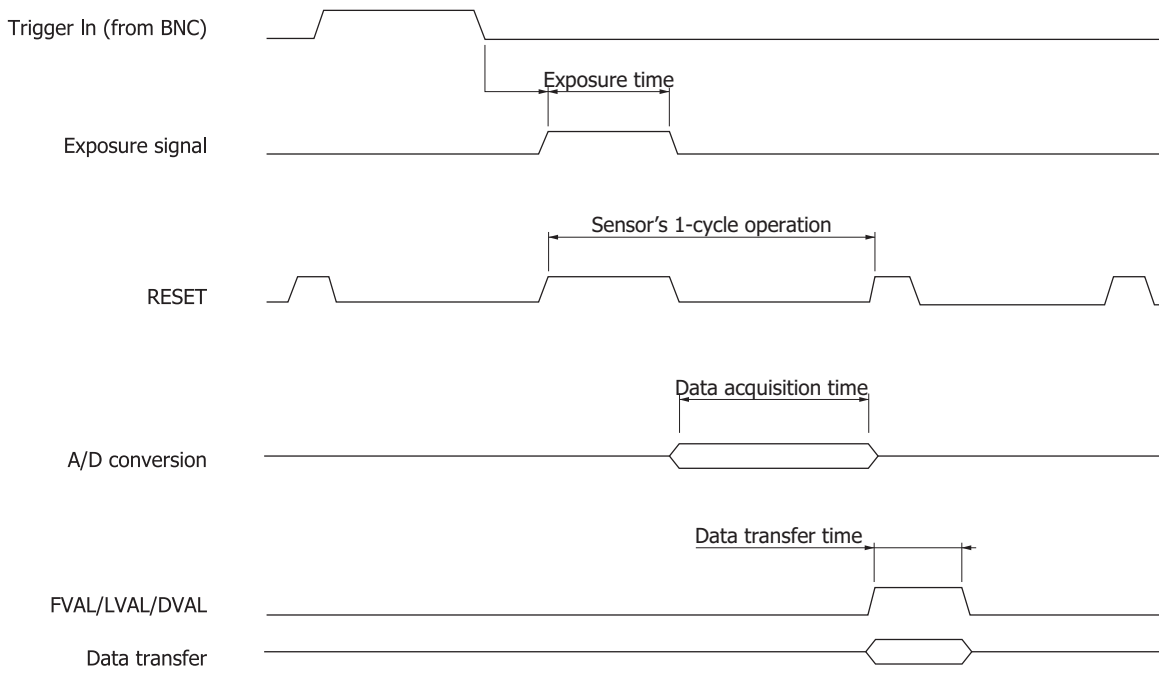
External Edge 3*5



KACCC0864EA

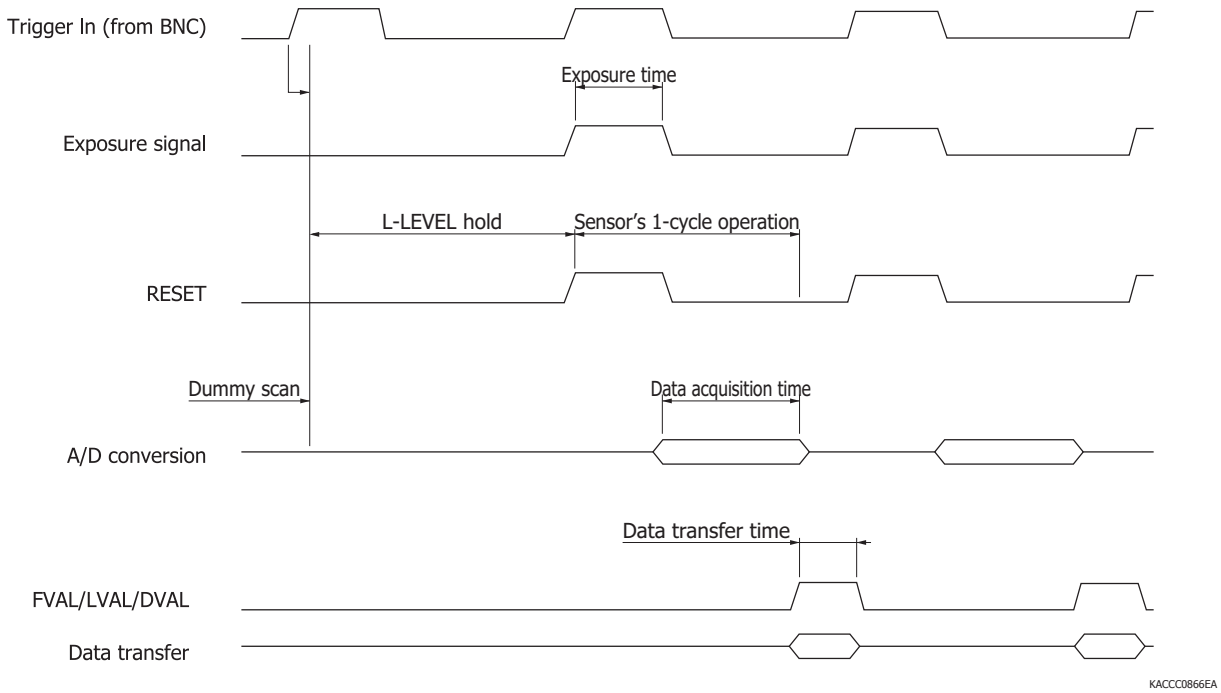
*5: When acquiring 2-line data

External Level 1

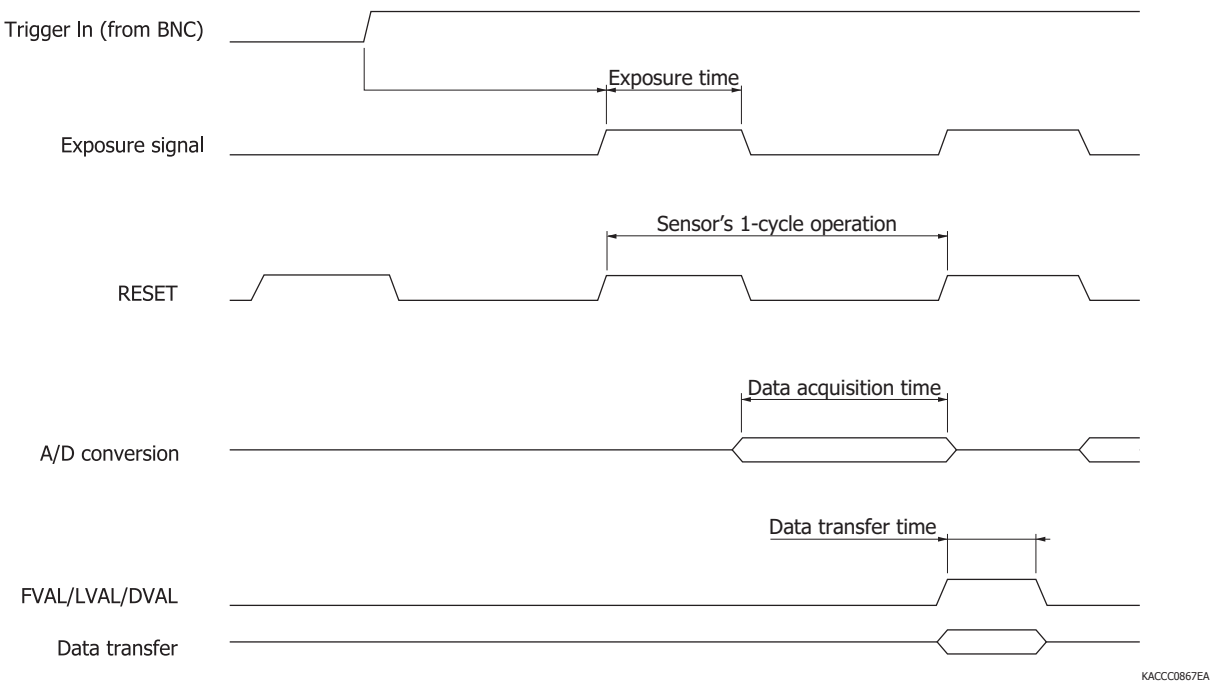


KACCC0865EA

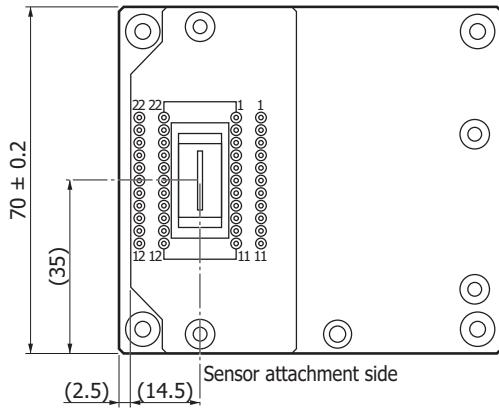
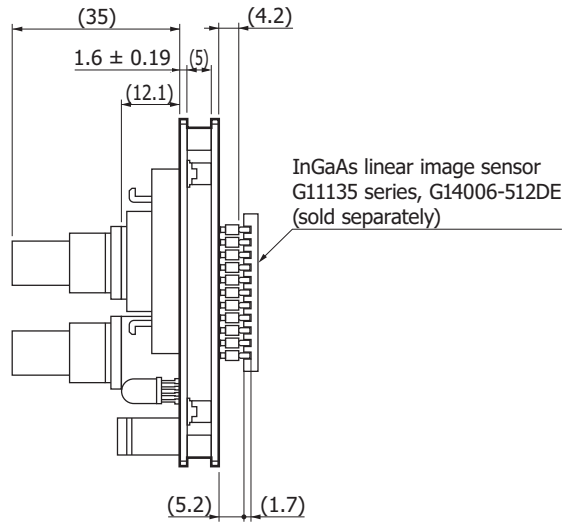
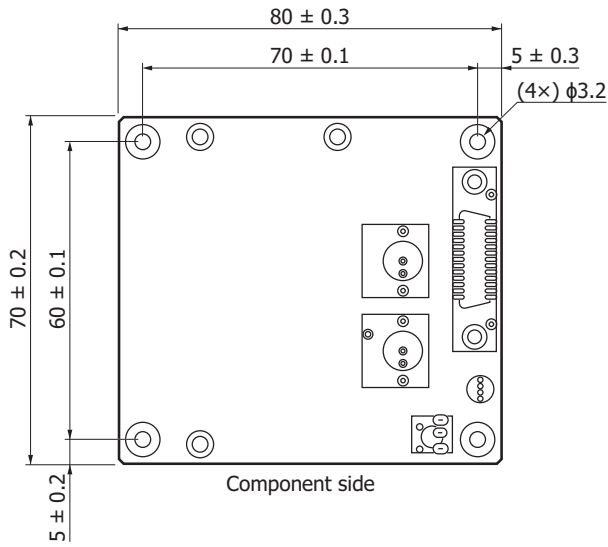
External Level 2



External Gated



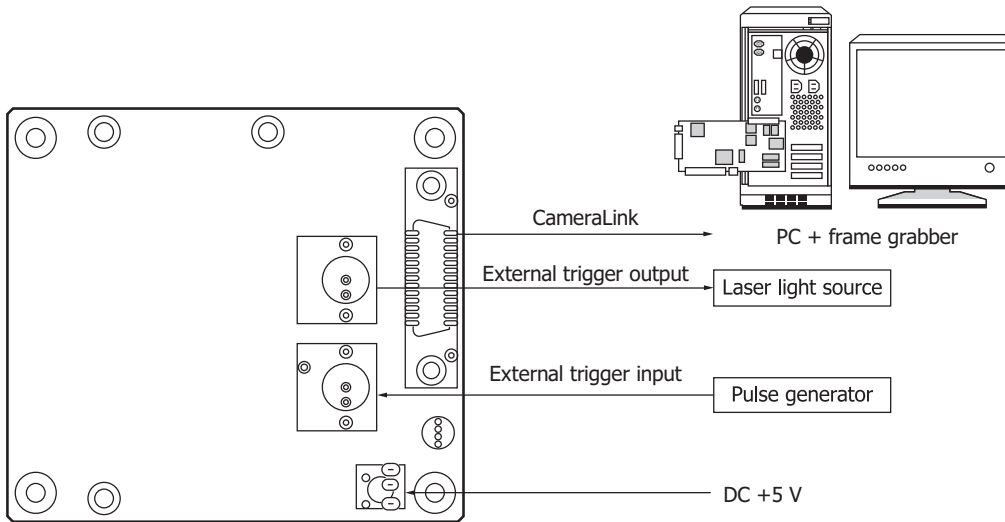
Dimensional outline (unit: mm)



Values in parentheses indicate reference values.
Weight: 70 g (excluding the sensor)

KACCA0396EB

Connection example



[C11514]

KACCC0869EA

Accessories

- Application software (DCam-CL)
- Function library (SSDic.dll)
- AC adapter

NOTE: A National Instruments frame grabber board and NI-IMAQ are required to use the supplied application software (DCam-CL) and function library (SSDic.dll). Operation of the following frame grabber boards has been verified.

Manufacturer	Model No.	Supported OS	Driver
National Instruments	PCIe-1427	Windows® 7 (32-bit, 64-bit), Windows® 10 (32-bit, 64-bit)	National Instruments tool (supplied with NI-IMAQ)
	PCIe-1429		
	PCIe-1430		
	PCIe-1433		

Related information

www.hamamatsu.com/sp/ssd/doc_en.html

- Precautions
- Disclaimer

Compatible product datasheets

Available at our website (www.hamamatsu.com)

- InGaAs linear image sensor G11135-256DD, G11135-512DE, G14006-512DE

Information described in this material is current as of October 2017.

Product specifications are subject to change without prior notice due to improvements or other reasons. This document has been carefully prepared and the information contained is believed to be accurate. In rare cases, however, there may be inaccuracies such as text errors. Before using these products, always contact us for the delivery specification sheet to check the latest specifications.

The product warranty is valid for one year after delivery and is limited to product repair or replacement for defects discovered and reported to us within that one year period. However, even if within the warranty period we accept absolutely no liability for any loss caused by natural disasters or improper product use. Copying or reprinting the contents described in this material in whole or in part is prohibited without our prior permission.

HAMAMATSU

www.hamamatsu.com

HAMAMATSU PHOTONICS K.K., Solid State Division

1126-1 Ichino-cho, Higashi-ku, Hamamatsu City, 435-8558 Japan, Telephone: (81) 53-434-3311, Fax: (81) 53-434-5184

U.S.A.: Hamamatsu Corporation: 360 Foothill Road, Bridgewater, N.J. 08807, U.S.A., Telephone: (1) 908-231-0960, Fax: (1) 908-231-1218, E-mail: usa@hamamatsu.com

Germany: Hamamatsu Photonics Deutschland GmbH: Arzbergerstr. 10, D-82211 Herrsching am Ammersee, Germany, Telephone: (49) 8152-375-0, Fax: (49) 8152-265-8, E-mail: info@hamamatsu.de

France: Hamamatsu Photonics France S.A.R.L.: 19, Rue du Saule Trapu, Parc du Moulin de Massy, 91882 Massy Cedex, France, Telephone: 33-(1) 69 53 71 00, Fax: 33-(1) 69 53 71 10, E-mail: infos@hamamatsu.fr

United Kingdom: Hamamatsu Photonics UK Limited: 2 Howard Court, 10 Tewin Road, Welwyn Garden City, Hertfordshire AL7 1BW, United Kingdom, Telephone: (44) 1707-294888, Fax: (44) 1707-325777, E-mail: info@hamamatsu.co.uk

North Europe: Hamamatsu Photonics Norden AB: Torshamnsgatan 35 16440 Kista, Sweden, Telephone: (46)8-509 031 00, Fax: (46)8-509 031 01, E-mail: info@hamamatsu.se

Italy: Hamamatsu Photonics Italia S.r.l.: Strada della Moia, 1 int. 6, 20020 Arese (Milano), Italy, Telephone: (39)02-93 58 17 33, Fax: (39)02-93 58 17 41, E-mail: info@hamamatsu.it

China: Hamamatsu Photonics (China) Co., Ltd.: B1201, Jiaming Center, No.27 Dongsanhuan Beilu, Chaoyang District, Beijing 100020, China, Telephone: (86) 10-6586-6006, Fax: (86) 10-6586-2866, E-mail: hpc@hamamatsu.com.cn

Taiwan: Hamamatsu Photonics Taiwan Co., Ltd.: 8F-3, No. 158, Section2, Gongdao 5th Road, East District, Hsinchu, 300, Taiwan R.O.C. Telephone: (886)03-659-0080, Fax: (886)03-659-0081, E-mail: info@tw.hpk.co.jp