

# InGaAs multichannel detector heads



C11512 series

Near infrared camera, supports CameraLink

The C11512 series is a multichannel detector head developed for use with an InGaAs area image sensor (G11097 series, G12460-0606S, G12242-0707W). This multichannel detector head contains a signal processing circuit and a temperature control circuit for image sensors. The signal processing circuit consists of an image sensor driver, an analog video signal processor (16-bit + ADC), a digital controller, an interface, and a power supply. It processes analog video signals from an image sensor and outputs them as digital signals. The CameraLink interface allows connection to a PC to make various settings, control the detector head, and acquire data.

The C11512 series comes with application software (Dcam-CL) that runs on Microsoft® Windows® 7 (32-bit, 64-bit)/10 (32-bit, 64-bit) and is specifically programmed to operate the C11512 series from the PC. The application software also includes a function library (SSDic.DLL) for the C11512 series and allows users to develop software using the Microsoft® Visual Studio® 2008 or later and National Instruments IMAQ development environment.

## Features

- **Compact size**
- **Designed for InGaAs area image sensor**  
**C11512: for G11097-0606S, G12460-0606S**  
**C11512-01: for G11097-0707S**  
**C11512-02: G12242-0707W**
- **Supports C-mount lenses**
- **CameraLink interface**

## Applications

- **Thermal imaging**
- **Laser beam profiler**
- **Image detection**
- **Foreign object screening**

Note: Microsoft, Windows and Visual Studio are either registered trademarks or trademarks of Microsoft Corporation in the United States and other countries.

The table below shows InGaAs area image sensors applicable for the C11512 series (sold separately).

Type no.	InGaAs area image sensor						
	Type no.	Spectral response range (μm)	Number of pixels	Pixel size (μm)	Pixel pitch (μm)	Image size (mm)	Cooling
C11512	G11097-0606S	0.95 to 1.7	64 × 64	50 × 50	50	3.2 × 3.2	One-stage TE-cooled
	G12460-0606S	1.12 to 1.9				6.4 × 6.4	
C11512-01	G11097-0707S	0.95 to 1.7	128 × 128	20 × 20	20	2.56 × 2.56	Two-stage TE-cooled
C11512-02	G12242-0707W						

### ▣ Specifications (Typ. Ta=25 °C unless otherwise noted)

Parameter	Condition	C11512	C11512-01	C11512-02	Unit
Video data rate			5		MHz
Frame rate		1000 max.	270 max.	258 max.	frames/s
A/D conversion resolution	65535 ADU	16			bit
Conversion gain	Gain 1	30.52		15.26	μV/ADU
Noise	Gain 1	22		40	ADU
Dynamic range		1 : 2800		1 : 1600	-
Interface		CameraLink (Base configuration)			-
Lens mount adapter		C-mount*2			-
Cooling temperature	Chip temperature, naturally air-cooled	-10 to +20			°C
Supply voltage*1		+4.75 to +5.25			V
Operating temperature	No condensation	+10 to +30			°C
Storage temperature		-20 to +70			°C
Dimensions	Excluding projecting parts	50.5 (L) × 90 (W) × 100 (H)		52.9 (L) × 90 (W) × 100 (H)	mm
Weight		500			g

\*1: Supplied with an AC adapter

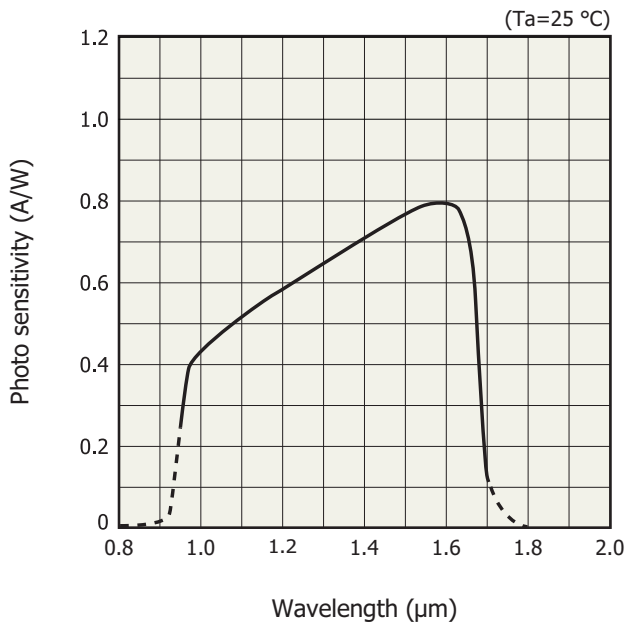
\*2: CS-mount is available by removing the CS-to-C-mount converter.

### ▣ Functions

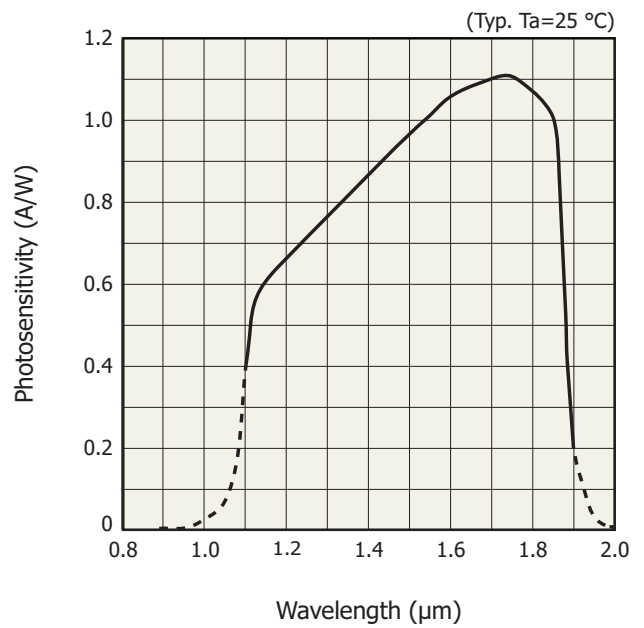
Parameter	Specification
Data acquisition mode	Internal synchronous mode Acquires data at the trigger timing set by application software
	External synchronous mode Controls the start of acquired data integration, integration time, and the number of frames by the input pulse to the TRIGGER IN connector
Gain adjustment	Adjusts the gain in the range from 1 to 5 in 1 step. Default setting is "1".
Offset adjustment	Adjusts the offset in the range from -255 to +255 in 1 step. The actual offset value is obtained by multiplying the "coefficient of about 19.3 counts" to this value. (This coefficient is for when the gain is 1. It is different for other gains.) Default setting is "10".
Pulse output setting	Sets the pulse signals that are output from the PULSE_OUT connector (output ON/OFF, signal polarity, delay time and pulse width) This signal is output in sync with the start of the integration time of the InGaAs image sensor. The signal output level is H-CMOS compatible.
Temperature control	Controls the thermoelectric cooler mounted within the InGaAs image sensor package to keep the image sensor temperature constant. Temperature can be set in the range from -10 to +20 °C in 1 °C step. Default setting is "+10 °C".
Save settings	Stores the settings used during data acquisition in the internal memory of the detector head
GS/RS mode (C11512-02)	GS mode Abbreviation for global shutter mode. Integration is performed on all pixels simultaneously over the same time period. The integration time in this mode is set with the low level period of the image sensor's control signal (MSP).
	RS mode Abbreviation for rolling shutter mode. Integration of pixels on the same horizontal line is performed over the same time period, but the integration start time of the adjacent horizontal line is shifted by one horizontal line readout period. The integration time length is the same for all pixels. The integration time in this mode is equal to the readout time of a single frame.

**Spectral response**

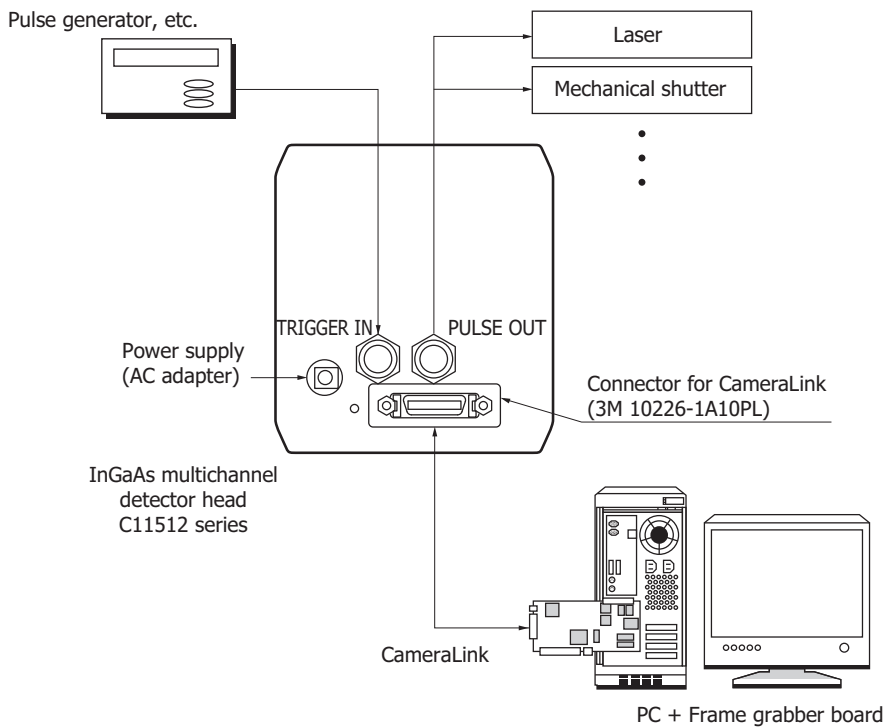
G11097 series, G12242-0707W



G12460-0606S

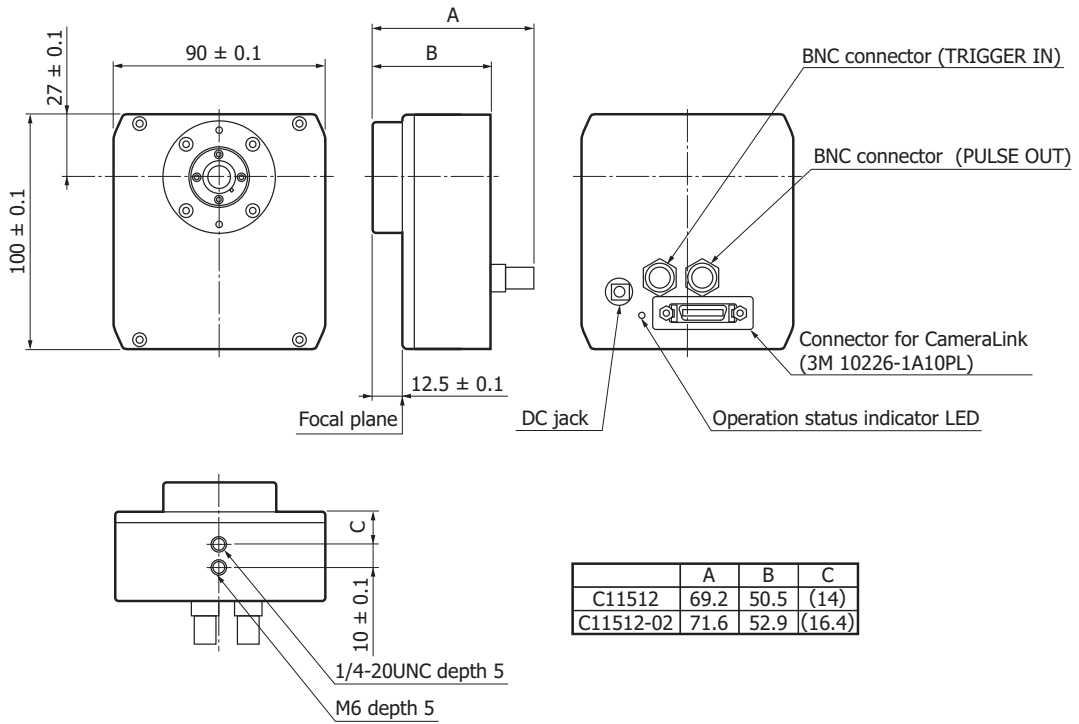


**Connection example**



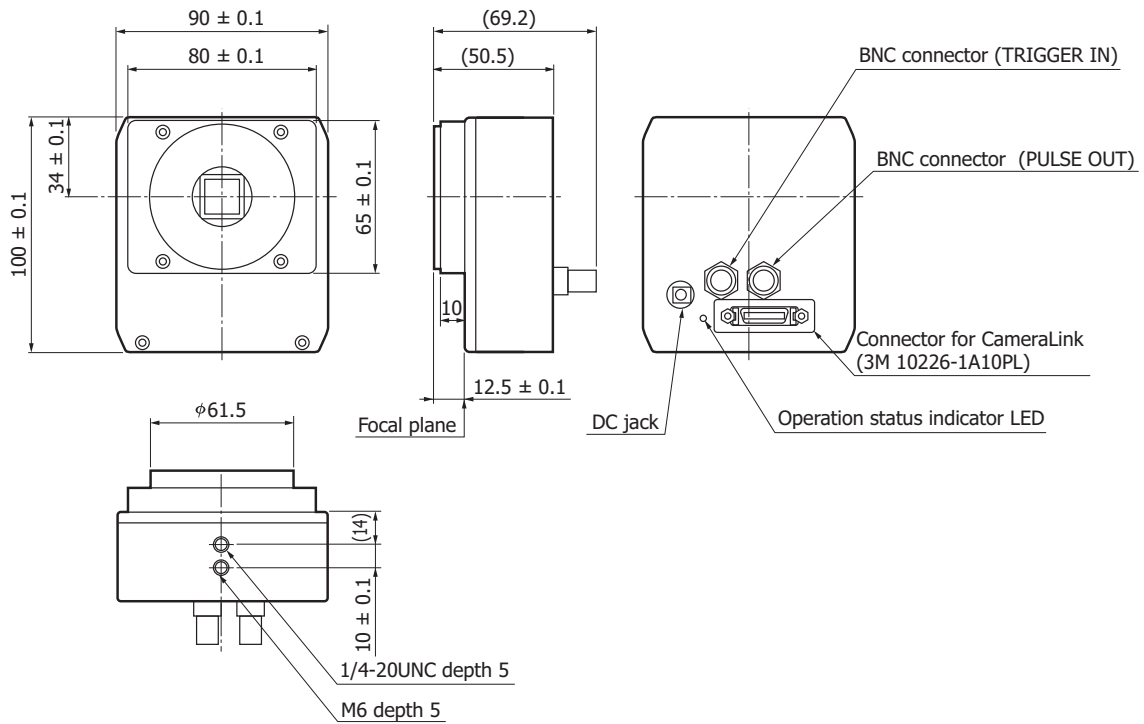
**Dimensional outline (unit: mm)**

C11512/-02



KACCA0293EB

C11512-01



KACCA0294EA

## Accessories

- Application software (DCam-CL)
- Function library (SSDic.dll)
- AC adapter

NOTE: A National Instruments frame grabber board and NI-IMAQ are required to use the supplied application software (DCam-CL) and function library (SSDic.dll). Operation of the following frame grabber boards has been verified.

Manufacturer	Model No.	Supported OS	Driver
National Instruments	PCIe-1427	Windows® 7 (32-bit, 64-bit), Windows® 10 (32-bit, 64-bit)	National Instruments tool (supplied with NI-IMAQ)
	PCIe-1429		
	PCIe-1430		
	PCIe-1433		

## Related information

[www.hamamatsu.com/sp/ssd/doc\\_en.html](http://www.hamamatsu.com/sp/ssd/doc_en.html)

- Precautions
- Disclaimer

Information described in this material is current as of July 2017.

Product specifications are subject to change without prior notice due to improvements or other reasons. This document has been carefully prepared and the information contained is believed to be accurate. In rare cases, however, there may be inaccuracies such as text errors. Before using these products, always contact us for the delivery specification sheet to check the latest specifications.

The product warranty is valid for one year after delivery and is limited to product repair or replacement for defects discovered and reported to us within that one year period. However, even if within the warranty period we accept absolutely no liability for any loss caused by natural disasters or improper product use. Copying or reprinting the contents described in this material in whole or in part is prohibited without our prior permission.

# HAMAMATSU

[www.hamamatsu.com](http://www.hamamatsu.com)

HAMAMATSU PHOTONICS K.K., Solid State Division

1126-1 Ichino-cho, Higashi-ku, Hamamatsu City, 435-8558 Japan, Telephone: (81) 53-434-3311, Fax: (81) 53-434-5184

U.S.A.: Hamamatsu Corporation: 360 Foothill Road, Bridgewater, N.J. 08807, U.S.A., Telephone: (1) 908-231-0960, Fax: (1) 908-231-1218

Germany: Hamamatsu Photonics Deutschland GmbH: Arzbergerstr. 10, D-82211 Herrsching am Ammersee, Germany, Telephone: (49) 8152-375-0, Fax: (49) 8152-265-8

France: Hamamatsu Photonics France S.A.R.L.: 19, Rue du Saule Trapu, Parc du Moulin de Massy, 91882 Massy Cedex, France, Telephone: 33-(1) 69 53 71 00, Fax: 33-(1) 69 53 71 10

United Kingdom: Hamamatsu Photonics UK Limited: 2 Howard Court, 10 Tewin Road, Welwyn Garden City, Hertfordshire AL7 1BW, United Kingdom, Telephone: (44) 1707-294888, Fax: (44) 1707-325777

North Europe: Hamamatsu Photonics Norden AB: Torshamnsgatan 35 16440 Kista, Sweden, Telephone: (46) 8-509-031-00, Fax: (46) 8-509-031-01

Italy: Hamamatsu Photonics Italia S.r.l.: Strada della Moia, 1 int. 6, 20020 Arese (Milano), Italy, Telephone: (39) 02-93581733, Fax: (39) 02-93581741

China: Hamamatsu Photonics (China) Co., Ltd.: B1201, Jiaming Center, No.27 Dongsanhuan Beilu, Chaoyang District, Beijing 100020, China, Telephone: (86) 10-6586-6006, Fax: (86) 10-6586-2866