

OVERVIEW

The H10722 series is a photosensor module containing a metal package PMT, a low-power consumption high-voltage power supply circuit, and a low-noise amplifier. The amplifier converts the PMT current output to a voltage output so that the signal can be easily processed. Also, the amplifier is connected close to the PMT anode output pin to make the signal less affected by external noise. Six types of products are available with a frequency bandwidth of DC to 20 kHz and different sensitivity characteristics such as spectral response ranges.

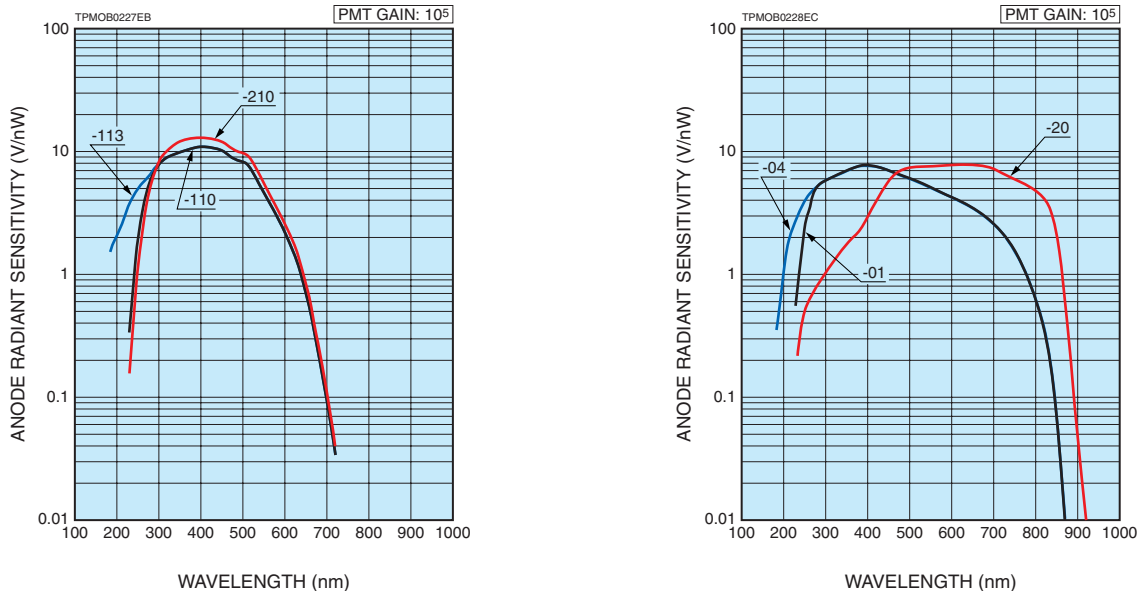


PRODUCT VARIATIONS

Type No.	Spectral response	Photocathode	Window material	Current-to-voltage conversion factor *	Frequency bandwidth *
H10722-110	230 nm to 700 nm	Super bialkali	Borosilicate glass	1 V/ μ A	DC to 20 kHz
H10722-113	185 nm to 700 nm	Super bialkali	UV glass		
H10722-210	230 nm to 700 nm	Ultra bialkali	Borosilicate glass		
H10722-01	230 nm to 870 nm	Multialkali	Borosilicate glass		
H10722-04	185 nm to 870 nm	Multialkali	UV glass		
H10722-20	230 nm to 920 nm	Extended red multialkali	Borosilicate glass		

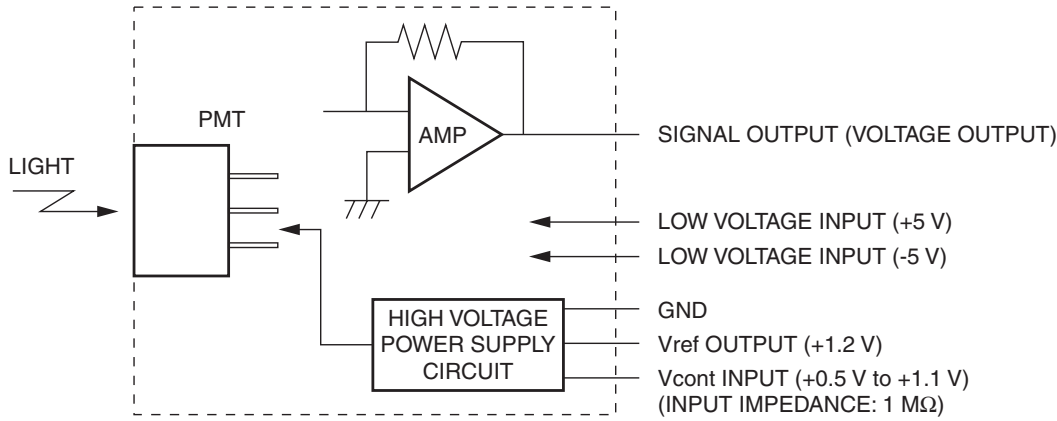
* The amplifier specification can be changed upon request. Feel free to contact our sales office. This product can't be used at vacuum environment or reduced pressure environment.

Figure 1: Typical spectral response



PHOTOSENSOR MODULES H10722 SERIES

Figure 2: Schematic diagram



TPMOC0262EA

SPECIFICATIONS

(at +25 °C)

Parameter			-110, -113	-210	-01, -04	-20	Unit
Input voltage			±4.5 to ±5.5				V
Max. input voltage			±5.5				V
Max. input current *1			+6.2 / -3.5				mA
Max. output signal voltage *2			+4 (Load resistance 10 kΩ)				V
Max. control voltage			+1.1 (Input impedance 1 MΩ)				V
Recommended control voltage adjustment range			+0.5 to +1.1 (Input impedance 1 MΩ)				V
Effective area			φ8				mm
Peak sensitivity wavelength			400	400	400	630	nm
Cathode	Luminous sensitivity	Min.	80	100	100	350	μA/lm
		Typ.	105	135	200	500	
	Blue sensitivity index (CS 5-58)	Typ.	13.5	15.5	—	—	—
	Red / White ratio	Typ.	—	—	0.2	0.45	—
Radiant sensitivity *3		Typ.	110	130	77	78	mA/W
Anode	Luminous sensitivity *4	Min.	8.0×10^7	1.0×10^8	1.0×10^8	3.5×10^8	V/lm
		Typ.	2.1×10^8	2.7×10^8	4.0×10^8	1.0×10^9	
	Radiant sensitivity *3 *4	Typ.	220	260	150	150	V/nW
	Voltage output depending on PMT dark current *4 *5	Typ.	1	1	1	10	mV
Max.		10	10	10	100		
Frequency bandwidth (-3 dB)			DC to 20 kHz				—
Current-to-voltage conversion factor			1				V/μA
Output offset voltage		Typ.	±1				mV
Ripple noise *4 *6 (peak to peak)		Max.	0.5				mV
Settling time *7		Max.	10				s
Operating ambient temperature *8			+5 to +50				°C
Storage temperature *8			-20 to +50				°C
Weight		Typ.	90				g

*1: At ±5 V input voltage, +1.0 V control voltage, and output current equal to dark current

*2: At ±5 V input voltage

*3: Measured at the peak sensitivity wavelength

*4: Control voltage = +1.0 V

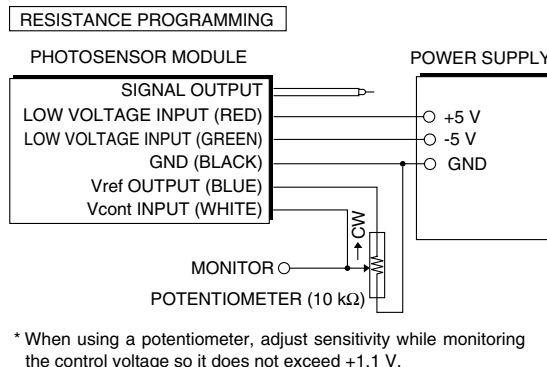
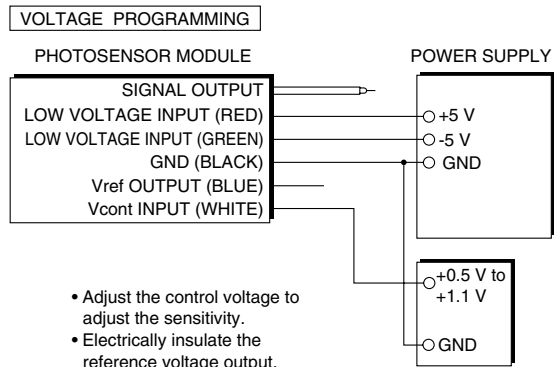
*5: After 30 minutes storage in darkness. The actual output value in darkness is the sum of dark current and offset voltage.

*6: Cable RG-174/U, Cable length 450 mm, Load resistance = 1 MΩ, Load capacitance = 22 pF

*7: The time required for the output to reach a stable level following a change in the control voltage from +1.0 V to +0.5 V.

*8: No condensation

Figure 3: Sensitivity adjustment method



TPMOC0232EA

Figure 4: Typical gain

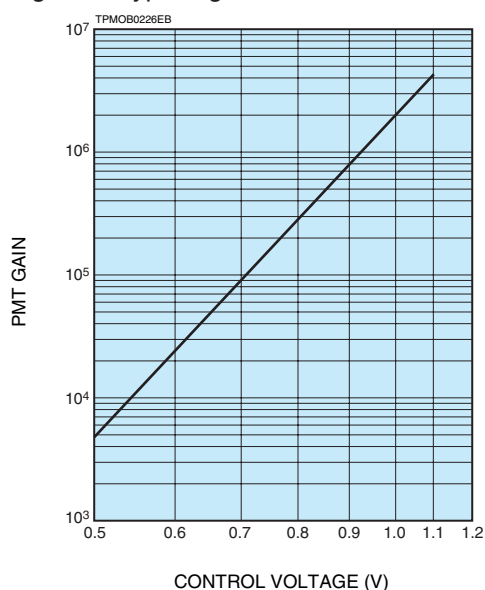


Figure 5: Typical frequency response

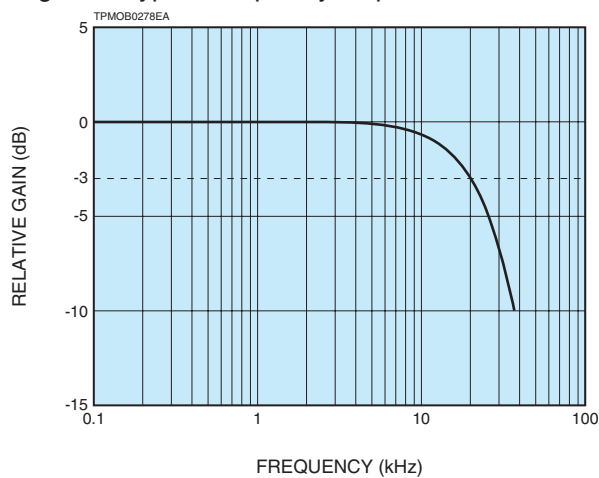


Figure 6: Typical ripple noise

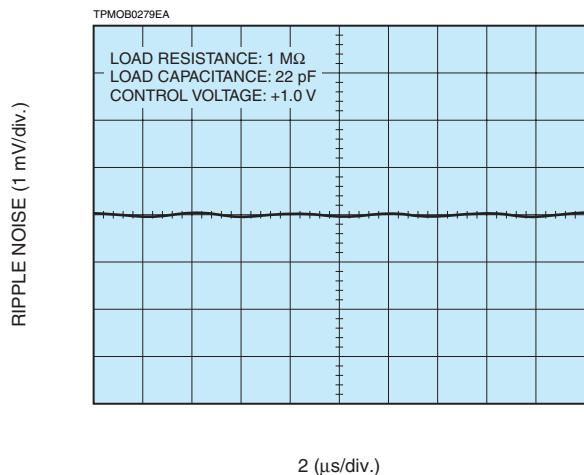
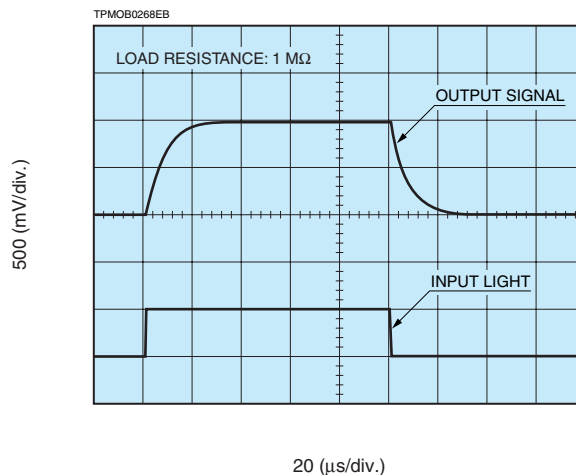
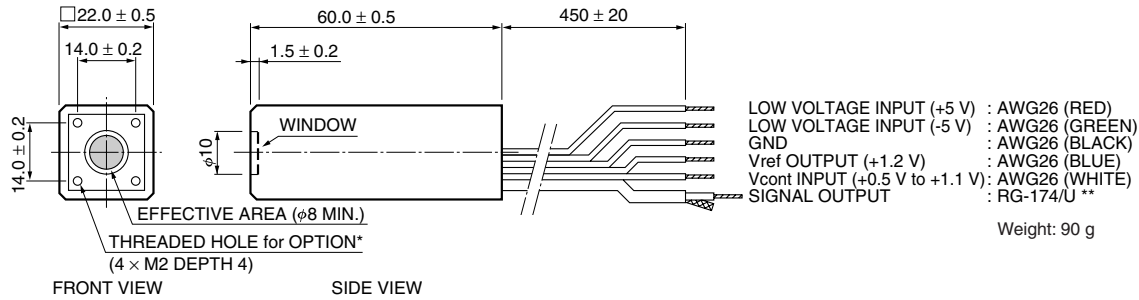


Figure 7: Typical output characteristics



PHOTOSENSOR MODULES H10722 SERIES

Figure 8: Dimensional outlines (Unit: mm)



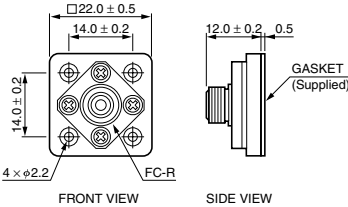
* OPTION: E5776, E5776-51, A9865, A10030-01
 ** OPTION: Available with BNC/SMA connector

TPMOA0063EB

OPTION

OPTICAL FIBER ADAPTER E5776 / E5776-51

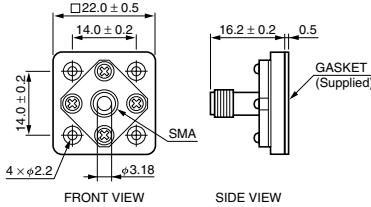
E5776 (FC Type)



* Supplied with M2 screws(4 pcs) for fixing to module

TACCA0055EB

E5776-51 (SMA Type)

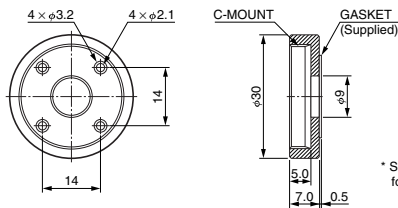


* Supplied with M2 screws(4 pcs) for fixing to module

TACCA00239EB

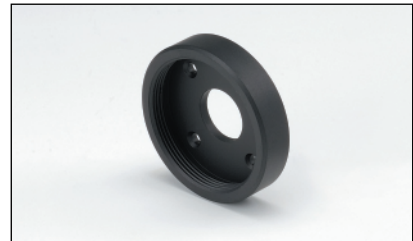


C-MOUNT ADAPTER A9865



* Supplied with M2 screws(4pcs) for fixing to module

TPMOA0056EB



Note: Optical blocks are available for these photosensor modules to make compact optical systems without light leakage.

RELATED PRODUCT

POWER SUPPLY FOR PHOTOMULTIPLIER TUBE MODULES C10709

The C10709 is the power supply for photomultiplier tube modules which has 5 V input voltage.

This unit can provide both the driving voltage and the control voltage. This feature enables users to operate the modules easily.



Parameter	Description / Value	Unit
Output voltage	±5	V
Output current	Max. 2.0 (+5 V), 0.2 (-5 V)	A
Control voltage ^(A) (variable voltage range)	+0.25 to +1.8	V
Input voltage	AC100 to AC240	V

NOTE: ^(A) Adjust within the recommended control voltage range for the photomultiplier tube module being used.

HAMAMATSU PHOTONICS K.K. www.hamamatsu.com

HAMAMATSU PHOTONICS K.K., Electron Tube Division

314-5, Shimokanzo, Iwata City, Shizuoka Pref., 438-0193, Japan, Telephone: (81)539/62-5248, Fax: (81)539/62-2205

U.S.A.: Hamamatsu Corporation: 360 Foothill Road, Bridgewater, N.J. 08807-0910, U.S.A., Telephone: (1)908-231-0960, Fax: (1)908-231-1218 E-mail: usa@hamamatsu.com

Germany: Hamamatsu Photonics Deutschland GmbH: Arzbergerstr. 10, D-82211 Herrsching am Ammersee, Germany, Telephone: (49)8152-375-0, Fax: (49)8152-2658 E-mail: info@hamamatsu.de

France: Hamamatsu Photonics France S.A.R.L.: 19, Rue du Saule Trapu, Parc du Moulin de Massy, 91882 Massy Cedex, France, Telephone: (33)1 69 53 71 00, Fax: (33)1 69 53 71 10 E-mail: info@hamamatsu.fr

United Kingdom: Hamamatsu Photonics UK Limited: 2 Howard Court, 10 Tewin Road, Welwyn Garden City, Hertfordshire AL7 1BW, United Kingdom, Telephone: (44)1707-294888, Fax: (44)1707-325777 E-mail: info@hamamatsu.co.uk

North Europe: Hamamatsu Photonics Norden AB: Torshamnsgatan 35 SE-164 40 Kista, Sweden, Telephone: (46)8-509-031-00, Fax: (46)8-509-031-01 E-mail: info@hamamatsu.se

Italy: Hamamatsu Photonics Italia S.r.l.: Strada della Moia, 1 int. 6, 20020 Arese (Milano), Italy, Telephone: (39)02-93581733, Fax: (39)02-93581741 E-mail: info@hamamatsu.it

China: Hamamatsu Photonics (China) Co., Ltd.: B1201 Jiaming Center, No.27 Dongsanhuan Beilu, Chaoyang District, Beijing 100020, China, Telephone: (86)10-6586-6006, Fax: (86)10-6586-2866 E-mail: hpc@hamamatsu.com.cn

Taiwan: Hamamatsu Photonics Taiwan Co., Ltd.: 8F-3, No.158, Section2, Gongdao 5th Road, East District, Hsinchu, 300, Taiwan R.O.C. Telephone: (886)03-659-0080, Fax: (886)07-811-7238 E-mail: info@tw.hpk.co.jp

TPMO1063E02
NOV. 2016. IP