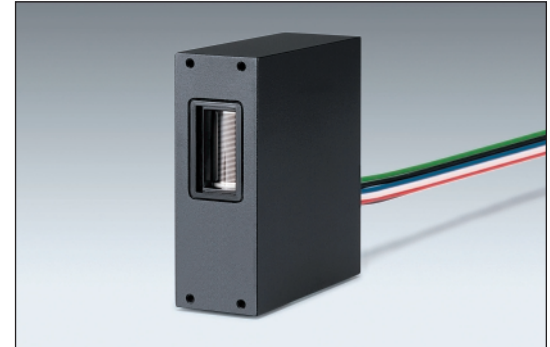


OVERVIEW

The H9306/H9307 series voltage output type photosensor modules contain a high-voltage power supply circuit, low noise amplifier and 13-mm(1/2") diameter side-on photomultiplier tube. The amplifier contained in H9306 series has 1 V/μA of current to voltage conversion factor and 20 kHz of frequency bandwidth. The amplifier contained in H9307 series has 0.1V/μA of current to voltage conversion factor and 200 kHz of frequency bandwidth.



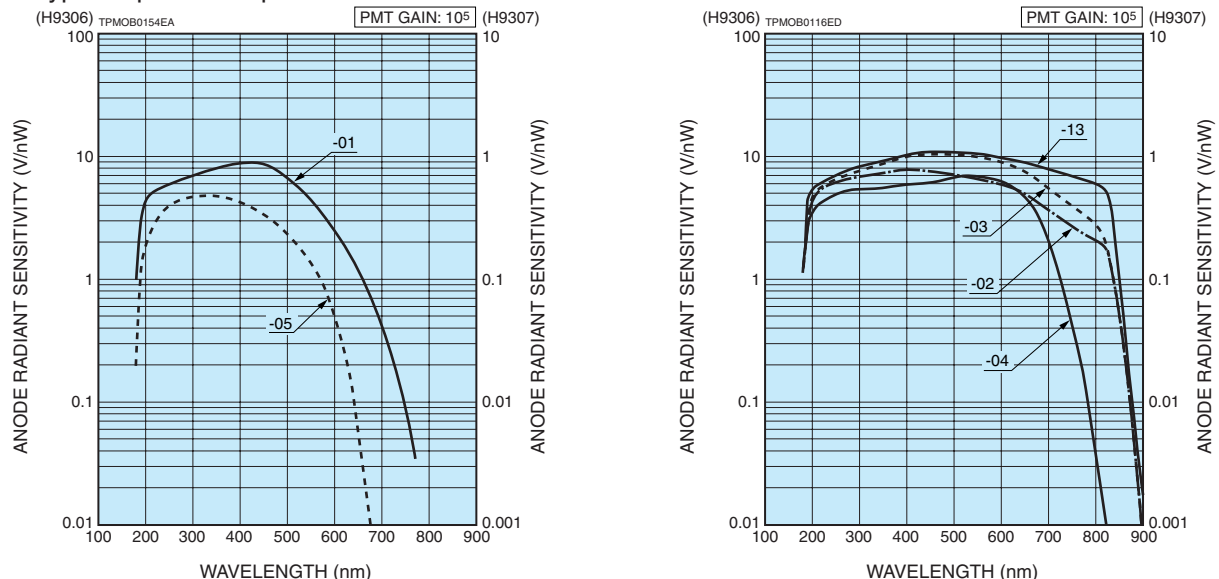
PRODUCT VARIATIONS

Type No.	Spectral response	Photocathode	Window material	Current-to-voltage conversion factor	Frequency bandwidth
H9306-01	185 nm to 750 nm	Bialkali	UV glass	1 V/μA	DC to 20 kHz
H9306-02	185 nm to 900 nm	Multialkali	UV glass		
H9306-03	185 nm to 900 nm	Multialkali	UV glass		
H9306-13	185 nm to 900 nm	Multialkali	UV glass		
H9306-04	185 nm to 830 nm	Multialkali	UV glass		
H9306-05	185 nm to 650 nm	Bialkali	UV glass		

Type No.	Spectral response	Photocathode	Window material	Current-to-voltage conversion factor	Frequency bandwidth
H9307-01	185 nm to 750 nm	Bialkali	UV glass	0.1 V/μA	DC to 200 kHz
H9307-02	185 nm to 900 nm	Multialkali	UV glass		
H9307-03	185 nm to 900 nm	Multialkali	UV glass		
H9307-13	185 nm to 900 nm	Multialkali	UV glass		
H9307-04	185 nm to 830 nm	Multialkali	UV glass		
H9307-05	185 nm to 650 nm	Bialkali	UV glass		

This product can't be used at vacuum environment or reduced pressure environment. Please pay attention when the H9306/H9307 series is used for measuring the light below 190 nm.

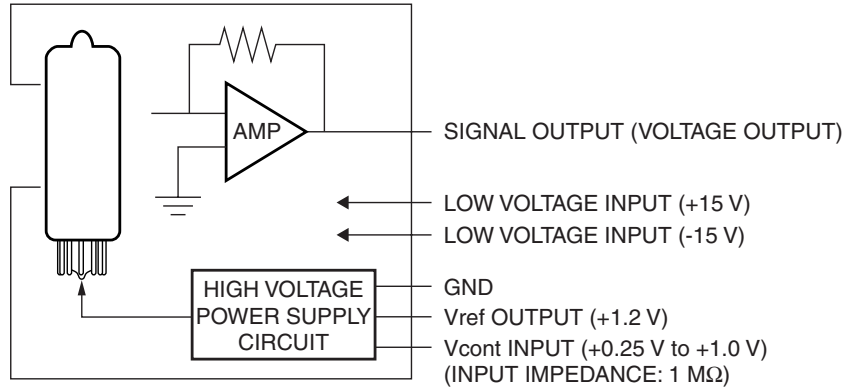
Figure 1: Typical spectral response



Subject to local technical requirements and regulations, availability of products included in this promotional material may vary. Please consult with our sales office. Information furnished by HAMAMATSU is believed to be reliable. However, no responsibility is assumed for possible inaccuracies or omissions. Specifications are subject to change without notice. No patent rights are granted to any of the circuits described herein. ©2015 Hamamatsu Photonics K.K.

PHOTOSENSOR MODULES H9306/H9307 SERIES

Figure 2: Schematic diagram



SPECIFICATIONS

(at +25 °C)

Parameter		H9306/H9307 Series						Unit	
Suffix		-01	-02	-03	-13	-04	-05	—	
Input voltage		±11.5 to ±15.5						V	
Max. input voltage		±18						V	
Max. input current *1		+9/-1 (H9306), +15/-8 (H9307)						mA	
Max. control voltage		+1.2 (Input impedance: 1 MΩ)						V	
Recommended control voltage adjustment range		+0.25 to +1.0 (Input impedance: 1 MΩ)						V	
Effective area		3.7 × 13.0						mm	
Peak sensitivity wavelength		420	400	450	450	530	340	nm	
Cathode	Luminous sensitivity	Min.	80	200	350	620	140	20	μA/lm
		Typ.	120	300	500	650	200	40	
	Blue sensitivity index (CS 5-58)	Typ.	10	—	—	15	—	5	—
	Red/White ratio	Typ.	—	0.3	0.4	0.43	0.15	—	—
Radiant sensitivity *2		Typ.	90	77	105	109	70	48	mA/W
Offset voltage		Typ.	±3						mV
Ripple noise *3 *4 (peak to peak)		Max.	0.8						mV
Settling time *5		Max.	10						s
Operating ambient temperature *6		+5 to +50						°C	
Storage temperature *6		-20 to +50						°C	
Weight		110						g	

Parameter		H9306 Series (with internal 20 kHz amp)						Unit		
Suffix		-01	-02	-03	-13	-04	-05	—		
Anode	Luminous sensitivity *3	Min.	1.0 × 10 ⁸	4.0 × 10 ⁸	1.0 × 10 ⁹	4.0 × 10 ⁸	3.0 × 10 ⁸	5.0 × 10 ⁷	V/lm	
		Typ.	7.0 × 10 ⁸	1.2 × 10 ⁹	2.0 × 10 ⁹	2.6 × 10 ⁹	7.0 × 10 ⁸	3.0 × 10 ⁸		
	Radiant sensitivity *2 *3		Typ.	520	310	420	430	250	360	V/nW
	Voltage output due to PMT dark current *3 *7		Typ.	1	1	2	3	0.1	0.5	mV
Max.		10	10	10	10	1	5			
Max. output signal voltage		+10 (Load resistance 10 kΩ)						V		
Current-to-voltage conversion factor		1						V/μA		

Parameter		H9307 Series (with internal 200 kHz amp)						Unit		
Suffix		-01	-02	-03	-13	-04	-05	—		
Anode	Luminous sensitivity *3	Min.	1.0 × 10 ⁷	4.0 × 10 ⁷	1.0 × 10 ⁸	4.0 × 10 ⁷	3.0 × 10 ⁷	5.0 × 10 ⁶	V/lm	
		Typ.	7.0 × 10 ⁷	1.2 × 10 ⁸	2.0 × 10 ⁸	2.6 × 10 ⁸	7.0 × 10 ⁷	3.0 × 10 ⁷		
	Radiant sensitivity *2 *3		Typ.	52	31	42	43	25	36	V/nW
	Voltage output due to PMT dark current *3 *7		Typ.	0.1	0.1	0.2	0.3	0.01	0.05	mV
Max.		1	1	1	1	0.1	0.5			
Max. output signal voltage		+1 (Load resistance 10 kΩ)						V		
Current-to-voltage conversion factor		0.1						V/μA		

*1: Input voltage = +15 V, Control voltage = +1.0 V, Dark current output

*2: Measured at the peak sensitivity wavelength

*3: Control voltage = +1.0 V

*4: Cable RG-174/U, Cable length 450 mm, Load resistance = 1 MΩ, Load capacitance = 22 pF

*5: The time required for the output to reach a stable level following a change in the control voltage from +1.0 V to +0.5 V.

*6: No condensation

*7: After 30 minutes storage in darkness

Figure 3: Sensitivity adjustment method

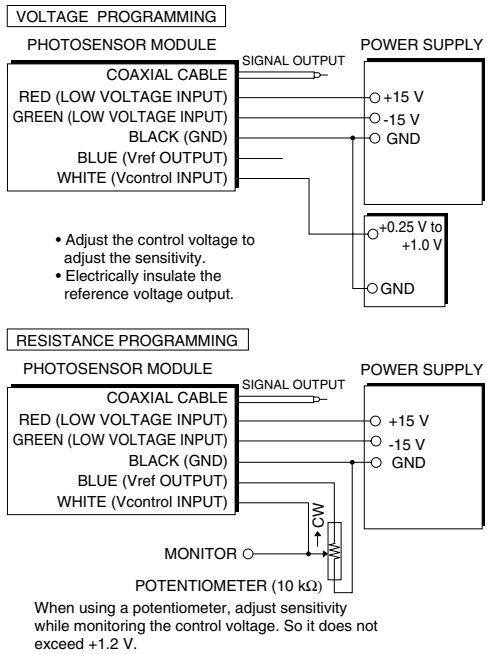


Figure 4: Gain

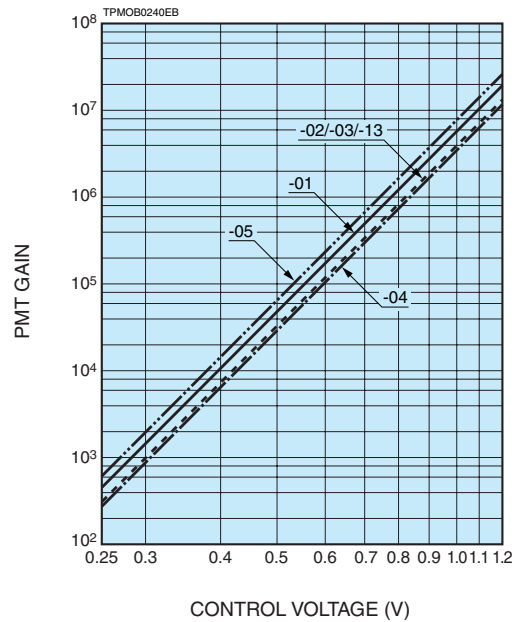


Figure 5: Frequency characteristics

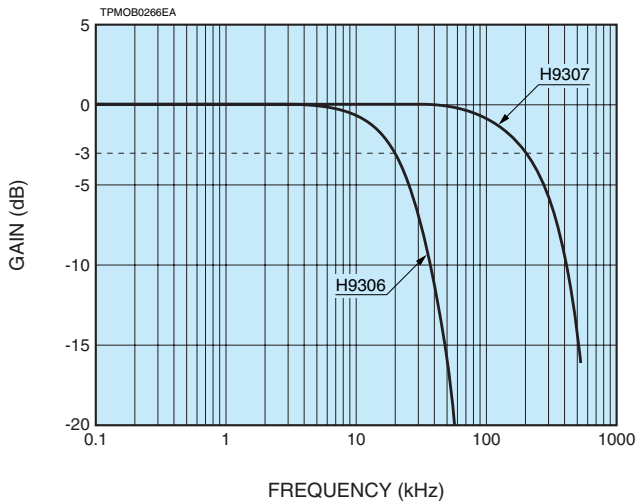


Figure 6: Ripple noise

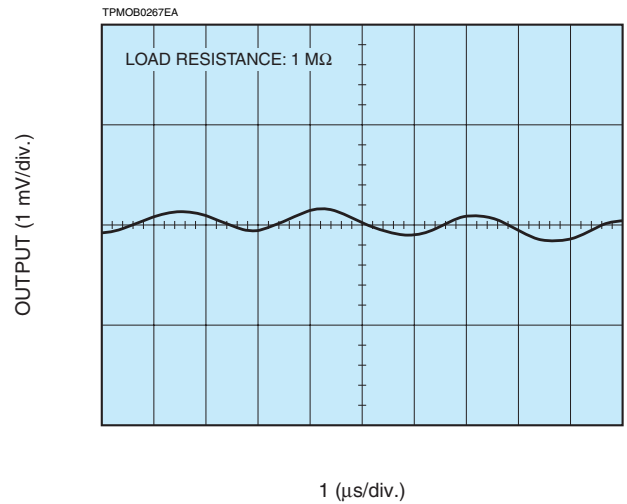
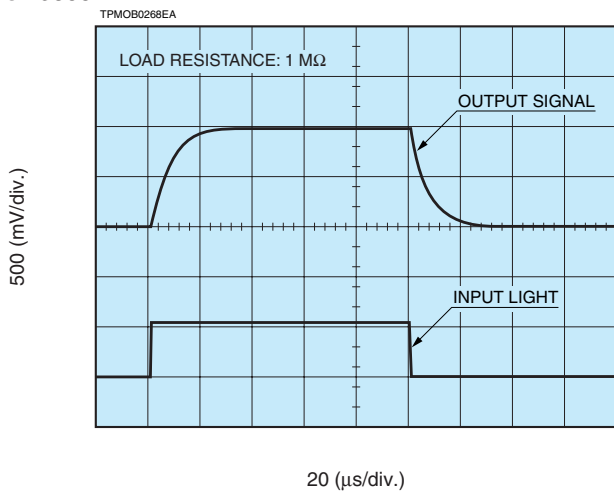
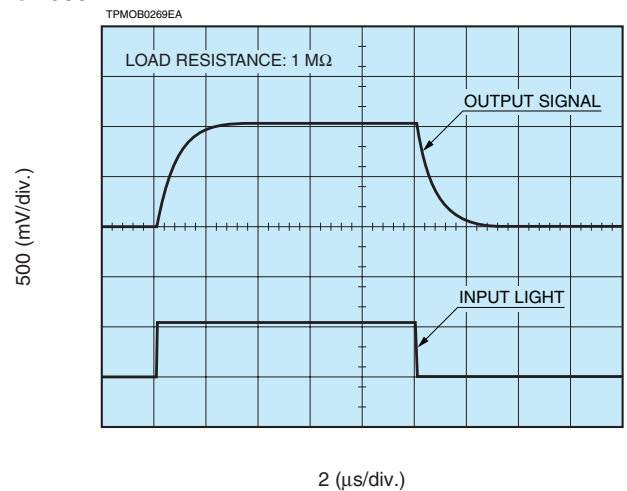


Figure 7: Output characteristics

●H9306

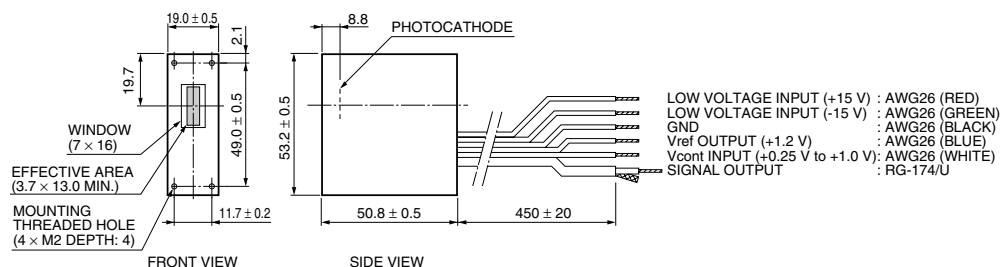


●H9307



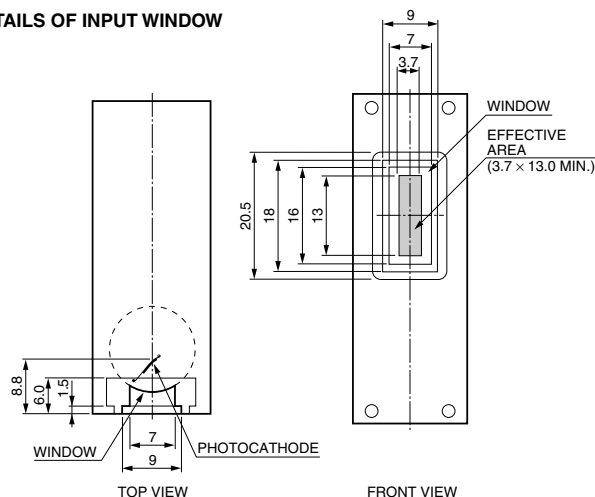
PHOTOSENSOR MODULES H9306/H9307 SERIES

Figure 8: Dimensional outlines (Unit: mm)



TPMOA0013EI

DETAILS OF INPUT WINDOW



TPMOA0018EE

RELATED PRODUCT

POWER SUPPLY FOR PHOTOMULTIPLIER TUBE MODULES C7169

The C7169 is the power supply for photomultiplier tube modules which has 15 V input voltage.

This unit can provide both the driving voltage and the control voltage. This feature enables users to operate the modules easily.



Parameter	Description / Value	Unit
Output voltage	±15	V
Output current	Max. 0.3 (+15 V), 0.2 (-15 V)	A
Control voltage ^(A) (variable voltage range)	+0.25 to +1.8	V
Terminal connection method	Binding post	—
Input voltage	AC100 to AC240	V
Operating ambient temperature	+5 to +50	°C
Dimensions (W × H × D) ^(B)	147 × 61 × 200	mm
Weight	Approx. 1.2	kg

NOTE: ^(A)Adjust within the recommended control voltage range for the photomultiplier tube module being used.

^(B)Excluding protuberance

HAMAMATSU PHOTONICS K.K. www.hamamatsu.com

HAMAMATSU PHOTONICS K.K., Electron Tube Division

314-5, Shimokanzo, Iwata City, Shizuoka Pref., 438-0193, Japan, Telephone: (81)539/62-5248, Fax: (81)539/62-2205

U.S.A.: Hamamatsu Corporation, 360 Foothill Road, Bridgewater, N.J. 08807-0910, U.S.A., Telephone: (1)908-231-0960, Fax: (1)908-231-1218 E-mail: usa@hamamatsu.com

Germany: Hamamatsu Photonics Deutschland GmbH: Arzbergerstr. 10, D-82211 Herrsching am Ammersee, Germany, Telephone: (49)8152-375-0, Fax: (49)8152-2658 E-mail: info@hamamatsu.de

France: Hamamatsu Photonics France S.A.R.L.: 19, Rue du Saule Trapu, Parc du Moulin de Massy, 91882 Massy Cedex, France, Telephone: (33)1 69 53 71 00, Fax: (33)1 69 53 71 10 E-mail: infos@hamamatsu.fr

United Kingdom: Hamamatsu Photonics UK Limited: 2 Howard Court, 10 Tewin Road, Welwyn Garden City, Hertfordshire AL7 1BW, United Kingdom, Telephone: (44)1707-294888, Fax: (44)1707-325777 E-mail: info@hamamatsu.co.uk

North Europe: Hamamatsu Photonics Norden AB: Torshamnsgatan 35 SE-164 40 Kista, Sweden, Telephone: (46)8-509-031-00, Fax: (46)8-509-031-01 E-mail: info@hamamatsu.se

Italy: Hamamatsu Photonics Italia S.r.l.: Strada della Moia, 1 int. 6, 20020 Arese (Milano), Italy, Telephone: (39)02-93581733, Fax: (39)02-93581741 E-mail: info@hamamatsu.it

China: Hamamatsu Photonics (China) Co., Ltd.: B1201 Jiaming Center, No.27 Dongsanhuan Beilu, Chaoyang District, Beijing 100020, China, Telephone: (86)10-6586-6006, Fax: (86)10-6586-2866 E-mail: hpc@hamamatsu.com.cn

TPMO1069E01
SEPT. 2015. IP