



P6606 series

Thermoelectrically cooled detectors capable of long-term measurements

Features

- Thermoelectric cooling ensures high speed and high sensitivity up to 6.5 μm .
- Photoconductive element that changes electrical resistance by input of IR radiation
- Easy-to-use detector/preamp modules are also available.

Applications

- Environment measurements (gas analysis, etc.)
- Radiation thermometers (5 μm band)
- FTIR
- IR laser detection

Related products (sold separately)

- Heatsink for one/two-stage TE-cooled type **A3179-01**
- Heatsink for three-stage TE-cooled type **A3179-04**
- Temperature controller **C1103-05 (-75 to -25 °C)**
C1103-07 (-30 to +20 °C)
- Preamp **C5185-02**
- Infrared detector module with preamp **P4631-03 (P6606-310)**

Specifications / Absolute maximum ratings

Type no.	Dimensional outline/ Window material*1	Package	Cooling	Photosensitive area (mm)	Absolute maximum ratings					
					Incident light level (mW)	Thermistor power dissipation (mW)	TE-cooler power dissipation (A)	Allowable current (mA)	Operating temperature Topr (°C)	Storage temperature Tstg (°C)
P6606-110	①/S	TO-8	One-stage TE-cooled	1 × 1	400	0.2	1.5	40	-40 to +60	-55 to +60
P6606-210			Two-stage TE-cooled		100		1.0			
P6606-305	②/S	TO-3	Three-stage TE-cooled	0.5 × 0.5	10	1.0	20	60		
P6606-310				1 × 1			40			
P6606-320				2 × 2			60			

*1: Window material S=Sapphire glass

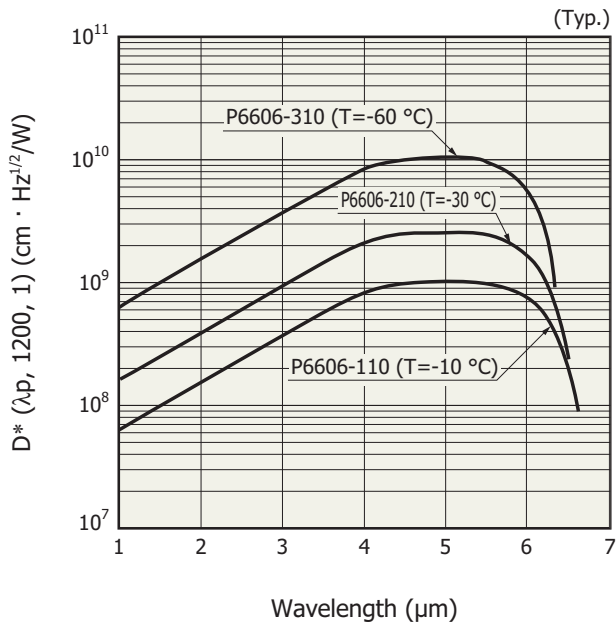
Note: Exceeding the absolute maximum ratings even momentarily may cause a drop in product quality. Always be sure to use the product within the absolute maximum ratings.

Electrical and optical characteristics (Typ. unless otherwise noted)

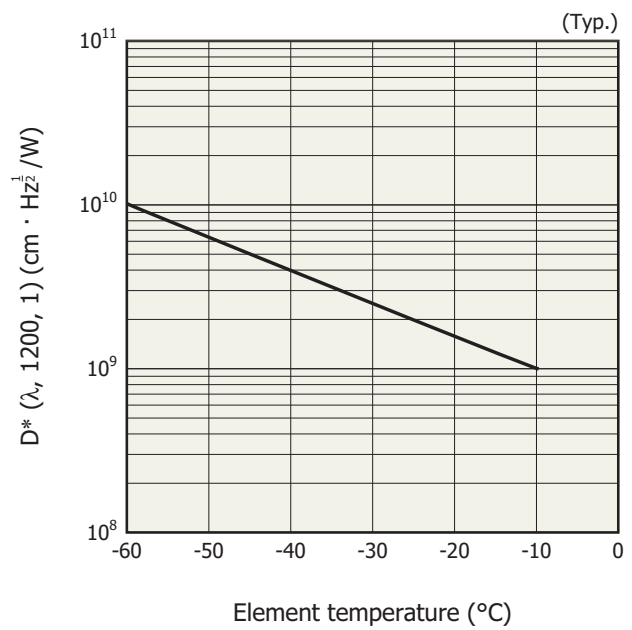
Type no.	Measurement condition Element temperature T (°C)	Peak sensitivity wavelength λ_p (μm)	Cutoff wavelength λ_c (μm)	Photo-sensitivity*2 S $\lambda = \lambda_p$ (V/W)	D* (500, 1200, 1)		D* (λ_p , 1200, 1) ($\text{cm} \cdot \text{Hz}^{1/2}/\text{W}$)	Rise time tr 0 to 63% (μs)	Dark resistance Rd (Ω)	Thermistor resistance Tc=25 °C (k Ω)
					Min. ($\text{cm} \cdot \text{Hz}^{1/2}/\text{W}$)	Typ. ($\text{cm} \cdot \text{Hz}^{1/2}/\text{W}$)				
P6606-110	-10	5.5	6.7	10	7×10^7	2×10^8	1×10^9	0.4	20	1.3
P6606-210	-30		6.5	50	1.5×10^8	5×10^8	2.5×10^9		25	
P6606-305	-60		6.3	2500	1×10^9	2×10^9	1×10^{10}		150	
P6606-310				650	1×10^9	2×10^9	1×10^{10}		80	
P6606-320				150	5×10^8	1×10^9	5×10^9		80	

*2: Photosensitivity changes with the bias current. The values in the above table are measured with the optimum bias current.

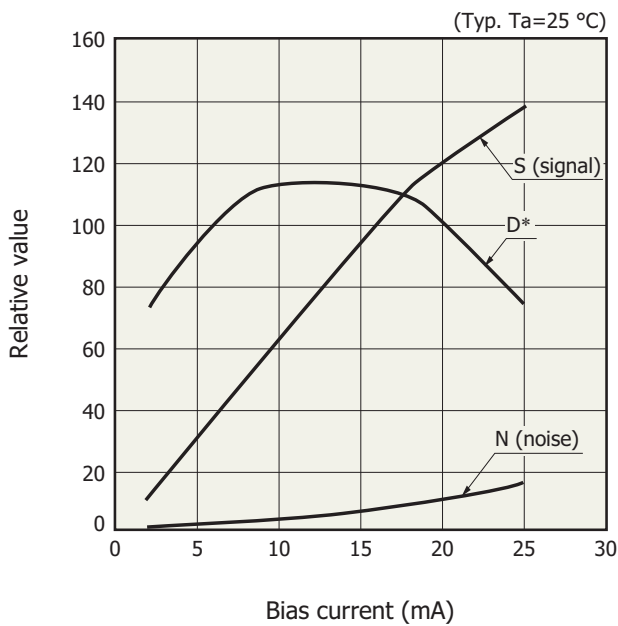
Spectral response



D^* vs. element temperature (P6606-310)

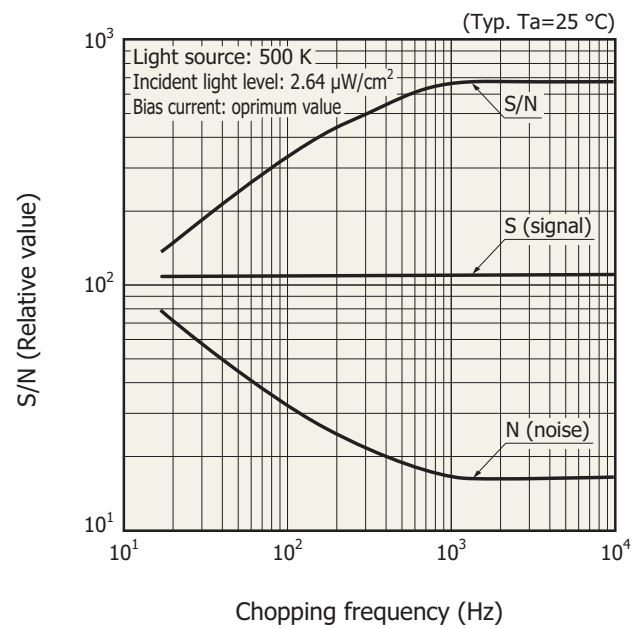


S/N vs. bias current (P6606-310)



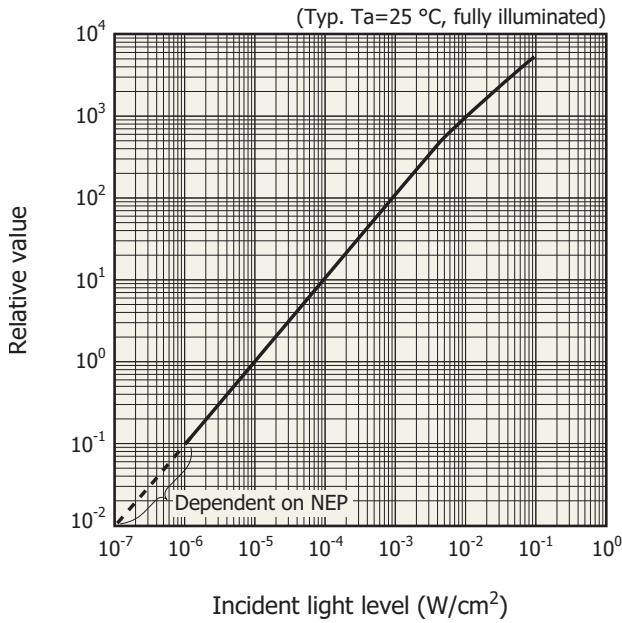
Bias current must be in the range where D^* is constant.

S/N vs. chopping frequency



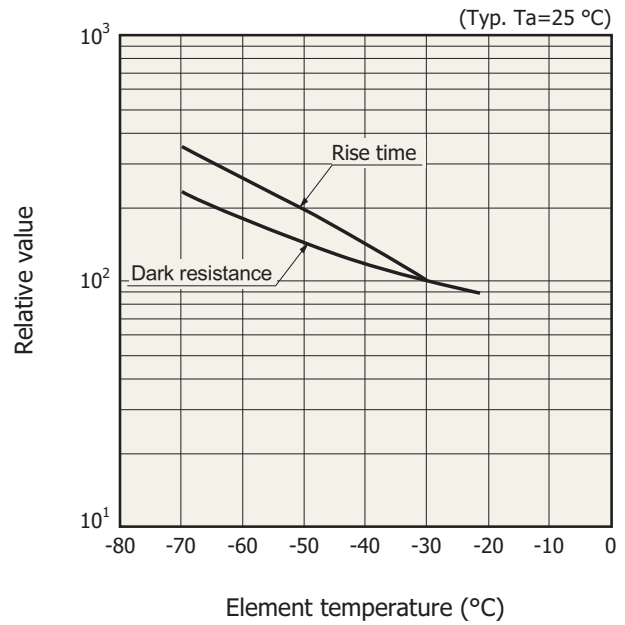
Increasing the chopping frequency reduces the $1/f$ noise and results in an S/N improvement. The S/N can also be improved by narrowing the noise bandwidth using a lock-in amplifier.

Linearity



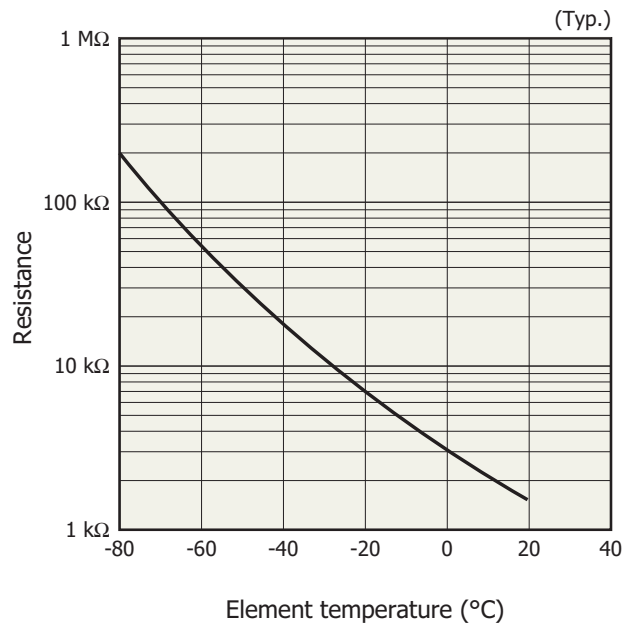
KIRDB0462EA

Dark resistance, rise time vs. element temperature



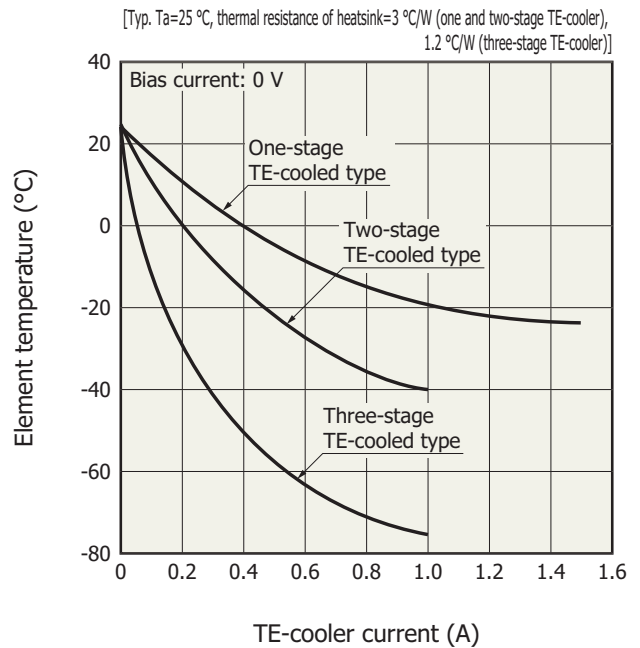
KIRDB0463EA

Thermistor temperature characteristic



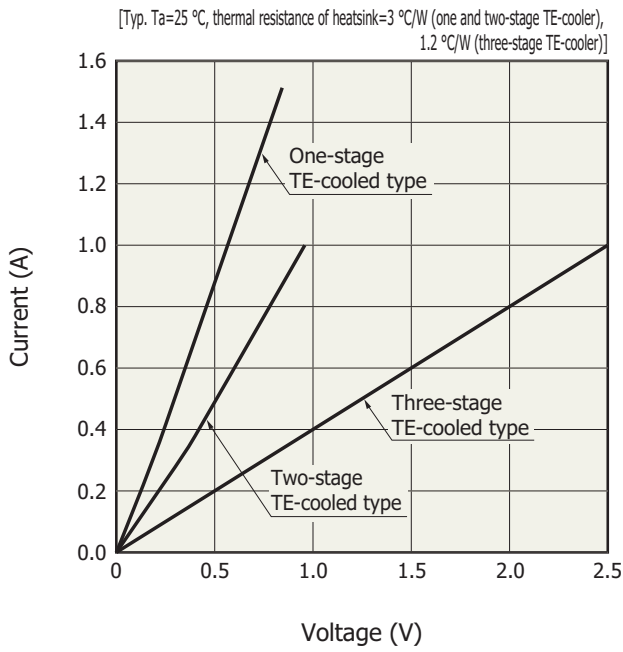
KIRDB0168EA

Cooling characteristics of TE-cooler



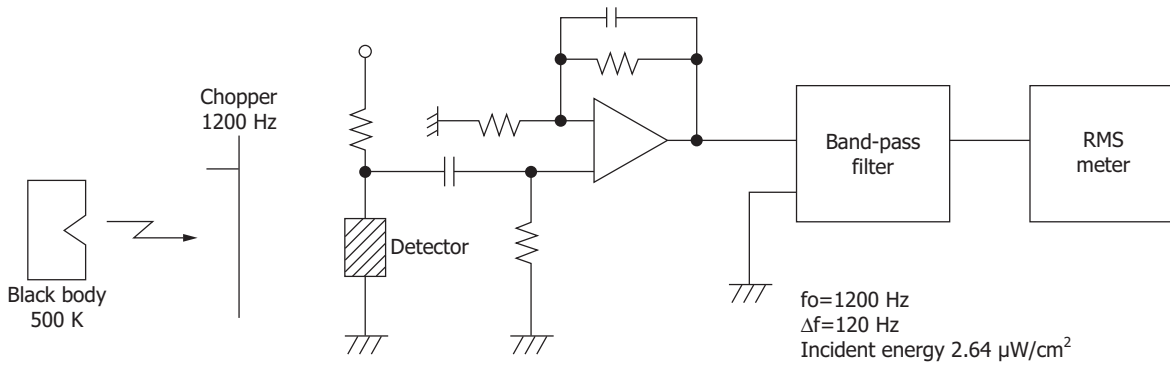
KIRDB0177EB

Current vs. voltage of TE-cooler



KIRDB0500EA

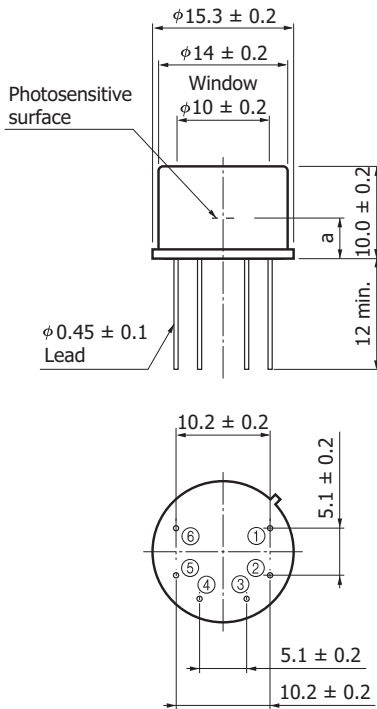
Measurement circuit



KIRDC0005EB

Dimensional outlines (unit: mm)

① P6606-110/-210

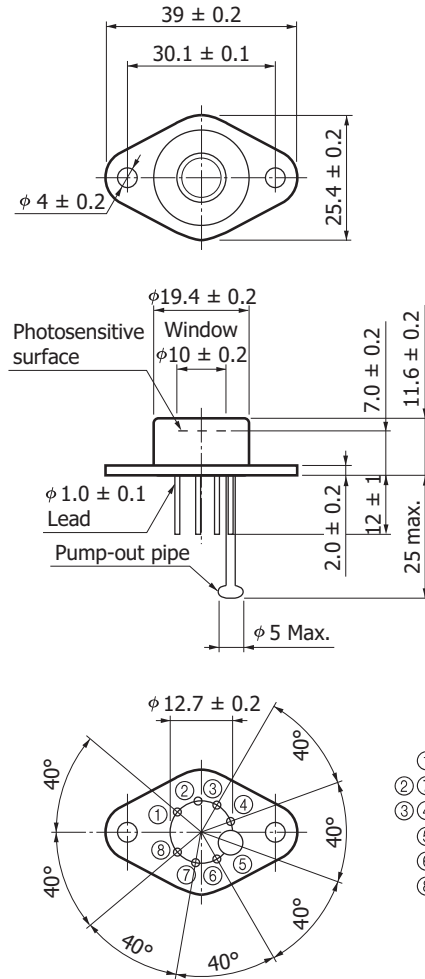


- ① Detector
- ② Detector
- ③ TE-cooler (-)
- ④ TE-cooler (+)
- ⑤ Thermistor
- ⑥ Thermistor

	P6606-110	P6606-210
a	4.2 ± 0.2	6.6 ± 0.2

KIRDA0126EB

② P6606-305/-310/-320



- ① TE-cooler (+)
- ② Detector
- ③ Thermistor
- ④ Pump-out pipe
- ⑤ NC
- ⑥ NC
- ⑦ TE-cooler (-)
- ⑧ TE-cooler (-)

KIRDA0127EC

Information described in this material is current as of July, 2012.

Product specifications are subject to change without prior notice due to improvements or other reasons. Before assembly into final products, please contact us for the delivery specification sheet to check the latest information.

Type numbers of products listed in the delivery specification sheets or supplied as samples may have a suffix "(X)" which means preliminary specifications or a suffix "(Z)" which means developmental specifications.

The product warranty is valid for one year after delivery and is limited to product repair or replacement for defects discovered and reported to us within that one year period. However, even if within the warranty period we accept absolutely no liability for any loss caused by natural disasters or improper product use.

Copying or reprinting the contents described in this material in whole or in part is prohibited without our prior permission.