

# D-Type Socket Assemblies

Socket Assembly Type No.	Applicable PMT Diameter	Out-line and Diagram	Grounded Electrode / Supply Voltage Polarity	Maximum Ratings			Leakage Current in Signal Max. (A)	Total Voltage Divider Resistance (MΩ)	Maximum Linear Output in DC Mode (μA)	Signal Output	Note	
				Insulation Voltage between Case and Pins (V)	Supply Voltage (V)	Voltage Divider Current (mA)						
<b>For Side-on Types</b>												
E850-13	13 mm (1/2")	①	Anode / -	1500	1250	0.38	$1 \times 10^{-10}$	3.30	18 (at 1250 V)	DC / Pulse		
E850-22		②	Anode / -	1500	1250	0.38	$1 \times 10^{-10}$	3.30	18 (at 1250 V)	DC / Pulse	E850-13, with connector	
E717-63	28 mm (1-1/8")	③	Anode / -	1500	1500	0.45	$1 \times 10^{-10}$	3.30	22 (at 1500 V)	DC / Pulse		
E717-74		④	Anode-Cathode / +-	1500	1500	0.45	$1 \times 10^{-10}$	3.30	22 (at 1500 V)	DC / Pulse	Pin output	
E717-500		⑤	Anode / -	1250	1250	0.38	$1 \times 10^{-10}$	3.30	18 (at 1250 V)	DC / Pulse	E717-63, with connector	
<b>For Head-on Types</b>												
E1761-04	10 mm (3/8")	⑥	Anode / -	1500	1500	0.41	$1 \times 10^{-10}$	3.63	20 (at 1500 V)	DC / Pulse		
E1761-22		⑦	Anode / -	1500	1500	0.37	$1 \times 10^{-10}$	4.02	19 (at 1500 V)	DC / Pulse	For R2496, with connector	
E1761-05		⑧	Anode / -	1500	1500	0.37	$1 \times 10^{-10}$	4.02	19 (at 1500 V)	DC / Pulse	For R2496	
E849-35	13 mm (1/2")	⑨	Anode / -	1500	1250	0.34	$1 \times 10^{-10}$	3.63	17 (at 1250 V)	DC / Pulse		
E849-90		⑩	Anode / -	1500	1250	0.34	$1 \times 10^{-10}$	3.63	17 (at 1250 V)	DC / Pulse	E849-35, with connector	
E849-68		⑪	Anode / -	1500	1250	0.27	$1 \times 10^{-10}$	4.48	13 (at 1250 V)	DC / Pulse	For R4124	
E849-52		⑫	Anode / -	1500	1250	0.31	$1 \times 10^{-10}$	3.98	15 (at 1250 V)	DC / Pulse	For R2557, with connector	
E974-13	19 mm (3/4")	⑬	Anode / -	1800	1800	0.47	$1 \times 10^{-10}$	3.81	23 (at 1800 V)	DC / Pulse		
E974-14		⑭	Cathode / +	1800	1800	0.47	—	3.81	—	Pulse	For Scintillation Counting	
E974-17		⑮	Anode / -	1800	1800	0.47	$1 \times 10^{-10}$	3.81	23 (at 1800 V)	DC / Pulse	E974-13, with connector	
E974-22		⑯	Anode / -	1800	1800	0.43	$1 \times 10^{-10}$	4.16	21 (at 1800 V)	DC / Pulse	For R1450, with connector	
E2253-05		⑰	Anode / -	1800	1800	0.35	$1 \times 10^{-10}$	5.13	17 (at 1800 V)	DC / Pulse	For R3478, with connector	
E2253-08		⑱	Cathode / +	1800	1800	0.35	—	5.13	—	Pulse	For R3478, for Scintillation Counting	
E974-18		⑲	Anode / -	1500	1500	0.37	$1 \times 10^{-10}$	3.98	18 (at 1500 V)	DC / Pulse	For R1878, with connector	
E2924-11		25 mm (1")	⑳	Anode / -	1800	1800	0.41	$1 \times 10^{-10}$	4.47	20 (at 1800 V)	DC / Pulse	For R7899
E2924			㉑	Anode / -	1500	1250	0.29	$1 \times 10^{-10}$	4.29	14 (at 1250 V)	DC / Pulse	
E2924-500	㉒		Anode / -	1500	1250	0.29	$1 \times 10^{-10}$	4.29	14	DC / Pulse	E2924, with connector	
E2924-05	㉓		Cathode / +	1500	1250	0.29	—	4.30	—	Pulse	For Scintillation Counting	
E990-07	28 mm (1-1/8")	㉔	Anode / -	1500	1500	0.38	$1 \times 10^{-10}$	3.96	18 (at 1500 V)	DC / Pulse		
E990-08		㉕	Cathode / +	1500	1500	0.38	—	3.96	—	Pulse	For Scintillation Counting	
E990-501		㉖	Anode / -	1500	1500	0.38	$1 \times 10^{-10}$	3.96	18 (at 1500 V)	DC / Pulse	E990-07, with connector	
E2624		㉗	Anode / -	2500	2500	0.52	$1 \times 10^{-10}$	4.80	26 (at 2500 V)	DC / Pulse	For R6427,	
E2624-05		㉘	Cathode / +	2500	2500	0.52	—	4.80	—	Pulse	For R6427, for Scintillation Counting	
E2624-14		㉙	Anode / -	2500	2500	0.52	$1 \times 10^{-10}$	4.80	26 (at 2500 V)	DC / Pulse	E2624, with connector	

NOTE: **A** Measured with the maximum supply voltage  
**B** Measured with a supply voltage of 1000 V except for E5996, E7083 and E6736 (900 V)  
**C** The current at which the output linearity is kept within  $\pm 5\%$

Socket Assembly Type No.	Applicable PMT Diameter	Out-line and Diagram	Grounded Electrode / Supply Voltage Polarity	Maximum Ratings			Leakage Current in Signal Max. (A)	Total Voltage Divider Resistance (MΩ)	Maximum Linear Output in DC Mode (μA)	Signal Output	Note
				Insulation Voltage between Case and Pins (V)	Supply Voltage (V)	Voltage Divider Current (mA)					
<b>For Head-on Types</b>											
E990-500	28 mm (1-1/8")	30	Anode / -	1500	1500	0.35	$1 \times 10^{-10}$	4.29	17 (at 1500 V)	DC / Pulse	With connector
E990-29		31	Anode / -	1500	1500	0.34	$1 \times 10^{-10}$	4.48	16 (at 1500 V)	DC / Pulse	For R3998-02
E2183-500	38 mm (1-1/2")	32	Anode / -	2000	1750	0.45	$1 \times 10^{-10}$	3.97	22 (at 1750 V)	DC / Pulse	With connector
E2183-502		33	Cathode / +	2000	1750	0.45	—	3.96	—	Pulse	With connector, for scintillation counting
E1198-26	51 mm (2") 76 mm (3")	34	Anode / -	1500	1500	0.38	$1 \times 10^{-10}$	4.01	18 (at 1500 V)	DC / Pulse	
E1198-27		35	Cathode / +	1500	1500	0.38	—	4.01	—	Pulse	For scintillation counting
E1198-05		36	Anode / -	1500	1500	0.46	$1 \times 10^{-10}$	3.3	22 (at 1500 V)	DC / Pulse	
E1198-20		37	Cathode / +	1500	1500	0.46	—	3.3	—	Pulse	For scintillation counting
E1198-07	51 mm (2")	38	Anode / -	1750	1750	0.44	$1 \times 10^{-10}$	3.98	22 (at 1750 V)	DC / Pulse	For R2154-02
E2979-500		39	Anode / -	3000	3000	0.70	$1 \times 10^{-10}$	4.31	34 (at 3000 V)	DC / Pulse	For R1828-01, with rear panel connector, with magnetic shield
E1198-23	51 mm (2") 76 mm (3") 127 mm (5")	40	Cathode / +	2200	2000	0.50	—	3.97	—	Pulse	For scintillation counting
E1198-22		41	Anode / -	2200	2000	0.50	$1 \times 10^{-10}$	3.97	25 (at 2000 V)	DC / Pulse	
E6316		42	Cathode / +	2200	2000	0.50	—	3.97	—	Pulse	E1198-23, with rear panel connector, for scintillation counting
E6316-01		43	Anode / -	2200	2000	0.50	$1 \times 10^{-10}$	3.97	25 (at 2000 V)	DC / Pulse	E1198-22, with rear panel connector
E5859-05	51 mm (2") 76 mm (3")	44	Anode / -	1500	1500	0.38	$1 \times 10^{-10}$	3.98	18 (at 1500 V)	DC / Pulse	With rear panel connector
E5859-19		45	Anode / -	-2000	2000	0.57	$1 \times 10^{-10}$	3.53	28 (at 2000 V)	DC / Pulse	For R7724 with rear panel connector
E5859		46	Anode / -	2700	2700	0.67	$1 \times 10^{-10}$	4.06	33 (at 2700 V)	DC / Pulse	With rear panel connector
E5859-01		47	Anode / -	2700	2700	0.75	$1 \times 10^{-10}$	3.62	37 (at 2700 V)	DC / Pulse	With rear panel connector
E5859-03		48	Cathode / +	2700	2700	0.75	—	3.63	—	Pulse	With rear panel connector, for scintillation counting
E1435-02	51 mm (2")	49	Anode / -	1500	1500	0.38	$1 \times 10^{-10}$	3.96	18 (at 1500 V)	DC / Pulse	
E7693	127 mm (5")	50	Anode / -	3000	3000	1.02	$1 \times 10^{-10}$	2.94	51 (at 3000 V)	DC / Pulse	For R1250, for R1584, with rear panel connector
E10679	Metal Package PMT R9880U Series	51	Anode / -	1250	1250	0.36	$1 \times 10^{-10}$	3.46	18 (at 1250 V)	DC / Pulse	
E5996	Metal Package PMT R7600U Series	52	Anode / -	900	900	0.33	$1 \times 10^{-10}$	2.75	16 (at 900 V)	DC / Pulse	
E7083	Metal Package PMT R7600U-M4 Series	53	Anode / -	900	900	0.33	$1 \times 10^{-10}$	2.75	4 (at 900 V) <sup>Ⓛ</sup>	DC / Pulse	
E6736	Metal Package PMT R5900U-L16	54	Anode / -	900	900	0.38	$1 \times 10^{-10}$	2.42	1.16 (at 900 V) <sup>Ⓛ</sup>	DC / Pulse	
E10411	Metal Package PMT R8900U	55	Anode / -	1000	1000	0.37	$1 \times 10^{-10}$	2.74	18 (at 1000 V)	DC / Pulse	
E9349	Metal Package PMT R8900-00-M16	56	Anode / -	1000	1000	0.35	$1 \times 10^{-10}$	2.86	1.0 (at 1000 V) <sup>Ⓛ</sup>	DC / Pulse	
E7514	Metal Package PMT R8900U-C12	57	Anode / -	1000	1000	0.34	$1 \times 10^{-10}$	2.97	1.4 (at 1000 V) <sup>Ⓛ</sup>	DC / Pulse	
E6133-04	For High Magnetic Environments 25 mm (1")	58	Cathode / +	2500	2500	0.45	—	5.62	—	Pulse	For R5505, with connector

NOTE: <sup>Ⓛ</sup> Current of one anode

CAUTION: Socket assemblies are not designed to operate in a vacuum.

Temperature ranges of D-type socket assemblies are as follows (except for some products):

Operating: 0 °C to +50 °C

Storage: -15 °C to +60 °C

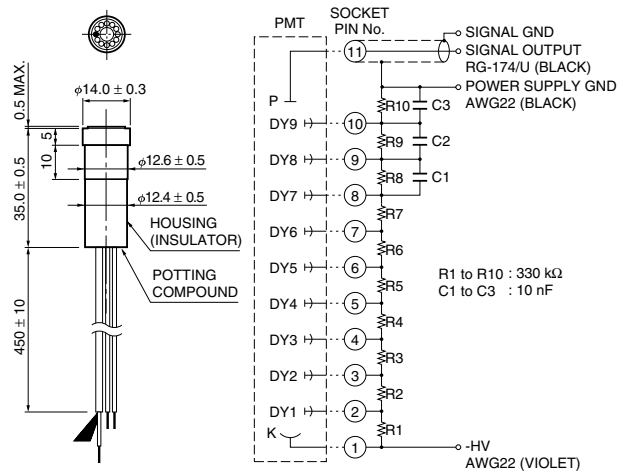
Do not use the socket assemblies if condensation occurs, since a high voltage is output from the socket.

Insert the photomultiplier tube all the way into the socket.

Insert the photomultiplier tube straight into the socket, or pull the photomultiplier tube straight out of the socket when removing it.

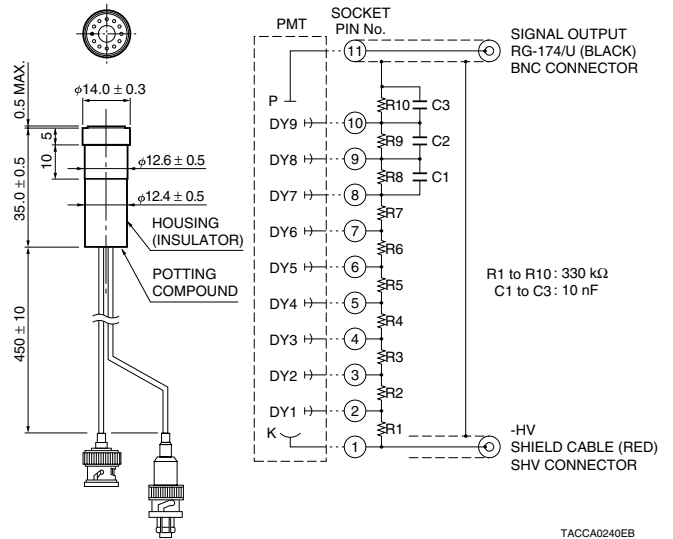
# D-Type Socket Assemblies Dimensional Outlines and Diagrams (Unit: mm)

## 1 E850-13



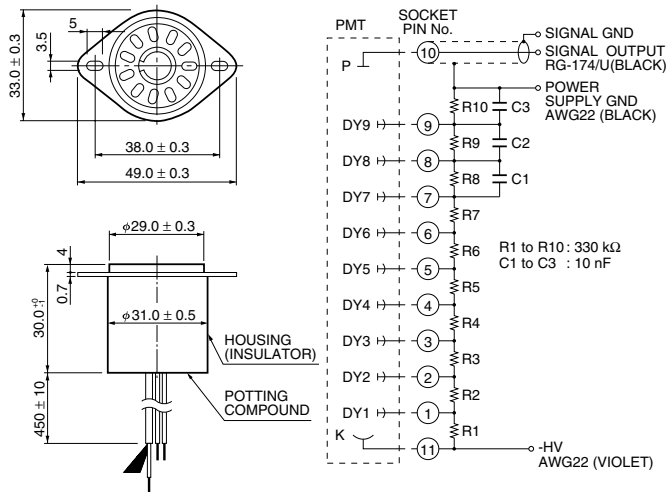
TACCA0096EC

## 2 E850-22



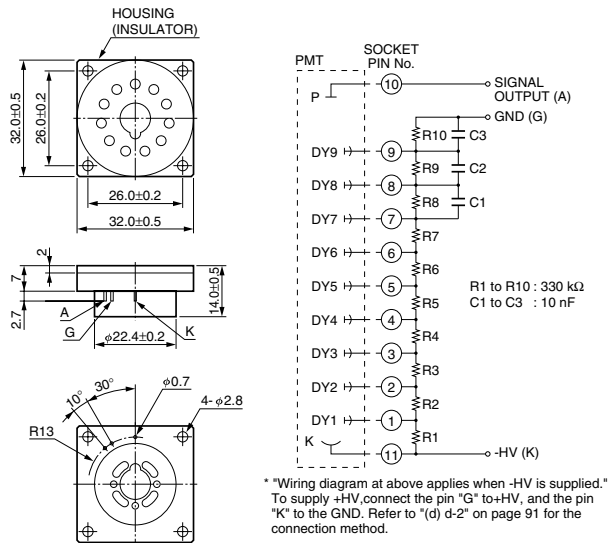
TACCA0240EB

## 3 E717-63



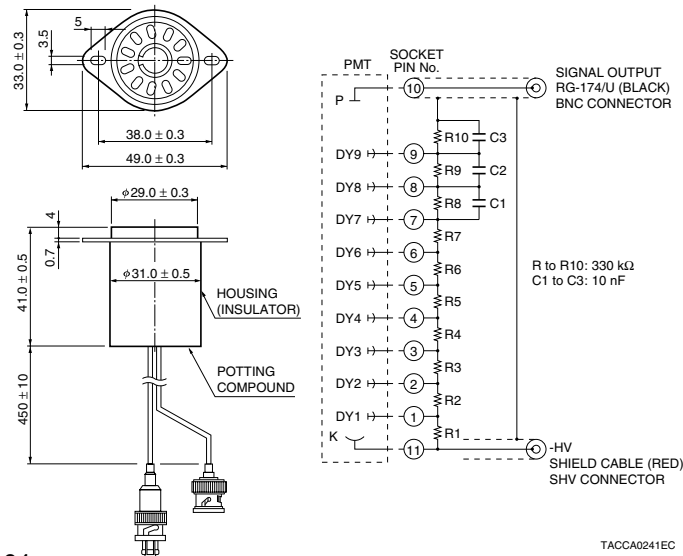
TACCA0002EH

## 4 E717-74



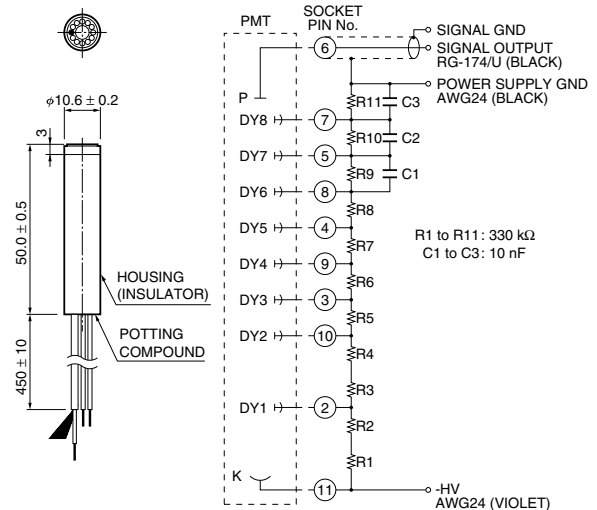
TACCA0277EA

## 5 E717-500



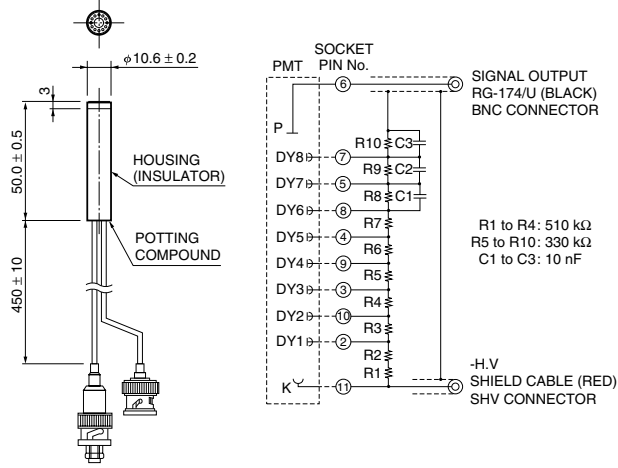
TACCA0241EC

## 6 E1761-04

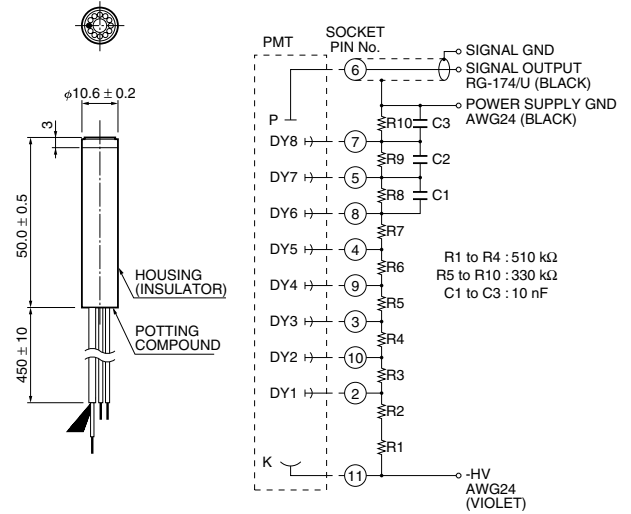


TACCA0019ED

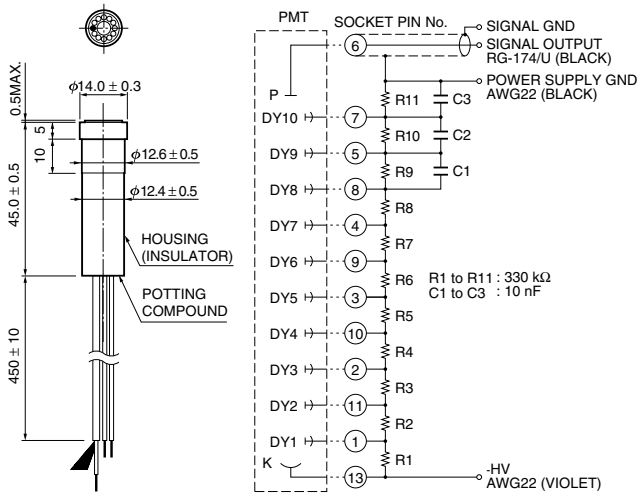
7 E1761-22



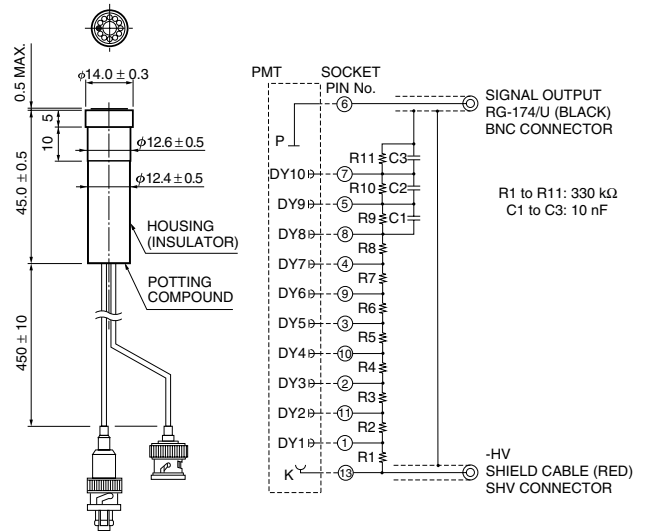
8 E1761-05



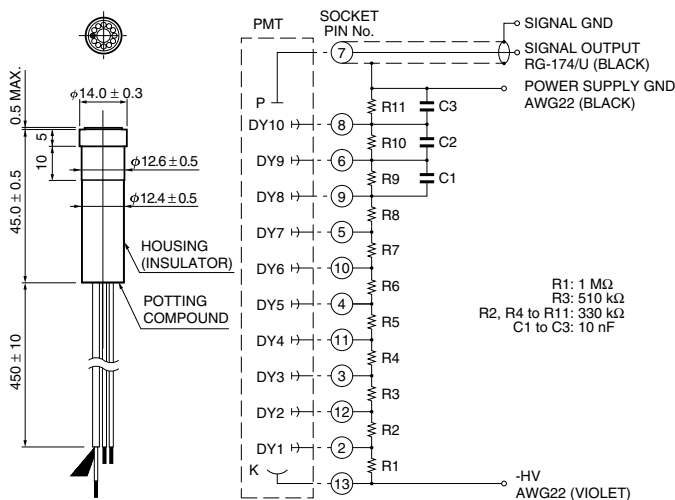
9 E849-35



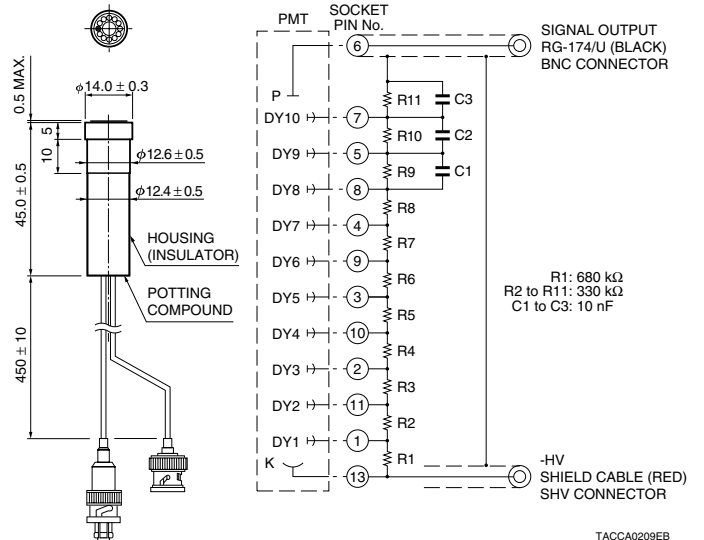
10 E849-90



11 E849-68

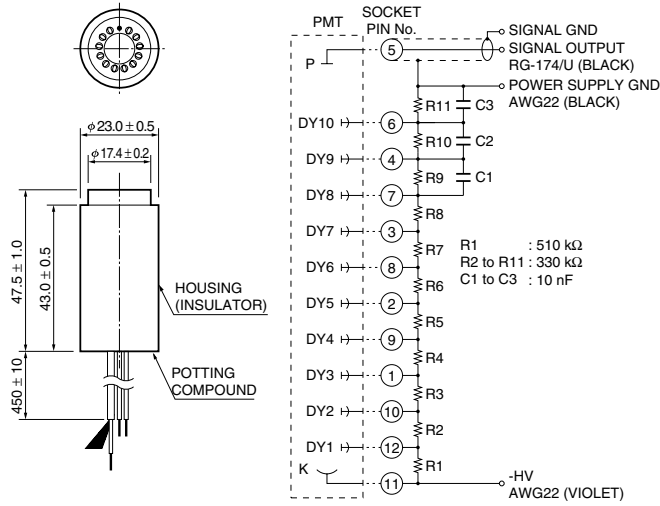


12 E849-52



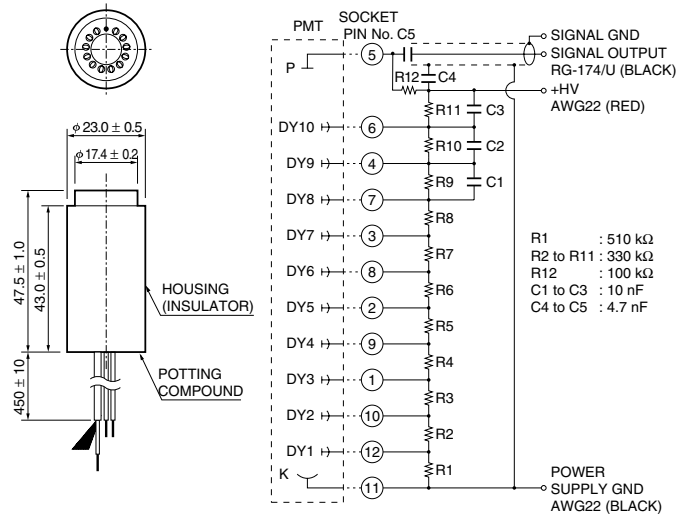
# D-Type Socket Assemblies Dimensional Outlines and Diagrams (Unit: mm)

13 E974-13



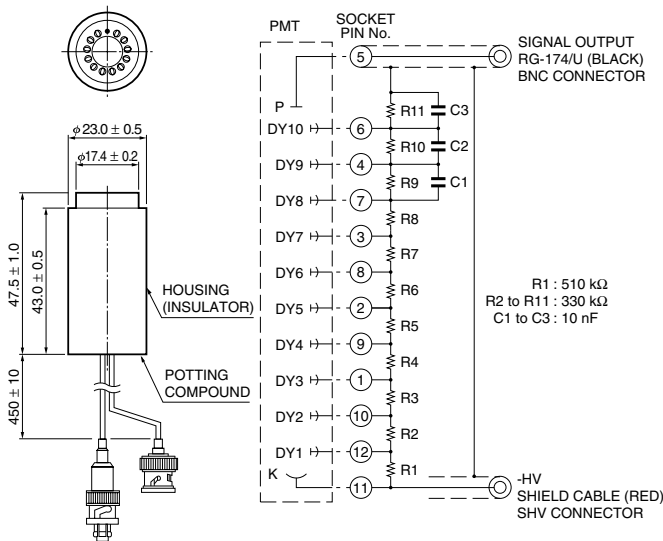
TACCA0099EB

14 E974-14



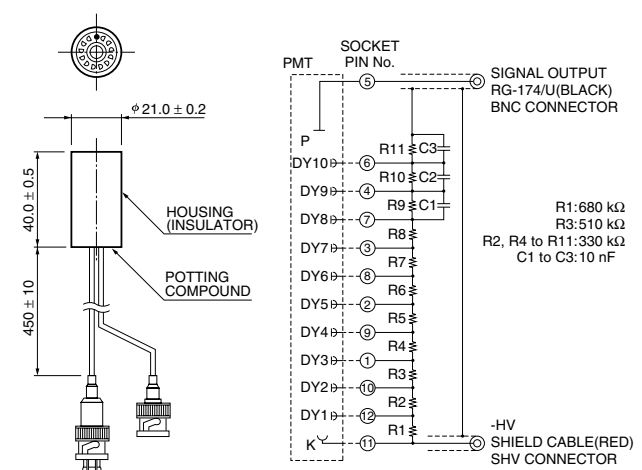
TACCA0100EB

15 E974-17



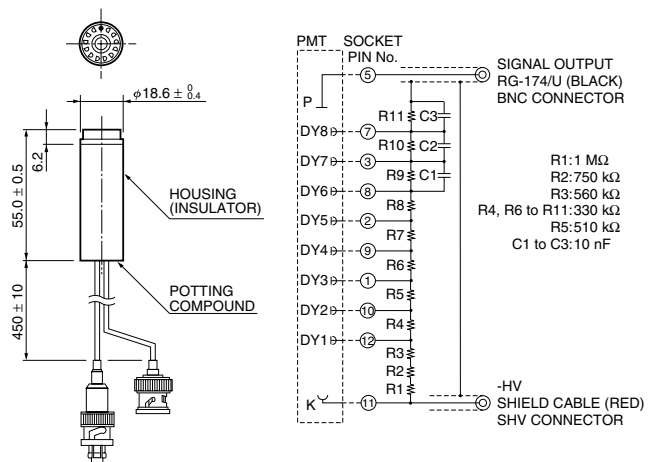
TACCA0212EB

16 E974-22



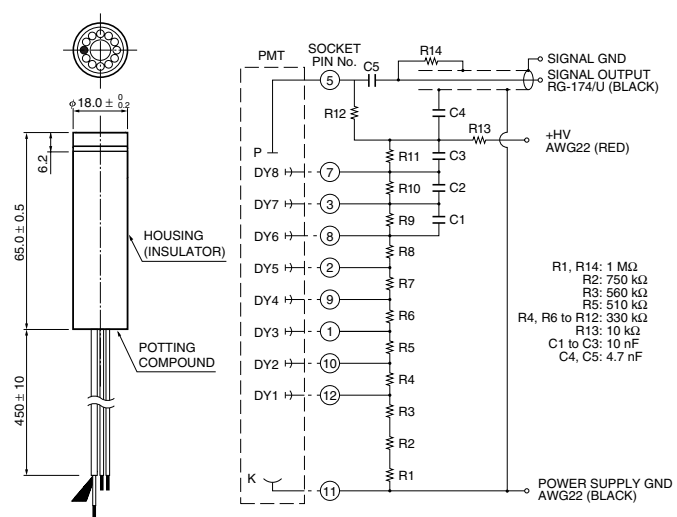
TACCA0078EC

17 E2253-05



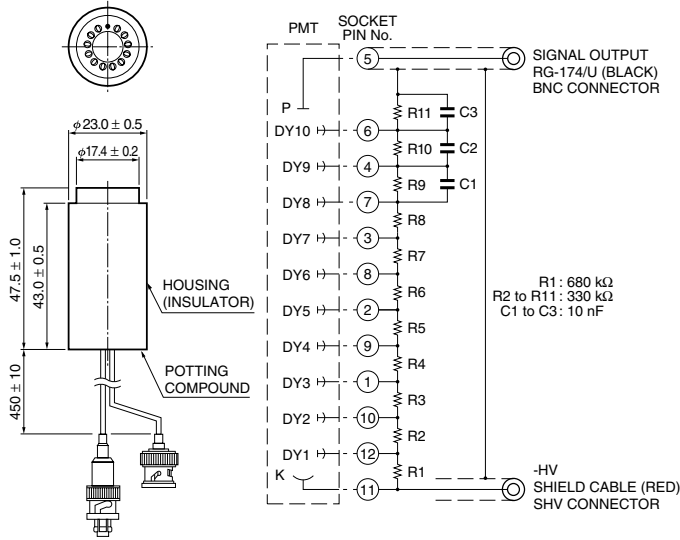
TACCA0079EB

18 E2253-08



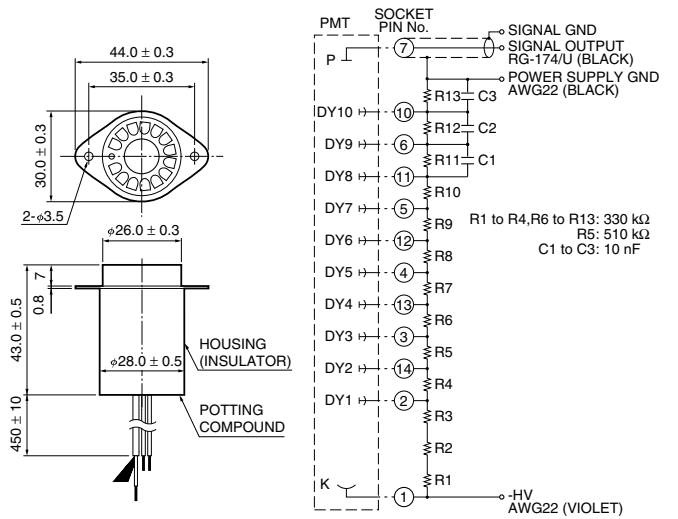
TACCA0214EB

19 E974-18



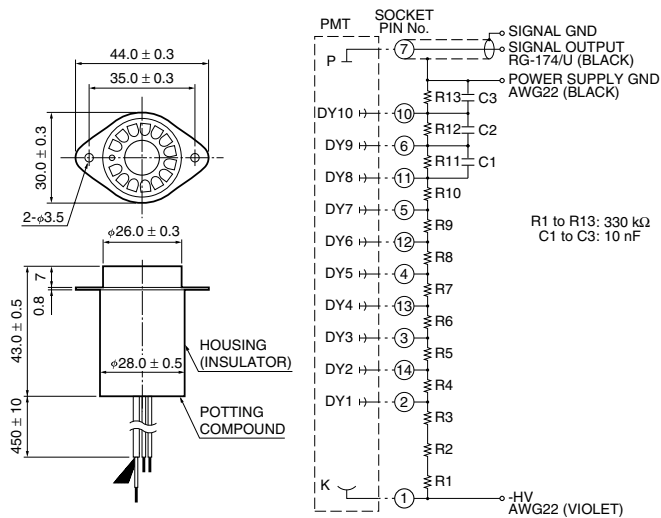
TACCA0213EB

20 E2924-11



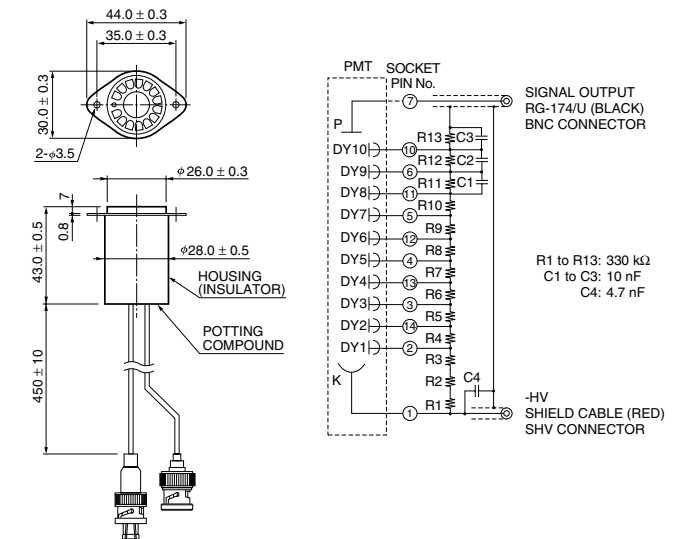
TACCA0032EC

21 E2924



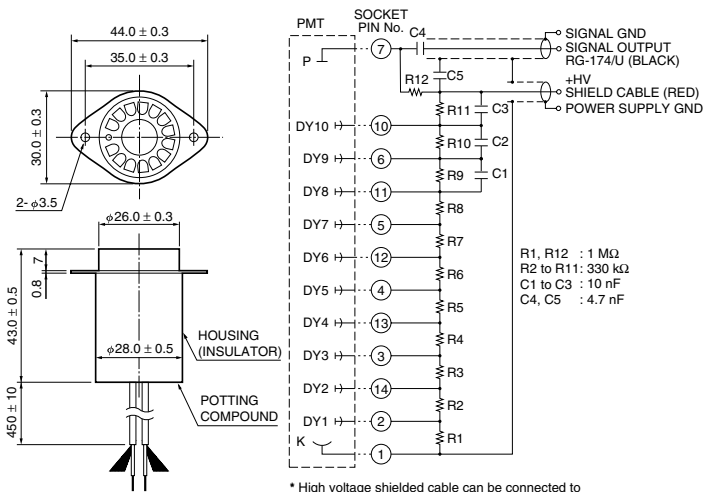
TACCA0032EC

22 E2924-500



TACCA0081EC

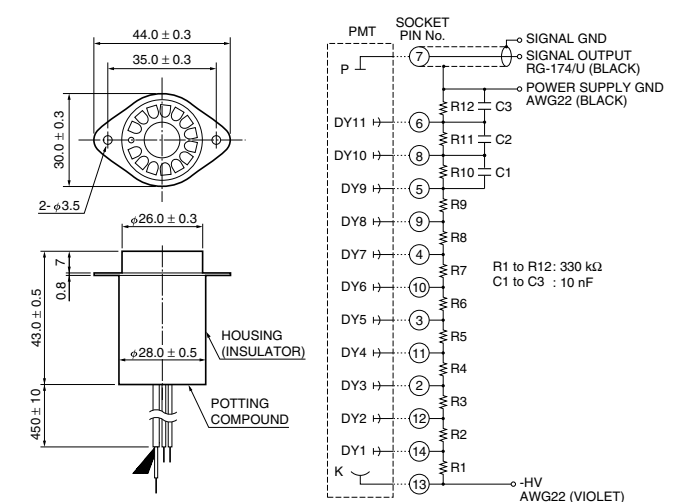
23 E2924-05



\* High voltage shielded cable can be connected to a connector for RG-174/U.

TACCA0102EA

24 E990-07

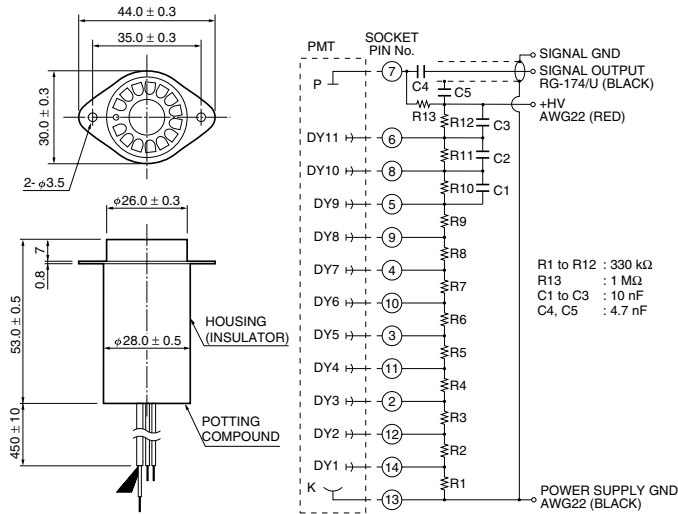


TACCA0101EB

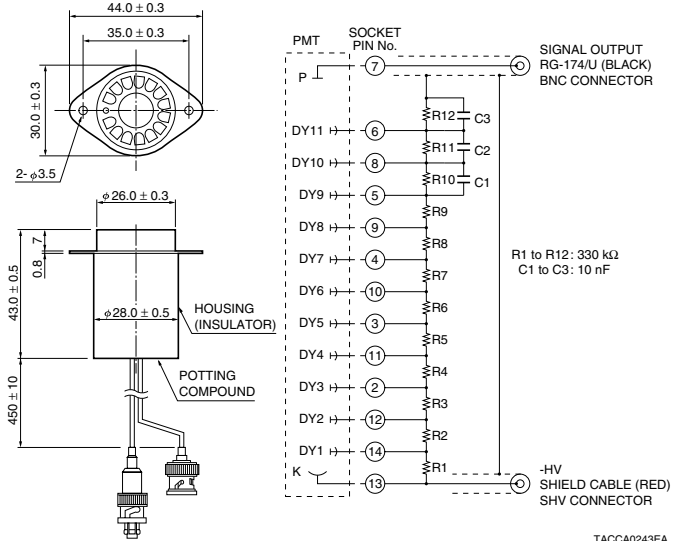


# D-Type Socket Assemblies Dimensional Outlines and Diagrams (Unit: mm)

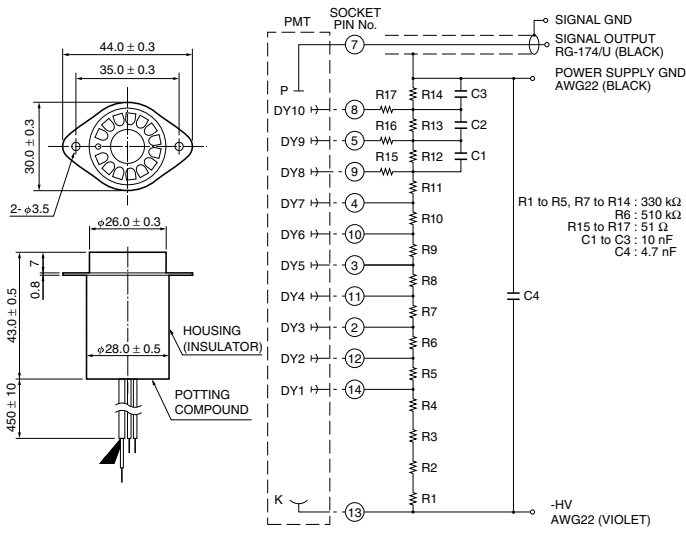
25 E990-08



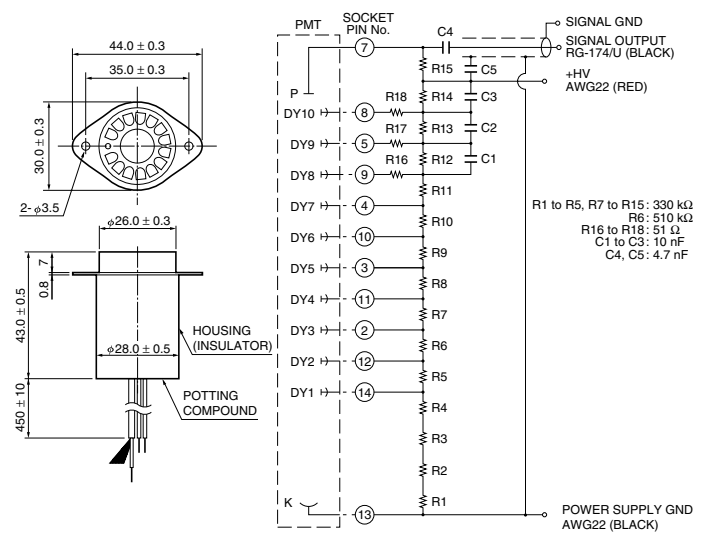
26 E990-501



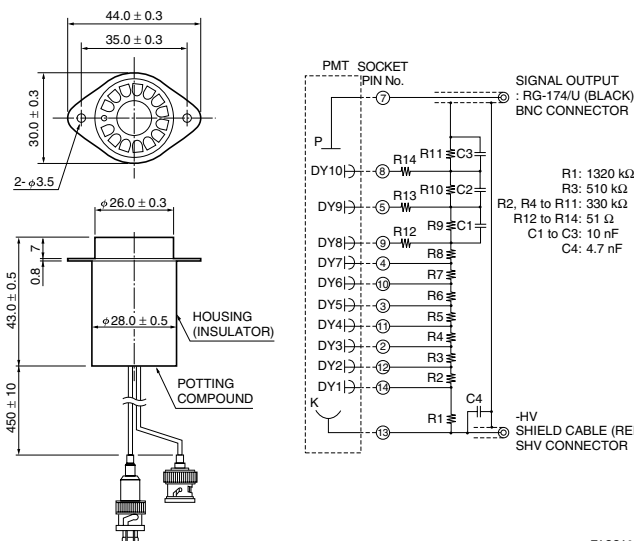
27 E2624



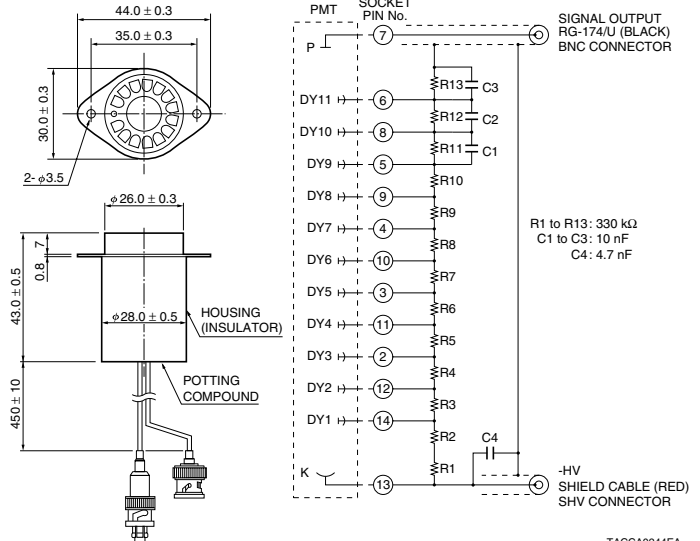
28 E2624-05



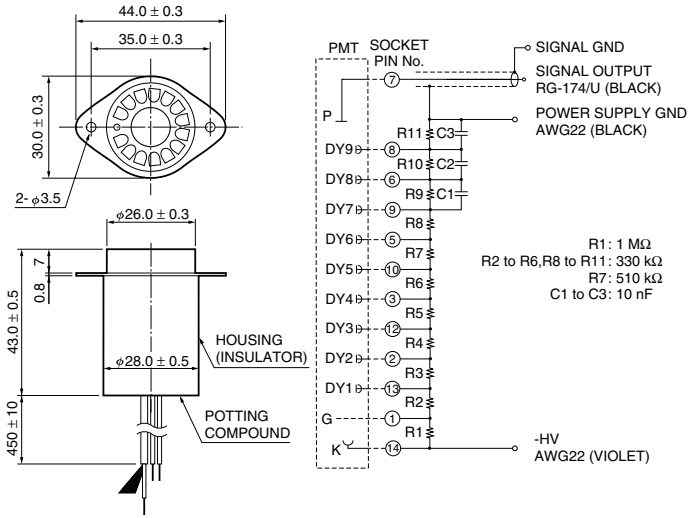
29 E2624-14



30 E990-500

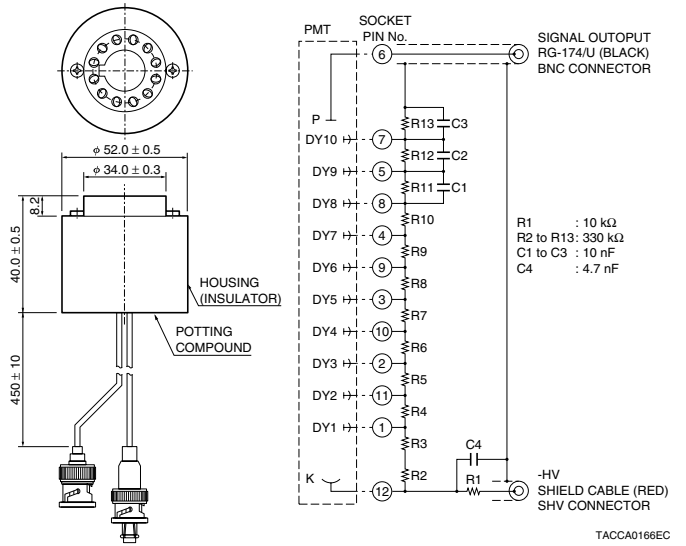


**31 E990-29**



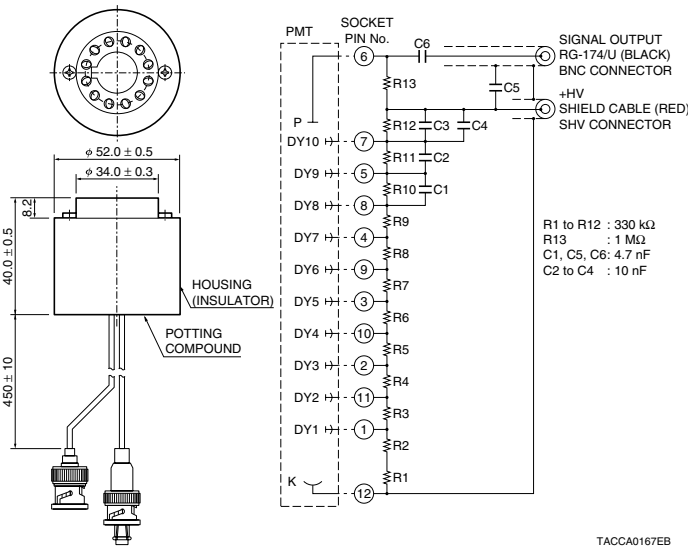
TACCA0215EB

**32 E2183-500**



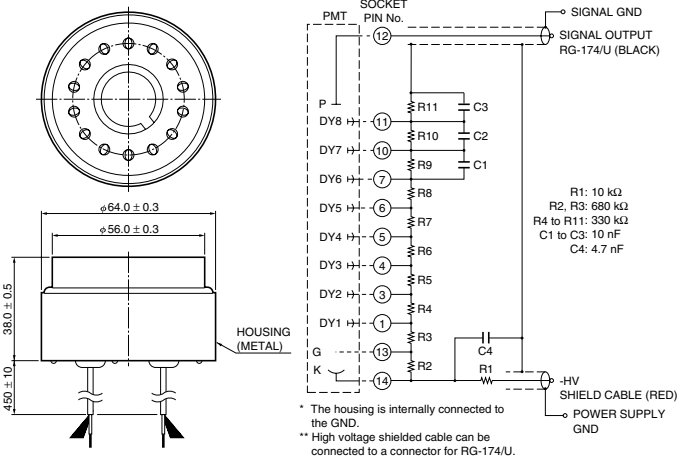
TACCA0166EC

**33 E2183-502**



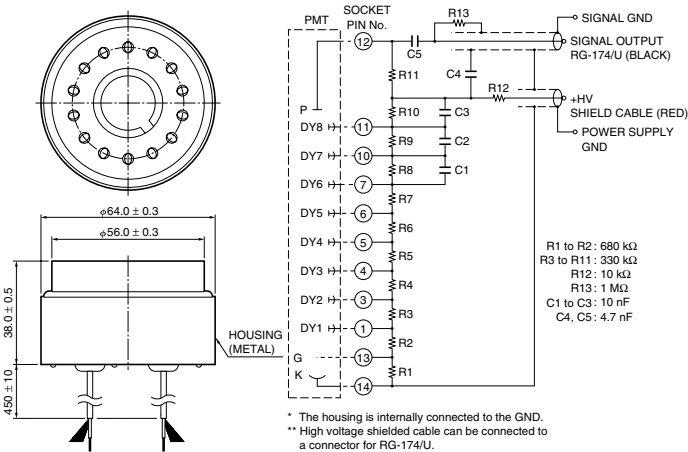
TACCA0167EB

**34 E1198-26**



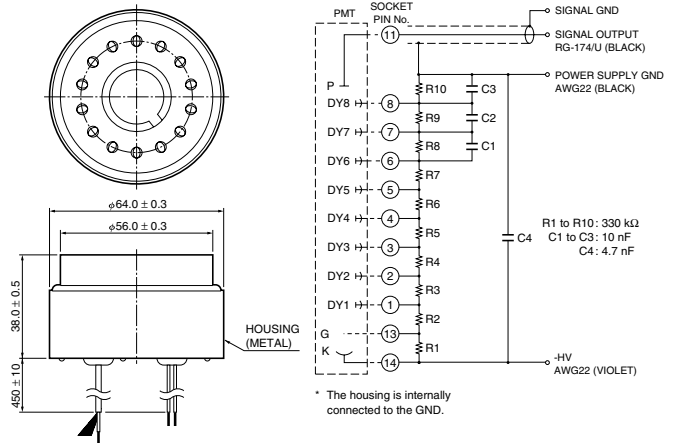
TACCA0224EC

**35 E1198-27**



TACCA0225EB

**36 E1198-05**

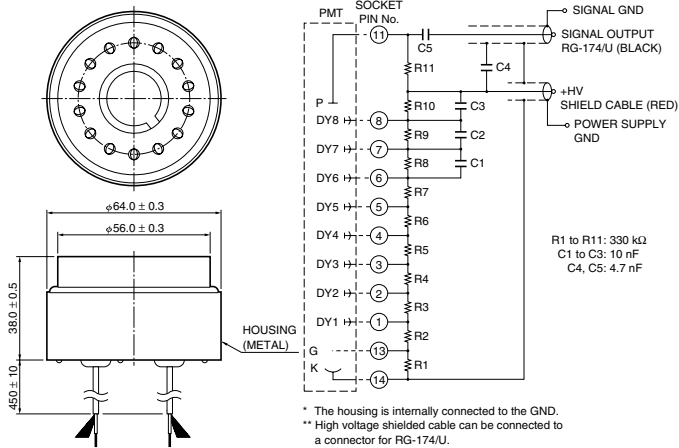


TACCA0221EB



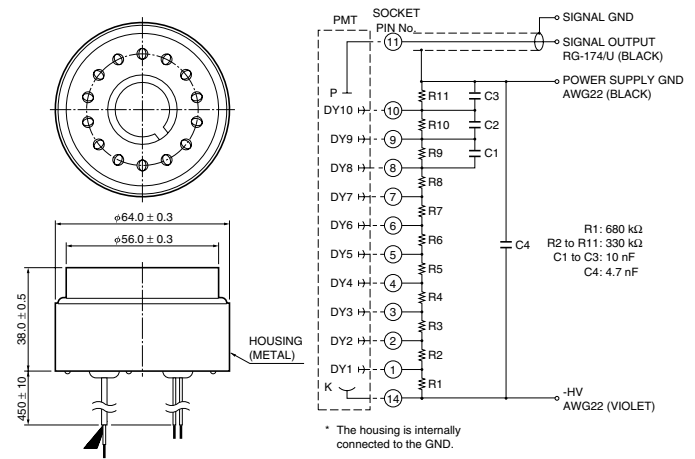
# D-Type Socket Assemblies Dimensional Outlines and Diagrams (Unit: mm)

37 E1198-20



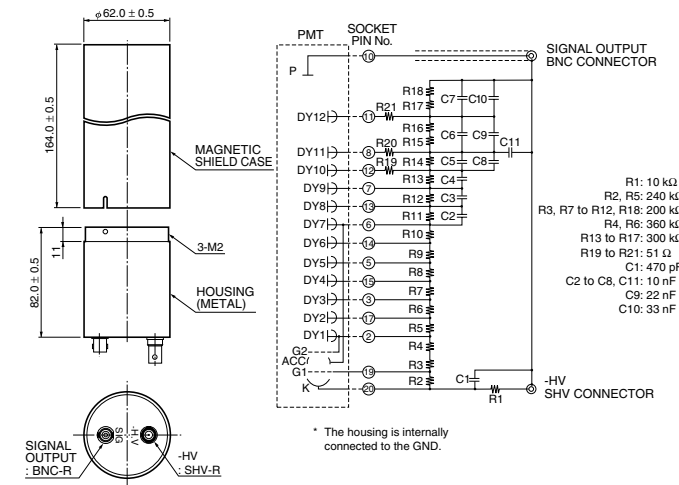
TACCA0223EB

38 E1198-07



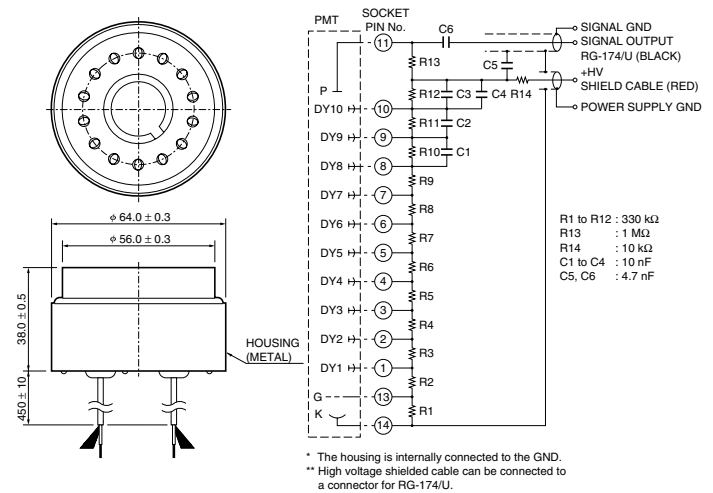
TACCA0220EC

39 E2979-500



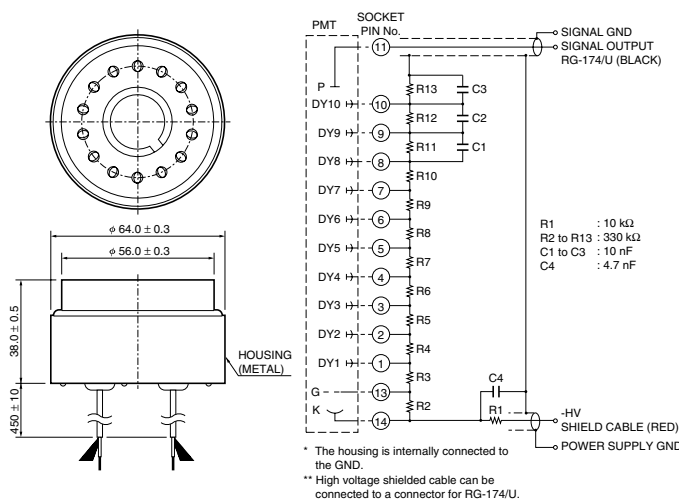
TACCA0093EB

40 E1198-23



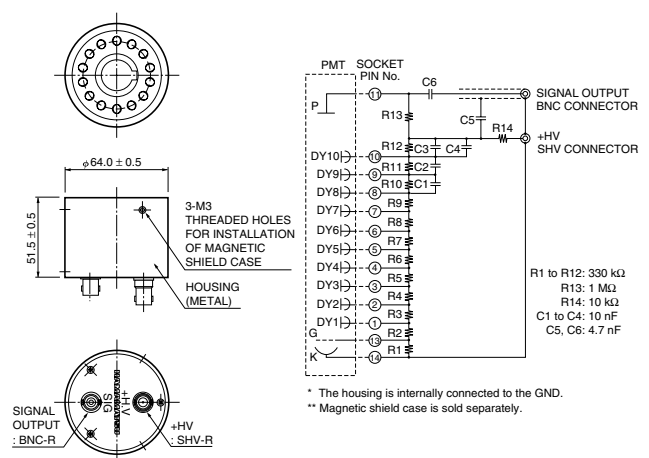
TACCA0169EC

41 E1198-22



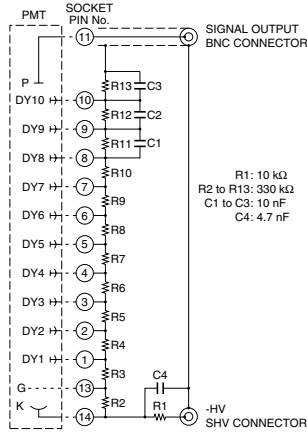
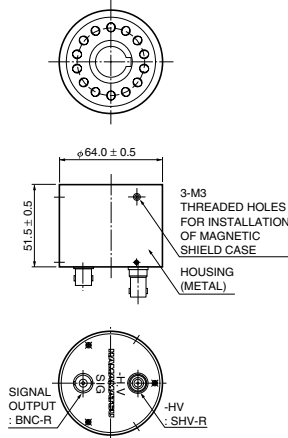
TACCA0168EB

42 E6316



TACCA0226EC

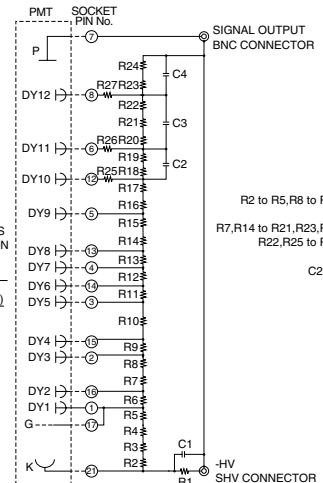
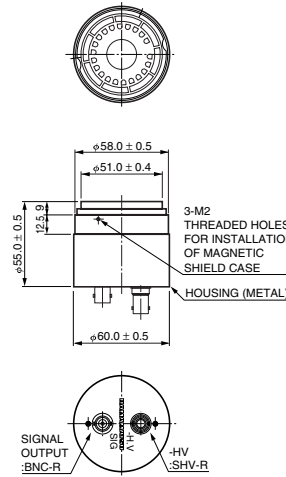
43 E6316-01



\* The housing is internally connected to the GND.  
\*\* Magnetic shield case is sold separately.

TACCA0245EB

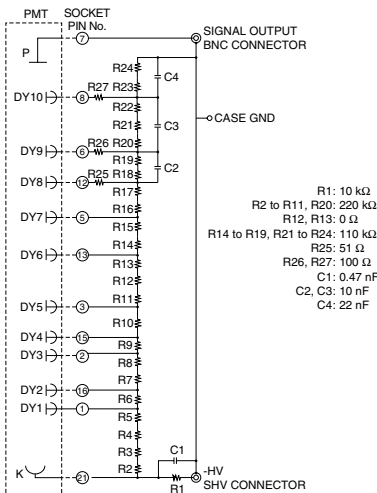
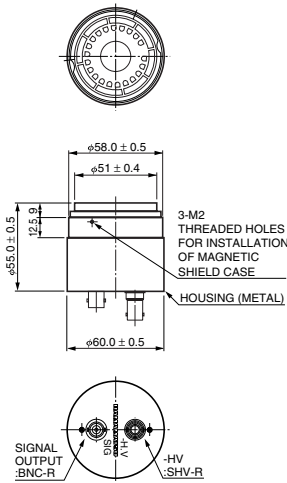
44 E5859-05



\* The housing is internally connected to the GND.  
\*\* Magnetic shield case is sold separately.

TACCA0219EC

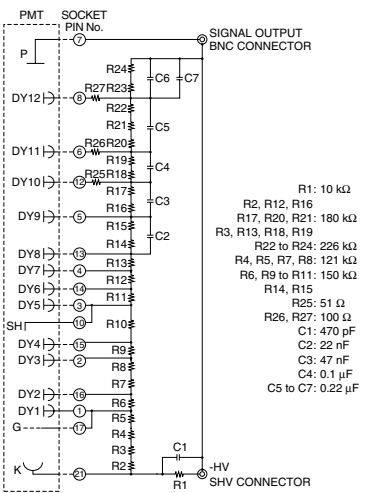
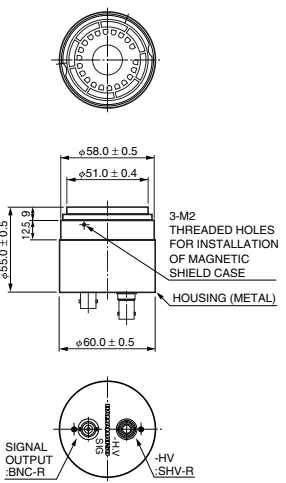
45 E5859-19



\* The housing is internally connected to the GND.  
\*\* Magnetic shield case is sold separately.

TACCA0305EA

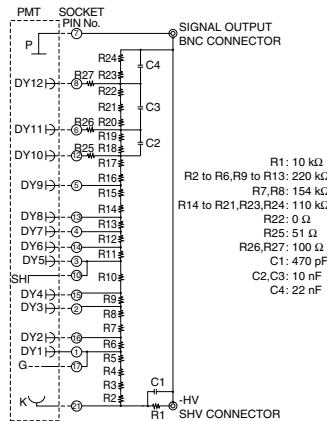
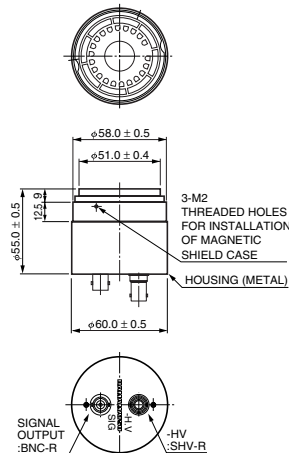
46 E5859



\* The housing is internally connected to the GND.  
\*\* Magnetic shield case is sold separately.

TACCA0176ED

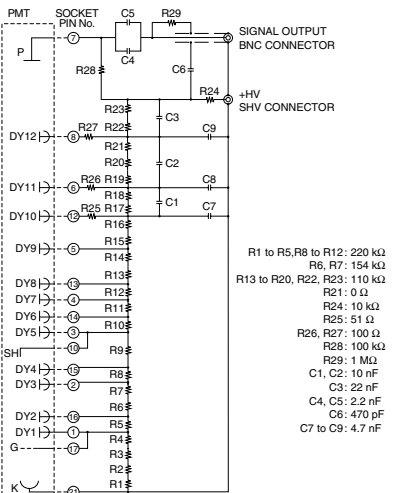
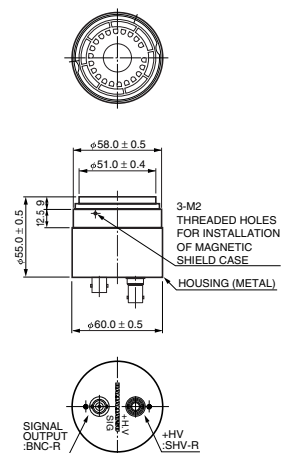
47 E5859-01



\* The housing is internally connected to the GND.  
\*\* Magnetic shield case is sold separately.

TACCA0178EC

48 E5859-03

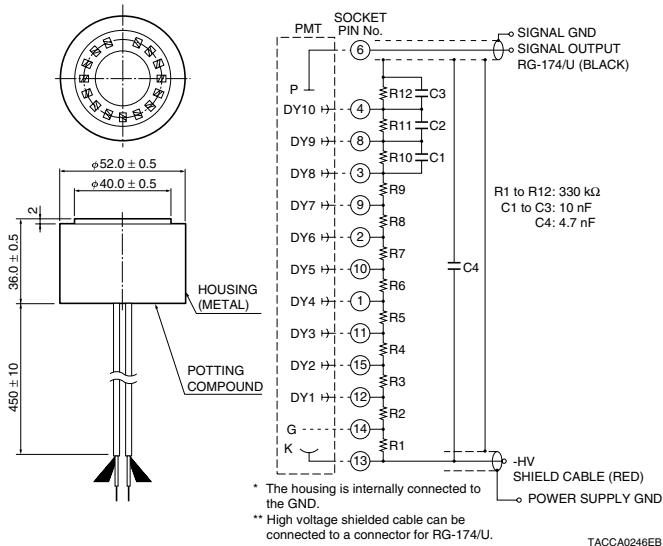


\* The housing is internally connected to the GND.  
\*\* Magnetic shield case is sold separately.

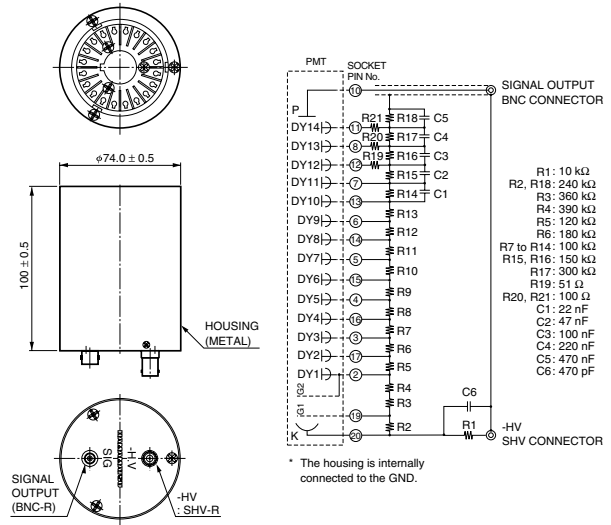
TACCA0218EE

# D-Type Socket Assemblies Dimensional Outlines and Diagrams (Unit: mm)

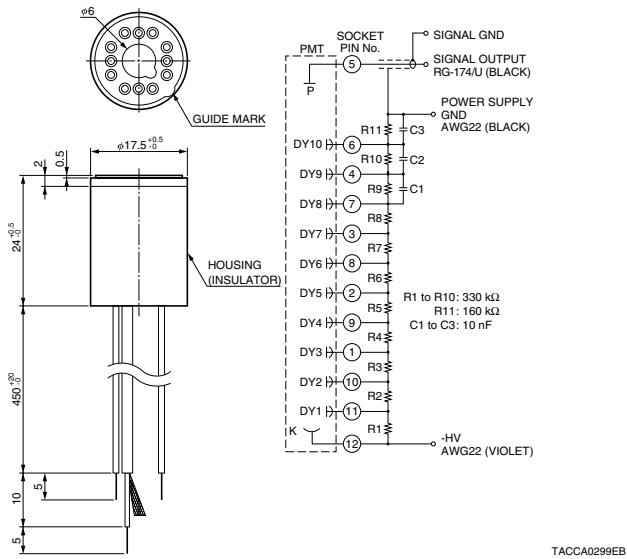
49 E1435-02



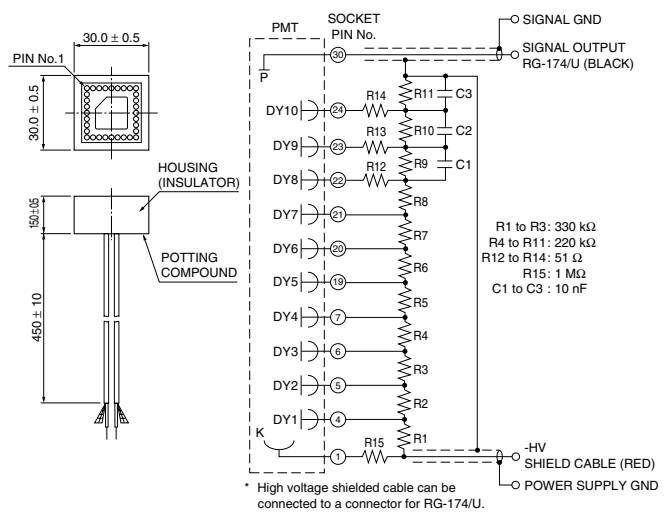
50 E7693



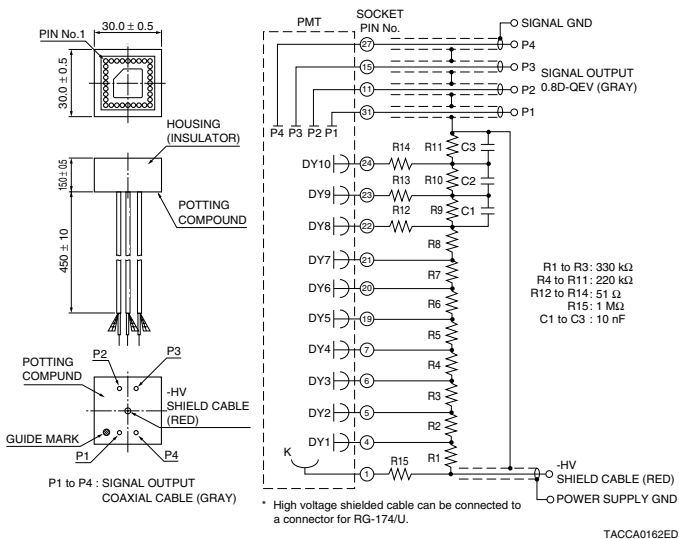
51 E10679



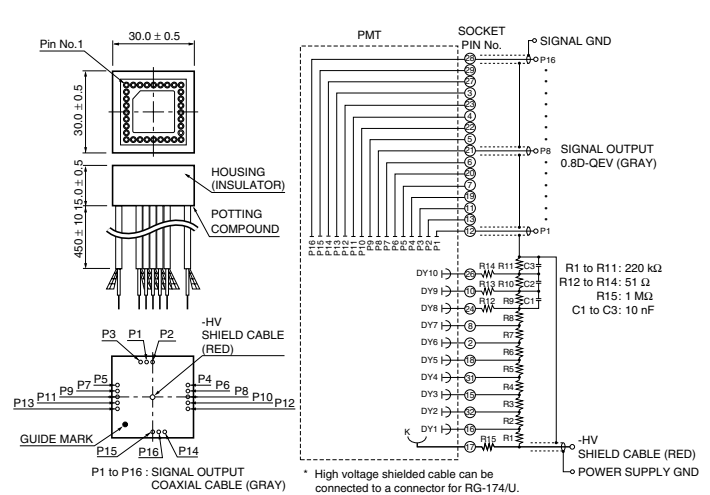
52 E5996



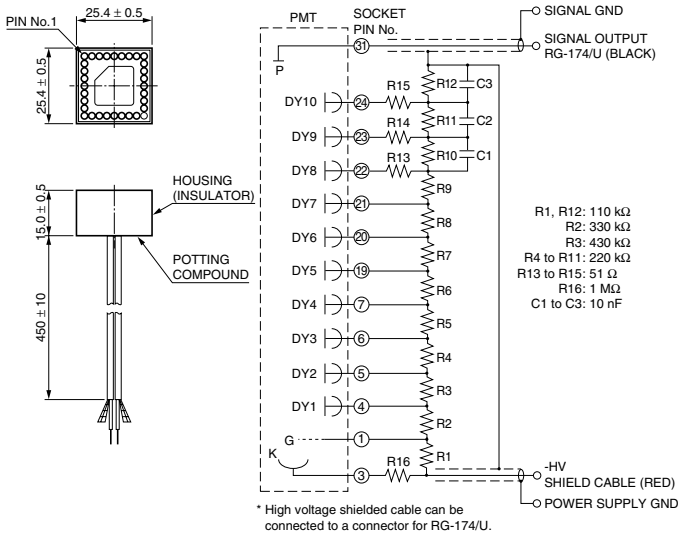
53 E7083



54 E6736

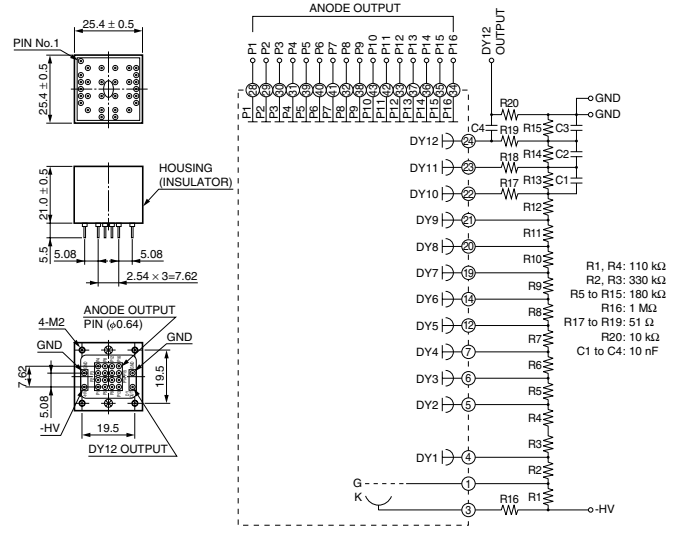


55 E10411



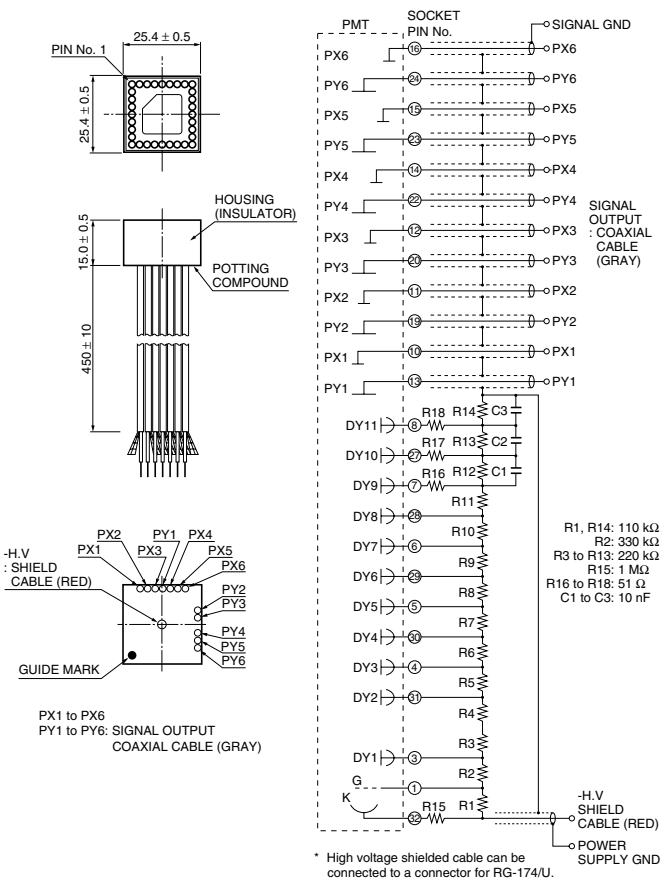
TACCA0298EB

56 E9349



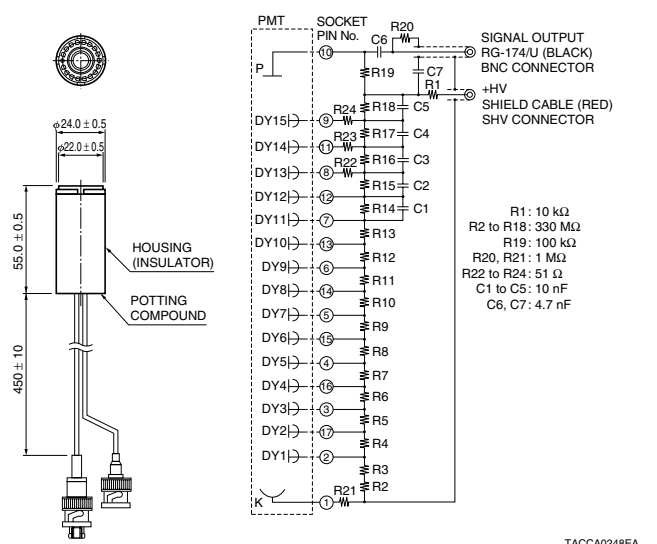
TACCA0297EB

57 E7514



TACCA0238ED

58 E6133-04



TACCA0248EA