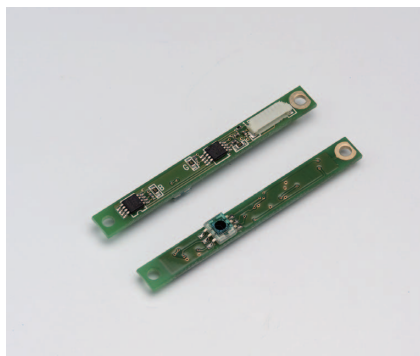


Color sensor module



C9303-04

RGB-LED backlight monitor for TFT-LCD (liquid crystal display)

The C9303-04 is a color sensor module that has a RGB color sensor and current-to-voltage conversion amplifier mounted on a small circuit board.

Features

- **Built-in RGB color sensor**
Sensitivity matches wavelengths of RGB-LED backlight for TFT-LCD.
- **3 ch current-to-voltage conversion amplifiers**
Simultaneous output of 3 ch RGB photocurrent
- **Configuration and size suitable for side mounting to TFT-LCD**
- **Suitable for lead-free solder**
- **Pin compatible with previous device**
- **Low current consumption**

Applications

- **RGB-LED backlight monitor for TFT-LCD**

Absolute maximum ratings (Ta=25 °C unless otherwise noted)

Parameter	Symbol	Value	Unit
Supply voltage	Vs	+5.5	V
Reference voltage	Vref	Vs - 0.4	V
Operating temperature*1	ToPr	-20 to +85	°C
Storage temperature*1	Tstg	-20 to +85	°C

*1: No dew condensation

When there is a temperature difference between a product and the surrounding area in high humidity environment, dew condensation may occur on the product surface. Dew condensation on the product may cause deterioration in characteristics and reliability.

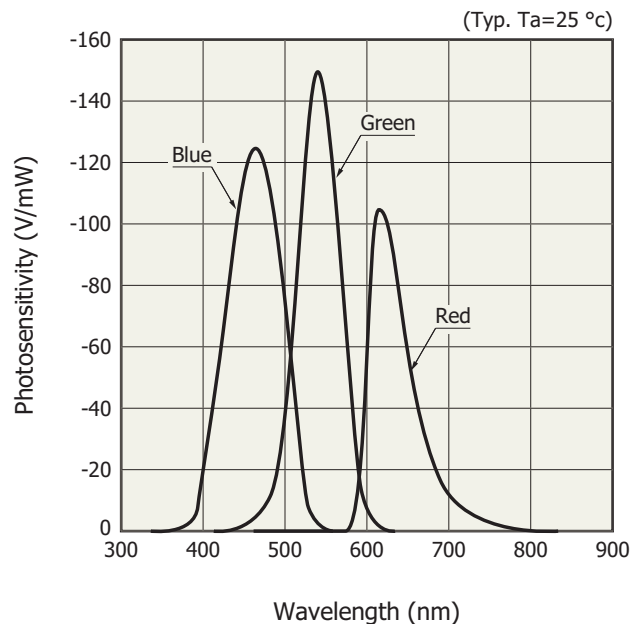
Note: Exceeding the absolute maximum ratings even momentarily may cause a drop in product quality. Always be sure to use the product within the absolute maximum ratings.

Electrical and optical characteristics (Ta=25 °C, Vs=5.0 V, Vref=3.000 V, unless otherwise noted: per 1 ch)

Parameter	Symbol	Condition	Min.	Typ.	Max.	Unit
Spectral response range	λ	Red	-	590 to 720	-	nm
		Green	-	480 to 600	-	
		Blue	-	400 to 540	-	
Peak sensitivity wavelength	λ_p	Red	-	620	-	nm
		Green	-	540	-	
		Blue	-	460	-	
Photosensitivity	SR	$\lambda_p=620$ nm	-74	-108	-	V/mW
	SG	$\lambda_p=540$ nm	-122	-156	-	
	SB	$\lambda_p=460$ nm	-88	-122	-	
Conversion impedance	ZtR	Red	-	680×10^3	-	V/A
	ZtG	Green	-	680×10^3	-	
	ZtB	Blue	-	680×10^3	-	
Output offset voltage	Vos	Dark state	Vref - 5	-	Vref + 5	mV
Maximum output amplitude voltage	VfsR	-	0.4	-	Vos	V
	VfsG					
	VfsB					
Output signal polarity*2	R		Negative			-
	G					
	B					
Output noise voltage	Vn	Dark state, within frequency bandwidth	-	5	-	mVp-p
Cutoff frequency	fc	-3 dB	Lower	DC	-	kHz
			Upper	2.4	-	
Current consumption	Is	Dark state	-	0.4	1.5	mA
Operating supply voltage	Vs		+2.7	+5	+5.5	V

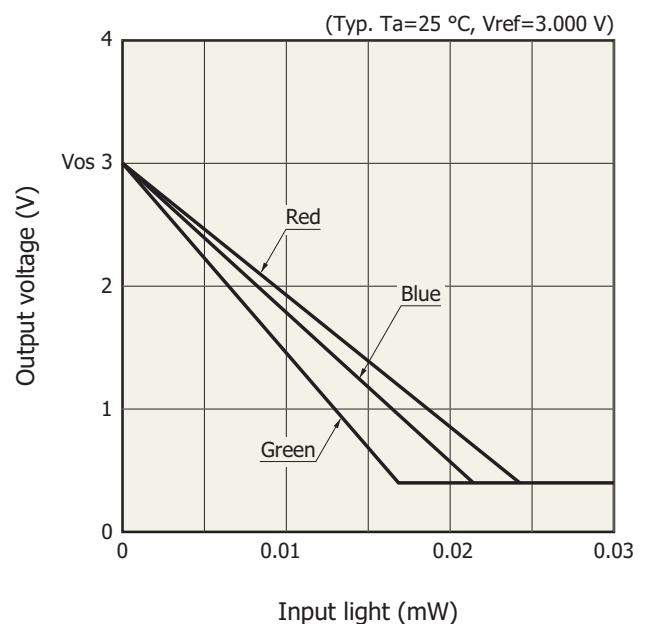
*2: See the following graph (Output voltage vs. input light).

Spectral response



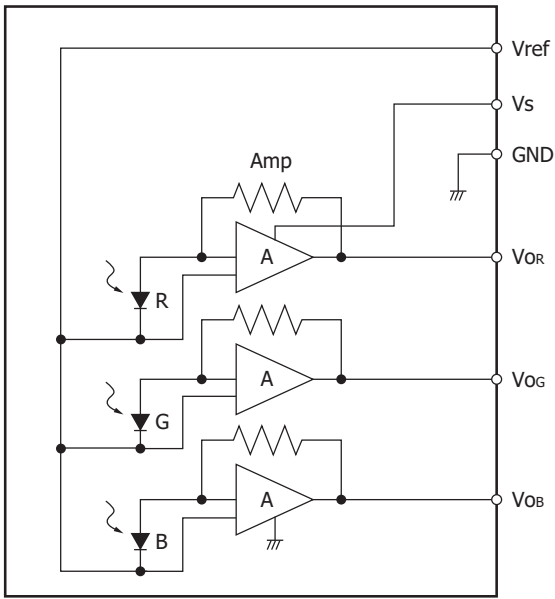
KACCB0123EA

Output voltage vs. input light



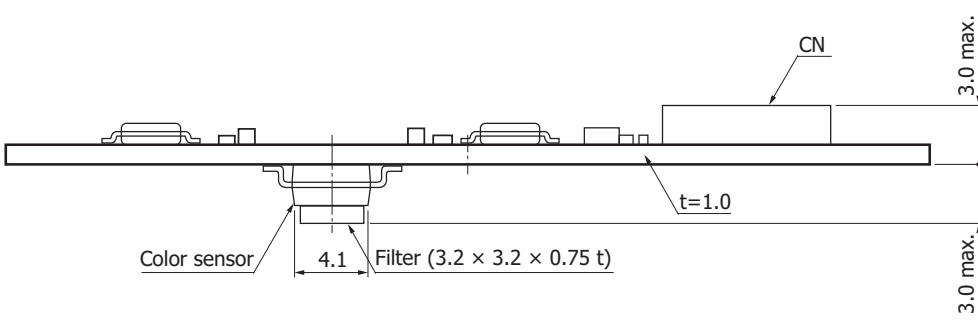
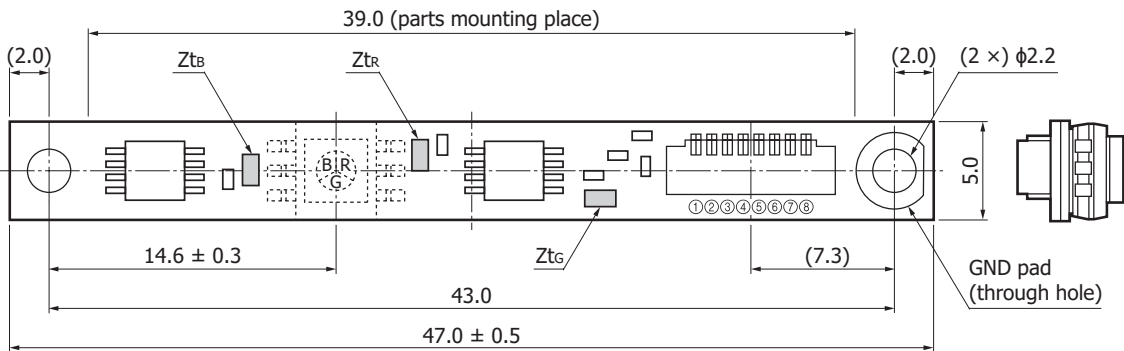
KACCB0124EB

Block diagram



KACCC0199EB

Dimensional outline (unit: mm)



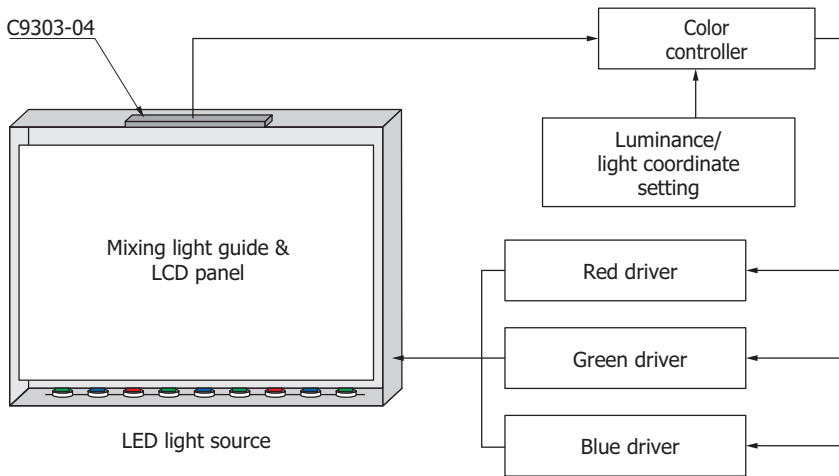
Connector: CN SM08B-SURS-TF (JST)
 Mating cable: AWG#32
 Tolerance unless otherwise noted: ±0.2

Pin no.	Signal
①	Vref
②	Vs
③	GND
④	NC
⑤	VOG
⑥	VOR
⑦	VOB
⑧	NC

KACCA0160EB

Application example

Optical feedback of backlight for TFT-LCD



LED: Made by Lumileds (LUXEON), <http://www.lumileds.com/>

KACCC0289EA

Accessories

- Instruction manual
- Dedicated cable with connector (500 ± 50 mm)

Related information

www.hamamatsu.com/sp/ssd/doc_en.html

Precautions

- Disclaimer

Information described in this material is current as of August 2019.

Product specifications are subject to change without prior notice due to improvements or other reasons. This document has been carefully prepared and the information contained is believed to be accurate. In rare cases, however, there may be inaccuracies such as text errors. Before using these products, always contact us for the delivery specification sheet to check the latest specifications.

The product warranty is valid for one year after delivery and is limited to product repair or replacement for defects discovered and reported to us within that one year period. However, even if within the warranty period we accept absolutely no liability for any loss caused by natural disasters or improper product use. Copying or reprinting the contents described in this material in whole or in part is prohibited without our prior permission.

HAMAMATSU

www.hamamatsu.com

HAMAMATSU PHOTONICS K.K., Solid State Division

1126-1 Ichino-cho, Higashi-ku, Hamamatsu City, 435-8558 Japan, Telephone: (81)53-434-3311, Fax: (81)53-434-5184

U.S.A.: Hamamatsu Corporation: 360 Foothill Road, Bridgewater, N.J. 08807, U.S.A., Telephone: (1)908-231-0960, Fax: (1)908-231-1218, E-mail: usa@hamamatsu.com

Germany: Hamamatsu Photonics Deutschland GmbH: Arzbergerstr. 10, D-82211 Herrsching am Ammersee, Germany, Telephone: (49)8152-375-0, Fax: (49)8152-265-8, E-mail: info@hamamatsu.de

France: Hamamatsu Photonics France S.A.R.L.: 19, Rue du Saule Trapu, Parc du Moulin de Massy, 91882 Massy Cedex, France, Telephone: (33)1 69 53 71 00, Fax: (33)1 69 53 71 10, E-mail: infos@hamamatsu.fr

United Kingdom: Hamamatsu Photonics UK Limited: 2 Howard Court, 10 Tewin Road, Welwyn Garden City, Hertfordshire AL7 1BW, United Kingdom, Telephone: (44)1707-294888, Fax: (44)1707-325777, E-mail: info@hamamatsu.co.uk

North Europe: Hamamatsu Photonics Norden AB: Torshamnsgatan 35 16440 Kista, Sweden, Telephone: (46)8-509 031 00, Fax: (46)8-509 031 01, E-mail: info@hamamatsu.se

Italy: Hamamatsu Photonics Italia S.r.l.: Strada della Moia, 1 int. 6, 20020 Arese (Milano), Italy, Telephone: (39)02-93 58 17 33, Fax: (39)02-93 58 17 41, E-mail: info@hamamatsu.it

China: Hamamatsu Photonics (China) Co., Ltd.: B1201, Jiaming Center, No.27 Dongsanhuan Beilu, Chaoyang District, 100020 Beijing, P.R.China, Telephone: (86)10-6586-6006, Fax: (86)10-6586-2866, E-mail: hpc@hamamatsu.com.cn

Taiwan: Hamamatsu Photonics Taiwan Co., Ltd.: 8F-3, No. 158, Section2, Gongdao 5th Road, East District, Hsinchu, 300, Taiwan R.O.C. Telephone: (886)3-659-0080, Fax: (886)3-659-0081, E-mail: info@hamamatsu.com.tw