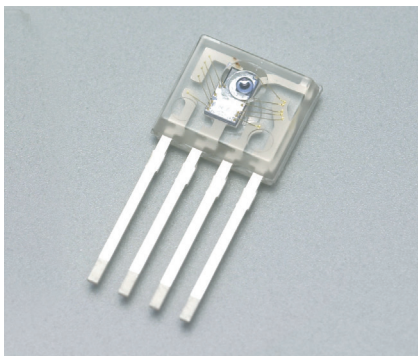


# Photo IC for optical link



S8046

## Receiver with sleeping mode suitable for 50 Mbps optical link

The S8046 is optical communication devices designed for POF (plastic optical fiber) data links. S8046 is a high sensitivity, high-speed photo IC that receives signals at 50 Mbps and covers a wide dynamic range of 21.5 dB. The output is TTL compatible. S8046 also features a sleeping mode in which operation automatically switches to low power dissipation mode when no light is input and switches back to normal operation mode when light is input from the optical fiber. The internal IC checks which mode is currently selected and this check signal is available from the mode output terminal. Current consumption in sleeping mode is approximately 1/400th that of normal operation mode.

### Features

- Sleeping mode (low power dissipation)
- 4 M to 50 Mbps
- Monolithic photo IC
- High reliability
- TTL output
- Wide dynamic range

### Applications

- High-speed data transmission even under poor environmental conditions with high noise

### Absolute maximum ratings (Ta=25 °C)

Parameter	Symbol	Value	Unit
Supply voltage	Vcc	-0.5 to +7.0	V
Output voltage	Vo	-0.5 to Vcc+0.5	V
Output current	Io	10	mA
Power dissipation	P	250*1	mW
Operating temperature	Topr	-40 to +85	°C
Storage temperature	Tstg	-40 to +85	°C
Soldering	-	230 °C, 5 s, at least 1.8 mm away from package surface	-

\*1: Power dissipation decreases at a rate of 1.75 mW/°C above Ta=25 °C

Note: Exceeding the absolute maximum ratings even momentarily may cause a drop in product quality. Always be sure to use the product within the absolute maximum ratings.

### Electrical and optical characteristics (Ta=25 °C, Vcc=4.5 to 5.5 V)

Parameter	Symbol	Condition	Min.	Typ	Max.	Unit	
Data rate	fD	bi-phase signal	4	-	50	Mbps	
Current consumption (in operation mode)	Icco	*2 *3	-	-	40	mA	
Current consumption (in sleeping mode)	Iccs	Pin = -∞	-	-	100	μA	
Minimum overload	Pimax	*2 *3 *5 *6	-8	-	-	dBm	
Minimum receiver input power	Pimin	*2 *3 *5 *6	-	-	-28.0	dBm	
Output voltage	H level output voltage	Voh	*2 *3 Ioh = -150 μA	2.7	-	-	V
	L level output voltage	Vol	*2 *3 Iol = 1.6 mA	-	-	0.4	V
	Rise time	tr	*2 *3 20 to 80%	-	-	5	ns
	Fall time	tf		-	-	5	ns
Pulse width distortion	Δt	*2 *3	-4	-	+8	ns	
Jitter	Δtj	*2 *3	-	-	5	ns	
Operation mode to sleeping mode switching input power	Psl	*2 *3 *5	-	-	-33	dBm	
Sleeping mode to operation mode switching input power	Pop	*2 *3 *5	-	-	-30	dBm	
Sleeping mode to operation mode switching time	tso	*2	-	-	200	μs	
Operation mode to sleeping mode switching time	tos	*2	-	-	500	μs	
Mode output	H level voltage	Vmh	*7	3.0	-	-	V
	L level voltage	Vml	*7	-	-	0.5	V

\*2: Input is a pseudo-random bi-phase signal at 50 Mbps.

\*3: CL=5 pF (including parasitic capacitance of probes, connectors and PC board)

\*4: Optical input signal is generated by our standard signal generator.

\*5: Average value (at 50% duty ratio)

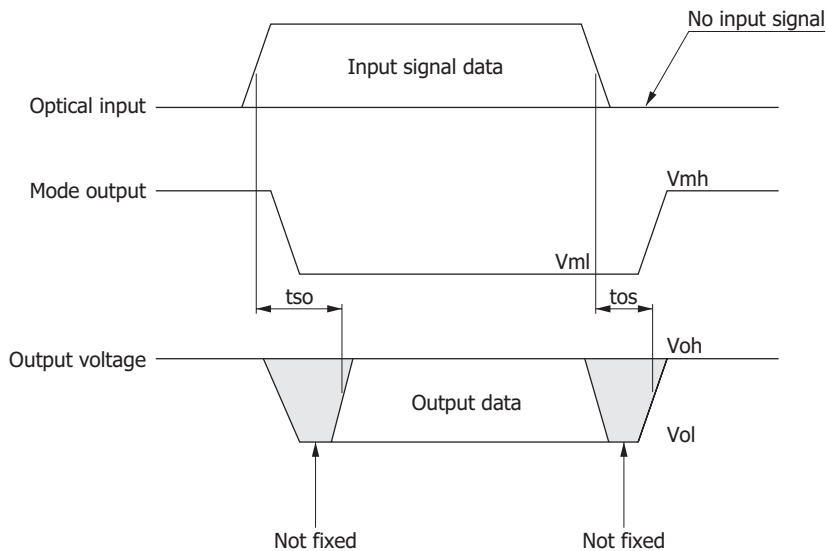
\*6: Pe=10<sup>-9</sup>

\*7: "H" in sleeping mode, "L" in operation mode

Note:

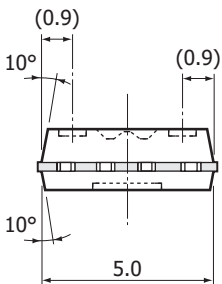
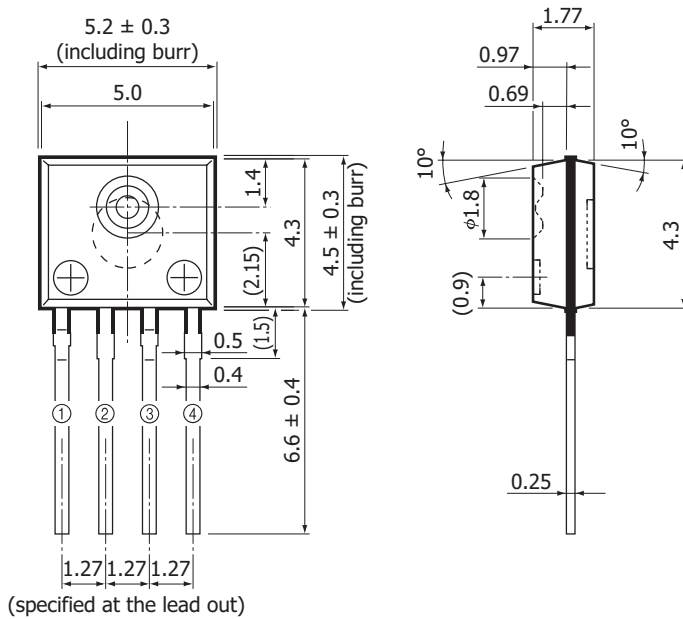
- A bypass capacitor (0.1 μF) and another capacitor (4.7 μF) are connected between Vcc and GND at a position within 3 mm from the lead.
- The center of the optical fiber is aligned with the center of the lens on the package. The distance between the fiber end and the lens is 0.1 mm.
- Output becomes undefined at a baud rate less than 4 Mbps.

### Mode switching chart



KPIC0066EB

### Dimensional outline (unit: mm)



- ① MODEOUT
- ② GND
- ③ Vout
- ④ Vcc

Tolerance unless otherwise noted:  $\pm 0.1$ ,  $\pm 0.2^\circ$   
 Shaded area indicates burr.  
 Values in parentheses indicate reference value.

KPICA004ZED

### Related information

[www.hamamatsu.com/sp/ssd/doc\\_en.html](http://www.hamamatsu.com/sp/ssd/doc_en.html)

#### Precautions

- Disclaimer
- Metal, ceramic, plastic products

Information described in this material is current as of March 2019.

Product specifications are subject to change without prior notice due to improvements or other reasons. This document has been carefully prepared and the information contained is believed to be accurate. In rare cases, however, there may be inaccuracies such as text errors. Before using these products, always contact us for the delivery specification sheet to check the latest specifications.

The product warranty is valid for one year after delivery and is limited to product repair or replacement for defects discovered and reported to us within that one year period. However, even if within the warranty period we accept absolutely no liability for any loss caused by natural disasters or improper product use. Copying or reprinting the contents described in this material in whole or in part is prohibited without our prior permission.

# HAMAMATSU

[www.hamamatsu.com](http://www.hamamatsu.com)

HAMAMATSU PHOTONICS K.K., Solid State Division

1126-1 Ichino-cho, Higashi-ku, Hamamatsu City, 435-8558 Japan, Telephone: (81)53-434-3311, Fax: (81)53-434-5184

U.S.A.: Hamamatsu Corporation, 360 Foothill Road, Bridgewater, N.J. 08807, U.S.A., Telephone: (1)908-231-0960, Fax: (1)908-231-1218, E-mail: [usa@hamamatsu.com](mailto:usa@hamamatsu.com)

Germany: Hamamatsu Photonics Deutschland GmbH, Arzbergerstr. 10, D-82211 Herrsching am Ammersee, Germany, Telephone: (49)8152-375-0, Fax: (49)8152-265-8, E-mail: [info@hamamatsu.de](mailto:info@hamamatsu.de)

France: Hamamatsu Photonics France S.A.R.L., 19, Rue du Saule Trapu, Parc du Moulin de Massy, 91882 Massy Cedex, France, Telephone: (33)1 69 53 71 00, Fax: (33)1 69 53 71 10, E-mail: [infos@hamamatsu.fr](mailto:infos@hamamatsu.fr)

United Kingdom: Hamamatsu Photonics UK Limited, 2 Howard Court, 10 Tewin Road, Welwyn Garden City, Hertfordshire AL7 1BW, United Kingdom, Telephone: (44)1707-294888, Fax: (44)1707-325777, E-mail: [info@hamamatsu.co.uk](mailto:info@hamamatsu.co.uk)

North Europe: Hamamatsu Photonics Norden AB, Torshamsgatan 35 16440 Kista, Sweden, Telephone: (46)8-509 031 00, Fax: (46)8-509 031 01, E-mail: [info@hamamatsu.se](mailto:info@hamamatsu.se)

Italy: Hamamatsu Photonics Italia S.r.l., Strada della Moia, 1 int. 6, 20020 Arese (Milano), Italy, Telephone: (39)02-93 58 17 33, Fax: (39)02-93 58 17 41, E-mail: [info@hamamatsu.it](mailto:info@hamamatsu.it)

China: Hamamatsu Photonics (China) Co., Ltd., B1201, Jiaming Center, No.27 Dongsanhuan Beilu, Chaoyang District, 100020 Beijing, P.R.China, Telephone: (86)10-6586-6006, Fax: (86)10-6586-2866, E-mail: [hpc@hamamatsu.com.cn](mailto:hpc@hamamatsu.com.cn)

Taiwan: Hamamatsu Photonics Taiwan Co., Ltd., 8F-3, No. 158, Section2, Gongdao 5th Road, East District, Hsinchu, 300, Taiwan R.O.C. Telephone: (886)3-659-0080, Fax: (886)3-659-0081, E-mail: [info@hamamatsu.com.tw](mailto:info@hamamatsu.com.tw)