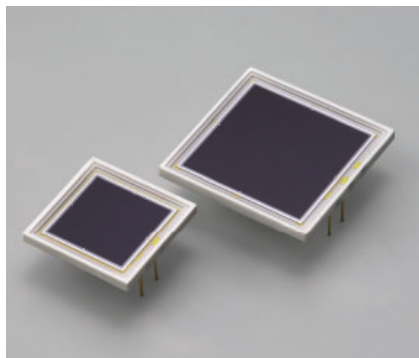


Si PIN photodiode

S3204/S3584 series



Large active area Si PIN photodiodes

Features

- ➔ Sensitivity matching with BGO and CsI (TI) scintillators
- ➔ High quantum efficiency (Unsealed type): QE=85 % ($\lambda=540$ nm)
- ➔ Low capacitance
- ➔ High-speed response
- ➔ High stability
- ➔ Good energy resolution

Applications

- ➔ Scintillation detectors
- ➔ Hodoscopes
- ➔ TOF counters

Structure / Absolute maximum ratings

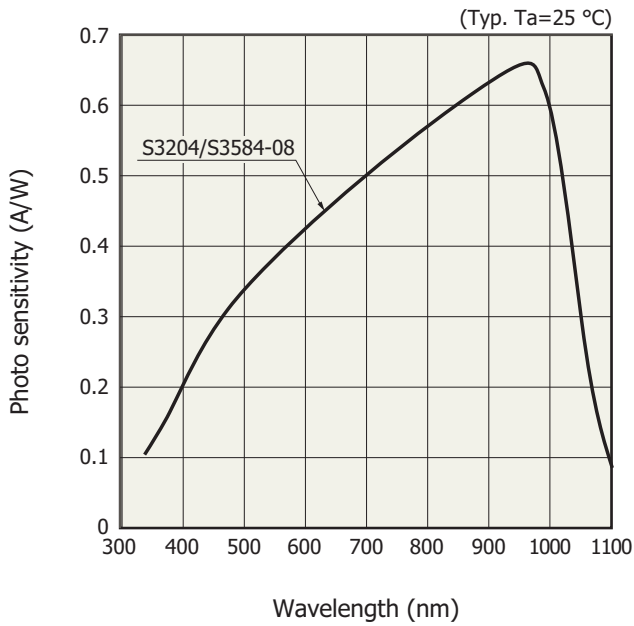
Type No.	Window material	Active area (mm)	Depletion layer thickness (mm)	Absolute maximum ratings			
				Reverse voltage V_R max	Power dissipation P (mW)	Operating temperature T_{opr} (°C)	Storage temperature T_{stg} (°C)
S3204-08	Epoxy resin	18 × 18	0.3	100	100	-20 to +60	-20 to +80
S3204-09	Unsealed						
S3584-08	Epoxy resin	28 × 28					
S3584-09	Unsealed						

Note: Absolute maximum ratings are the values that must not be exceeded at any time. If even one of the absolute maximum ratings is exceeded even for a moment, the product quality may be impaired. Always be sure to use the product within the absolute maximum ratings.

Electrical and optical characteristics (Typ. $T_a=25$ °C, unless otherwise noted)

Type No.	Spectral response range λ (nm)	Peak sensitivity wavelength λ_p (nm)	Photo sensitivity S			Short circuit current I_{sc} 100 lx (μ A)	Dark current I_D $V_R=70$ V		Temp. coefficient of I_D T_{CID} (times/°C)	Cut-off Frequency f_c $V_R=70$ V -3 dB (MHz)	Terminal capacitance C_t $f=1$ MHz $V_R=70$ V (pF)	NEP $V_R=70$ V (W/Hz ^{1/2})	
			$\lambda=\lambda_p$ (A/W)	LSO 420 nm (A/W)	BGO 480 nm (A/W)		CsI(TI) 540 nm (A/W)	Typ.					Max.
S3204-08	340 to 1100	960	0.66	0.20	0.30	0.36	340	6	20	1.12	20	130	6.6×10^{-14}
S3204-09				0.22	0.33	0.41	300						
S3584-08				0.20	0.30	0.36	780	10	30		10	300	8.6×10^{-14}
S3584-09				0.22	0.33	0.41	730						

Spectral response



Spectral response (without window)

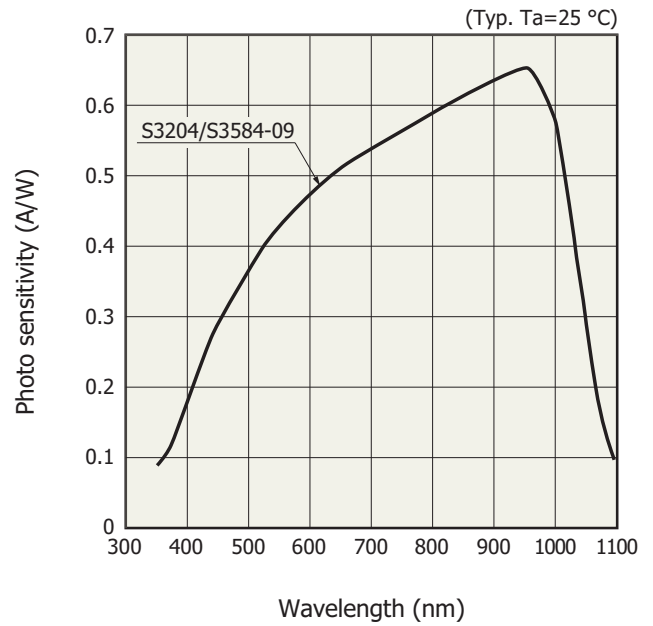
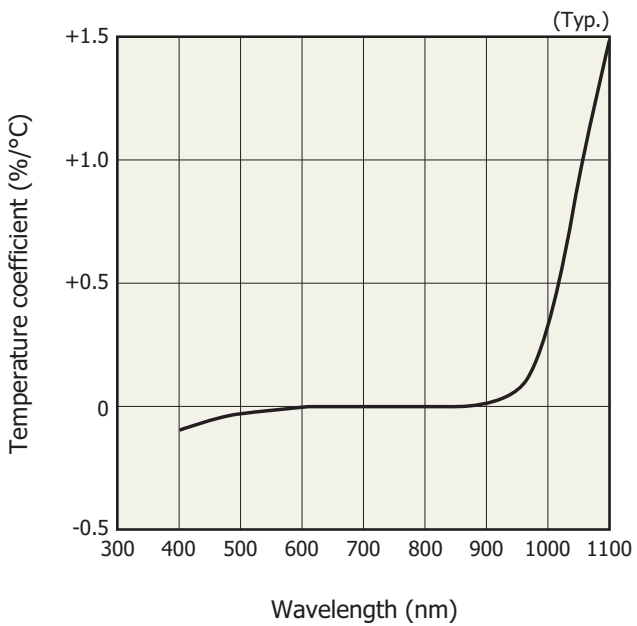
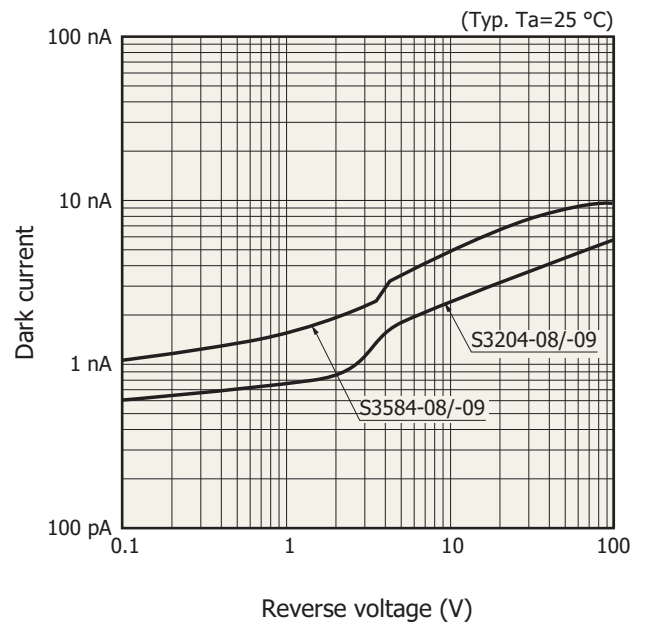


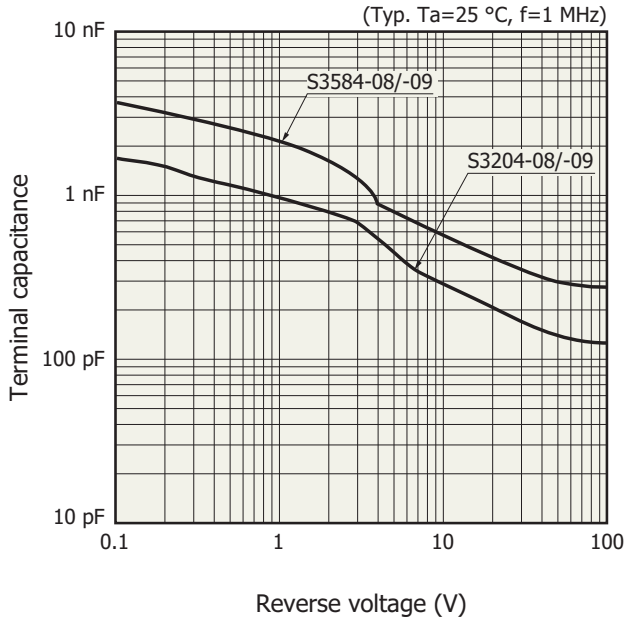
Photo sensitivity temperature characteristic



Dark current vs. reverse voltage



Terminal capacitance vs. reverse voltage

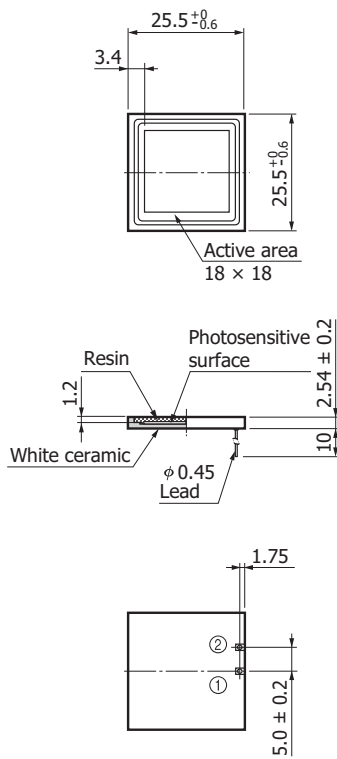


KPINB0230EE

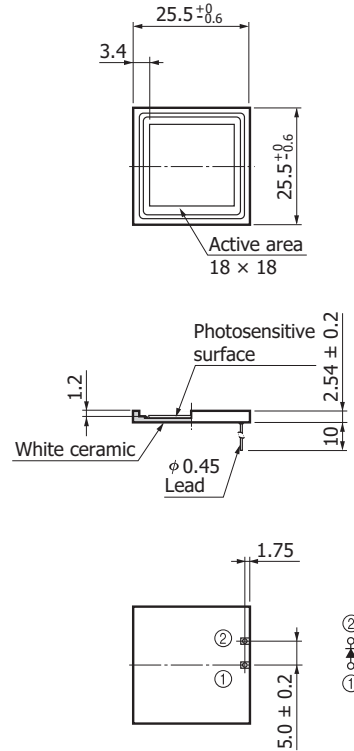
Dimensional outline (unit: mm)

S3204-08

S3204-09

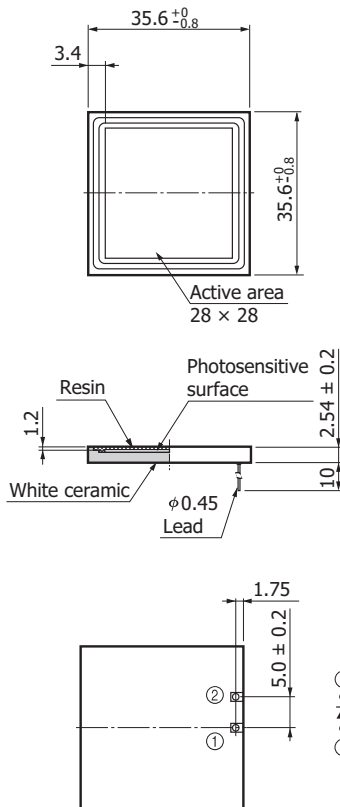


KPINA0040EC



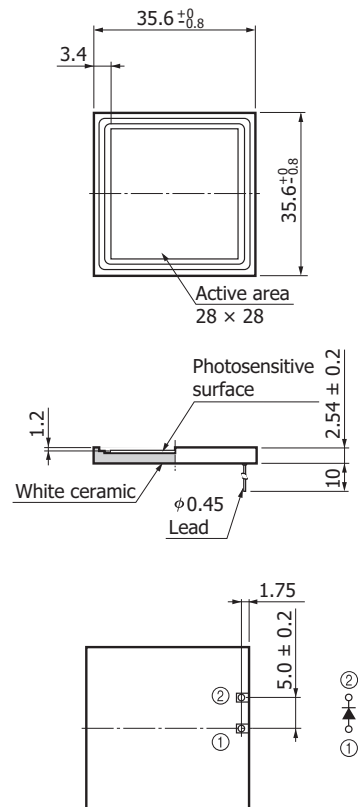
KPINA0110EA

S3584-08



KPINA0041ED

S3584-09



KPINA0111EA

Information described in this material is current as of January, 2012.

Product specifications are subject to change without prior notice due to improvements or other reasons. Before assembly into final products, please contact us for the delivery specification sheet to check the latest information.

The product warranty is valid for one year after delivery and is limited to product repair or replacement for defects discovered and reported to us within that one year period. However, even if within the warranty period we accept absolutely no liability for any loss caused by natural disasters or improper product use.

Copying or reprinting the contents described in this material in whole or in part is prohibited without our prior permission.

HAMAMATSU

www.hamamatsu.com

HAMAMATSU PHOTONICS K.K., Solid State Division

1126-1 Ichino-cho, Higashi-ku, Hamamatsu City, 435-8558 Japan, Telephone: (81) 53-434-3311, Fax: (81) 53-434-5184

U.S.A.: Hamamatsu Corporation: 360 Foothill Road, P.O.Box 6910, Bridgewater, N.J. 08807-0910, U.S.A., Telephone: (1) 908-231-0960, Fax: (1) 908-231-1218

Germany: Hamamatsu Photonics Deutschland GmbH: Arzbergerstr. 10, D-82211 Herrsching am Ammersee, Germany, Telephone: (49) 8152-375-0, Fax: (49) 8152-265-8

France: Hamamatsu Photonics France S.A.R.L.: 19, Rue du Saule Trapu, Parc du Moulin de Massy, 91882 Massy Cedex, France, Telephone: 33-(1) 69 53 71 00, Fax: 33-(1) 69 53 71 10

United Kingdom: Hamamatsu Photonics UK Limited: 2 Howard Court, 10 Tewin Road, Welwyn Garden City, Hertfordshire AL7 1BW, United Kingdom, Telephone: (44) 1707-294888, Fax: (44) 1707-325777

North Europe: Hamamatsu Photonics Norden AB: Smidesvägen 12, SE-171 41 Solna, Sweden, Telephone: (46) 8-509-031-00, Fax: (46) 8-509-031-01

Italy: Hamamatsu Photonics Italia S.R.L.: Strada della Moia, 1 int. 6, 20020 Arese, (Milano), Italy, Telephone: (39) 02-935-81-733, Fax: (39) 02-935-81-741

China: Hamamatsu Photonics (China) Co., Ltd.: 1201 Tower B, Jiaming Center, No.27 Dongsanhuan Beilu, Chaoyang District, Beijing 100020, China, Telephone: (86) 10-6586-6006, Fax: (86) 10-6586-2866