



This product, formerly sold by ams AG, and before that optionally by either Applied Sensors GmbH, acam-messelectronic GmbH or Cambridge CMOS Sensors, is now owned and sold by

# SciSense

The technical content of this document under ams / Applied Sensors / acam-messelectronic / Cambridge CMOS Sensors is still valid.

## Contact information

### Headquarters:

**SciSense B.V.**

High Tech Campus 10

5656 AE Eindhoven

The Netherlands

[info@sciosense.com](mailto:info@sciosense.com)

[www.sciosense.com](http://www.sciosense.com)



# Ultrasonic-Flow-Converter

## Data Sheet

## **TDC-GP21**

**Universal 2-Channel  
Time-to-Digital Converters**

March 13<sup>th</sup> 2014

Document-No: DB\_GP21\_en V1.6

**Published by acam-messelectronic gmbh**

©acam-messelectronic gmbh 2014

### **Disclaimer / Notes**

“Preliminary” product information describes a product which is not in full production so that full information about the product is not available yet. Therefore, acam-messelectronic gmbh (“acam”) reserves the right to modify this product without notice. The information provided by this data sheet is believed to be accurate and reliable. However, no responsibility is assumed by acam for its use, nor for any infringements of patents or other rights of third parties that may result from its use. The information is subject to change without notice and is provided “as is” without warranty of any kind (expressed or implied). All other brand and product names in this document are trademarks or service marks of their respective owners.

### **Support / Contact**

For a complete listing of Direct Sales, Distributor and Sales Representative contacts, visit the acam web site at:

<http://www.acam.de/sales/distributors/>

For technical support you can contact the acam support team in the headquarters in Germany or the Distributor in your country. The contact details of acam in Germany are:

support@acam.de

or by phone

+49-7244-74190.

## Content

1	Overview .....	1-3
1.1	Features.....	1-3
1.2	Blockdiagram .....	1-5
1.3	Ordering Numbers .....	1-5
2	Characteristics & Specifications .....	2-1
2.1	Electrical Characteristics .....	2-1
2.2	Converter Specification.....	2-4
2.3	Timings .....	2-7
2.4	Pin Description .....	2-10
2.5	Package Drawings .....	2-12
2.6	Power Supply.....	2-14
3	Registers & Communication .....	3-1
3.1	Configuration registers .....	3-1
3.2	Read registers.....	3-12
3.3	EEPROM .....	3-15
3.4	SPI-interface .....	3-16
4	Converter Frontend .....	4-1
4.1	TDC - Measurement mode 1 .....	4-1
4.2	TDC - Measurement mode 2 .....	4-9
4.3	Analog Input Section .....	4-17
4.4	Temperature Measurement.....	4-20
5	Details and Special Functions .....	5-1
5.1	Oscillator .....	5-1
5.2	Fire Pulse Generator .....	5-4
5.3	Fast Initialization .....	5-7
5.4	Noise Unit .....	5-8
5.5	EMC Measures .....	5-9
6	Applications .....	6-1
6.1	Ultrasonic Heat Meter .....	6-1
7	Miscellaneous .....	7-1
7.1	Bug Report .....	7-1
7.2	Last Changes .....	7-2



# 1 Overview

TDC-GP21 is next generation's upgrade for TDC-GP2. It offers pin-to-pin and functional compatibility, several feature improvements and an extended functionality. Analog elements like a chopper stabilized comparator and analog switches simplify external circuits in a significant manner. In parallel, measurement quality is improved and operating current is reduced. The firepulse generator is extended, a new low-power 32 kHz oscillator driver is implemented and the temperature measuring unit is further improved. All in all, the TDC-GP21 is perfectly suited to design ultra-compact and low-cost ultrasonic flow meters and heat meters. If the integrated analog elements of the TDC-GP21 are used, the average operating current of a typical heatmeter application can be reduced to 2.2  $\mu\text{A}$ .

## 1.1 Features

### Measurement mode 2

- 1 channel with typ. 90 ps resolution
- Double resolution mode with 45 ps, Quad resolution mode with 22 ps resolution
- Measurement range 700 ns to 4 ms
- 3-fold multihit capability with automatic processing of all 3 data

### Analog Input Circuit

- Chopper-stabilized low-offset comparator
- Offset programmable, -8 to 7 mV
- Integrated analog switches for input selection
- External circuit is reduced to 2 resistors and 2 capacitors

### Temperature Measurement Unit

- 2 or 4 sensors, PT500/PT1000 or higher
- Schmitt trigger integrated
- 16-Bit eff. with external Schmitt trigger, 17.5-Bit eff. with integrated low noise Schmitt trigger
- Ultra low current (0.08  $\mu\text{A}$  when measuring every 30 seconds)

## Special Functions

- Fire pulse generator, up to 127 pulses
- Trigger to rising and/or falling edge
- Precise stop enable by windowing
- Low-power 32 kHz oscillator (500 nA)
- Clock calibration unit
- 7x32 Bit EEPROM

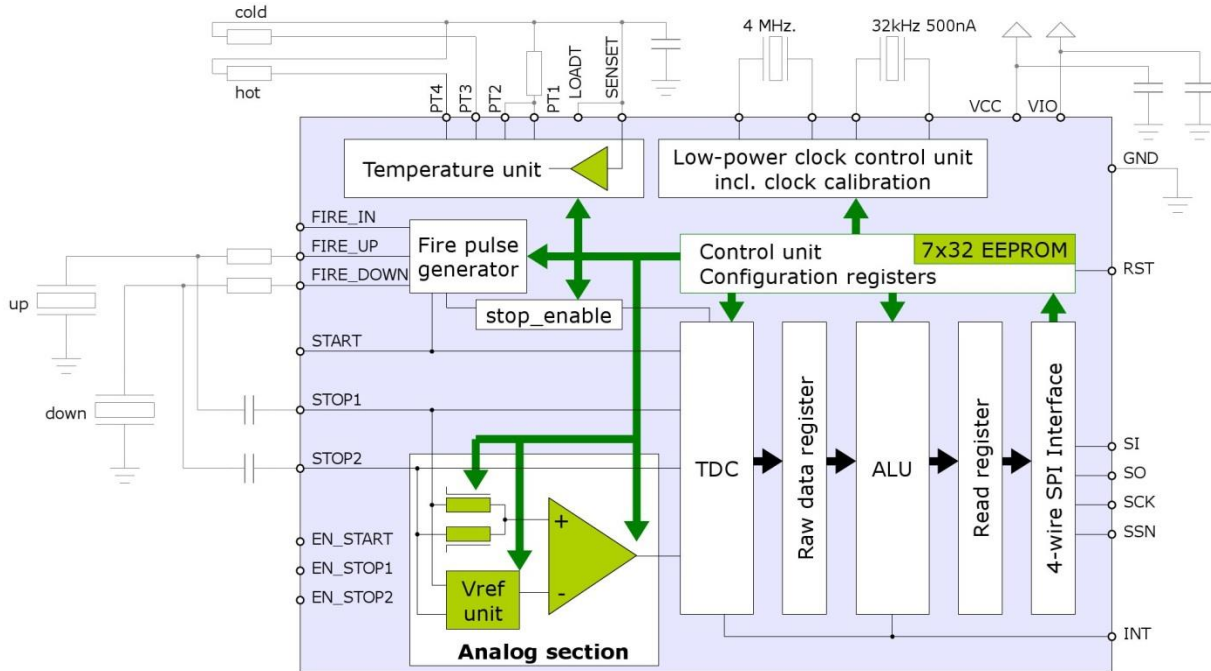
## Measurement mode 1

- 2 channels with typ. 90 ps resolution
- channel double resolution with typ. 45 ps
- Range 3.5 ns (0 ns) to 2.5  $\mu$ s
- 20 ns pulse-pair resolution, 4-fold multihit
- Up to 500 000 measurements per second in measurement mode 1

## General

- 4-wire SPI interface
- 500 kHz continuous data rate max.
- I/O voltage 2.5 V to 3.6 V
- Core voltage 2.5 V to 3.6 V
- Temperature range – 40 °C to +85 °C
- QFN 32 Package

## 1.2 Blockdiagram



## 1.3 Ordering Numbers

Part#	Package	Package Qty; Carrier	Order number
TDC-GP21	QFN32	5000/3000; T&R	MNR 1720
TDC-GP21	QFN32	490; Tray	MNR 1839
GP21-EVA-KIT	System	1; Box	MNR 1781

This product is RoHS compliant and does not contain any Pb.





## 2 Characteristics & Specifications

### 2.1 Electrical Characteristics

#### Absolute Maximum Ratings

Supply voltage

$V_{cc}$  vs. GND - 0.3 to 4.0 V

$V_{io}$  vs. GND - 0.3 to 4.0 V

$V_{in}$  - 0.5 to  $V_{cc} + 0.5$  V

Storage temperature ( $T_{stg}$ ) - 55 to 150 °C

ESD rating (HBM), each pin > 2 kV

Junction temperature ( $T_j$ ) max. 125 °C

#### Recommended Operating Conditions

Symbol	Parameter	Conditions	Min	Typ	Max	Unit
$V_{cc}$	Core supply voltage <sup>1</sup>	$V_{io} = V_{cc}$	2.5		3.6	V
$V_{io}$	I/O supply voltage		2.5		3.6	V
$t_{ri}$	Normal input rising time				200	ns
$t_{fa}$	Normal input falling time				200	ns
$t_{ri}$	Schmitt trigger rising time				5	ms
$t_{fa}$	Schmitt trigger falling time				5	ms
$T_a$	Ambient temperature	$T_j$ must not exceed 125°C	-40		125	°C
$R_{th(j-a)}$	Thermal resistance	junction-ambient		28		K/W

<sup>1</sup> including the oscillator pins XIN, XOUT, Clk32In, Clk32Out

## DC Characteristics ( $V_{io} = V_{cc} = 3.0\text{ V}$ , $T_j = -40\text{ to }+85^\circ\text{C}$ )

Symbol	Parameter	Conditions	Min	Typ	Max	Unit
$I_{32}$	Current 32 kHz	$I_{cc} + I_{io}$ , only 32 kHz oscillator running		1.0		$\mu\text{A}$
$I_{hs}$	Current 4 MHz oscillator	$V_{cc} = V_{io} = 3.6\text{ V}$ $= 3.0\text{ V}$ off		200 130 < 1		$\mu\text{A}$ $\mu\text{A}$ nA
$I_{tmu}$	Current time measuring unit	only during active time measurement		4		mA
$I_{ddq}$	Quiescent current	all clocks off, @ 85 °C		< 0.1		$\mu\text{A}$
$I_o$	Operating current	TOF_UP/DOWN, 1/s Temperature average, PT1000, 1/30s		1.1 0.15		$\mu\text{A}$
$V_{oh}$	High level output voltage	$I_{oh} = \text{tbd mA}$ , $V_{io} = \text{Min.}$	$0.8V_{io}$			V
$V_{ol}$	Low level output voltage	$I_{ol} = \text{tbd mA}$ , $V_{io} = \text{Min}$			$0.2V_{io}$	V
$V_{ih}$	High level input voltage	LVTTL Level, $V_{io} = \text{Max.}$	$0.7V_{io}$			V
$V_{il}$	Low level input voltage	LVTTL Level, $V_{io} = \text{Min.}$			$0.3V_{io}$	V
$V_{th}$	High level Schmitt trigger voltage		$0.7V_{io}$			V
$V_{tl}$	Low level Schmitt trigger voltage				$0.3V_{io}$	V
$V_h$	Schmitt trigger hysteresis			0.28		V

### Terminal Capacitance

Symbol	Terminal	Condition	Rated Value			Unit
			Min.	Typ.	Max.	
C <sub>i</sub>	Digital input	measured @ V <sub>CC</sub> = V <sub>IO</sub> , f = 1 MHz, T <sub>a</sub> = 25°C		7		pF
C <sub>o</sub>	Digital output					
C <sub>io</sub>	Bidirectional			9		
	PT ports			t.b.d.		
	Analog in			t.b.d.		

### Analog Frontend

Symbol	Terminal	Condition	Rated Value			Unit
			Min.	Typ.	Max.	
	Comparator input offset voltage (chopper stabilized)			< 1	2	mV
R <sub>dson(AS)</sub>	Switch-on resistance of analog switches at STOP1/STOP2 inputs			200		Ohm
R <sub>dson(FIRE)</sub>	Switch-on resistance of FIRE_UP, FIRE_DOWN output buffers	Symmetrical outputs, R <sub>dson</sub> (HIGH) = R <sub>dson</sub> (LOW)		4		Ohm
I <sub>fire</sub>	Output current FIRE_UP, FIRE_DOWN output buffers			48		mA

### EEPROM

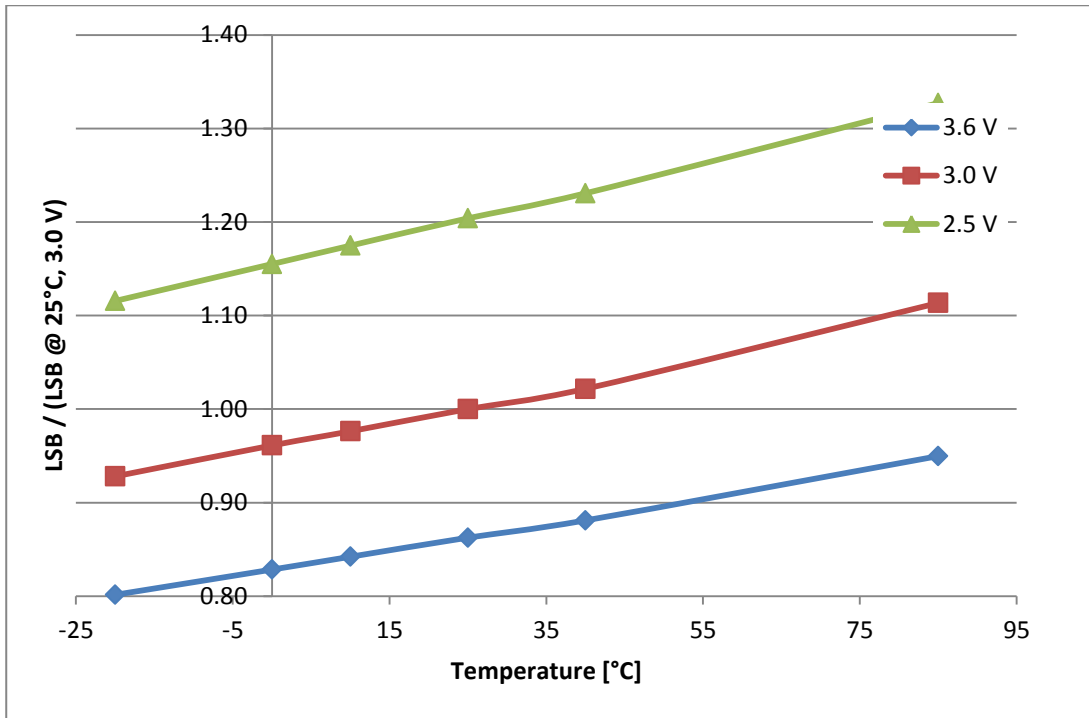
Symbol	Terminal	Condition	Minimum Value	Unit
	Data retention @ 85°C	normal	10	years
		with Error correction	practically endless	

## 2.2 Converter Specification

Time Measuring Unit ( $V_{io} = V_{cc} = 3.0\text{ V}$ ,  $T_j = 25^\circ\text{C}$ )

Symbol	Terminal	Condition	Rated Value			Unit
			Min.	Typ.	Max.	
LSB	Resolution (BIN-Size)	Measurement mode 1 & 2: DOUBLE_RES = 0 DOUBLE_RES = 1		90 45		ps
		Measurement mode 2: QUAD_RES = 1		22		ps
	Standard deviation Measurement Mode 1	DOUBLE_RES = 0 Delay = 200ns Delay = 1μs DOUBLE_RES = 1 Delay = 200ns		45 72 35		ps
	Standard deviation Measurement Mode 2	DOUBLE_RES = 0 Delay = 2μs Delay = 100μs DOUBLE_RES = 1 Delay = 2μs Delay = 100μs QUAD_RES = 1 Delay = 2μs Delay = 100μs		54 70 50 62 39 62		ps
$t_m$	Measurement range	Measurement mode 1	3.5 ns		2.4 μs =26224 *LSB	
		Measurement mode 2	700 ns		4 ms	
INL	Integral Non-linearity			< 0.1		LSB
DNL	Differential Non-linearity			< 0.8		LSB

Figure 2-1 Relative Variation of un-calibrated least significant bit with temperature and supply voltage, reference 3.0V/25°C



## Temperature Measuring Unit<sup>1</sup>

Symbol	Terminal	Internal Schmitt trigger		external Schmitt trigger <sup>2</sup>		Unit	
		PT500	PT1000	PT500	PT1000		
	Resolution RMS	17.5	17.5	16.0	16.0	Bit	
	SNR	105	105	96	96	dB	
	Absolute Gain <sup>3</sup>	0.9912	0.9931	0.9960	0.9979		
		3.6 V	0.9923	0.9940	0.9962	0.9980	
	Absolute Gain vs. $V_{io}$ <sup>3</sup>	3.0 V	0.9912	0.9931	0.9960	0.9979	
		2.5 V	0.9895	0.9915	0.9956	0.9979	
	Gain-Drift vs. $V_{io}$		0,25	0.23	0.06	0.04	%/V

	max. Gain Error [@ d $\theta$ = 100 K]	0,05%	0,05%	0,02%	< 0.01%	
	Gain-Drift vs. Temp	0.022	0.017	0.012	0.0082	%/10 K
	Gain-Drift vs. Vio			0,08		%/V
	Initial Zero Offset	< 20	<10	< 20	< 10	mK
	Offset Drift vs. Temp	< 0.05	< 0.03	< 0,012	< 0.0082	mK/ °C
	PSRR			>100		dB

<sup>1</sup> All values measured at Vio = Vcc = 3.0 V, Cload = 100 nF for PT1000 and 200 nF for PT500 (COG-type)

<sup>2</sup> measured with external 74AHC14 Schmitt trigger

<sup>3</sup> compared to an ideal gain of 1

## 2.3 Timings

At  $V_{CC} = 3.0\text{ V} \pm 0.3\text{ V}$ , ambient temperature  $-40\text{ }^{\circ}\text{C}$  to  $+85\text{ }^{\circ}\text{C}$  unless otherwise specified

### Oscillator

Symbol	Parameter	Min.	Typ.	Max.	Unit
Clk32	32 kHz reference oscillator		32,768		kHz
$t_{32st}$	32 kHz oscillator start-up time after power-up		250		ms
ClkHS	High-speed reference oscillator	2	4	8	MHz
$t_{oszst}$	Oscillator start-up time with ceramic resonator		100		$\mu\text{s}$
$t_{oszst}$	Oscillator start-up time with crystal oscillator		3		ms

#### Note:

It is strongly recommended to use a ceramic oscillator. Exactly because a quartz needs much longer to settle than a ceramic oscillator. This costs a lot current, but using a quartz oscillator has no advantage.

### Serial Interface

Symbol	Parameter	Max. @ $V_{IO} =$		Unit
		2.5 V	3.3 V	
$f_{clk}$	Serial clock frequency	15	20	MHz

Symbol	Parameter	Min. @ $V_{IO} =$		Unit
		2.5 V	3.3 V	
$t_{pwh}$	Serial clock, pulse width high	30	25	ns
$t_{pwl}$	Serial clock, pulse width low	30	25	ns
$t_{sussn}$	SSN enable to valid latch clock	40	10	ns
$t_{pwssn}$	SSN pulse width between write cycles	50	40	ns
$t_{hssn}$	SSN hold time after SCLK falling	40	25	ns
$t_{sud}$	Data set-up time prior to SCLK falling	5	5	ns
$t_{hd}$	Data hold time before SCLK falling	5	5	ns



Symbol	Parameter	Max. @ $V_{io} =$		Unit
		2.5 V	3.3 V	
$t_{vd}$	Data valid after SCLK rising	20	16	ns

Serial Interface (SPI compatible, Clock Phase Bit =1, Clock Polarity Bit =0):

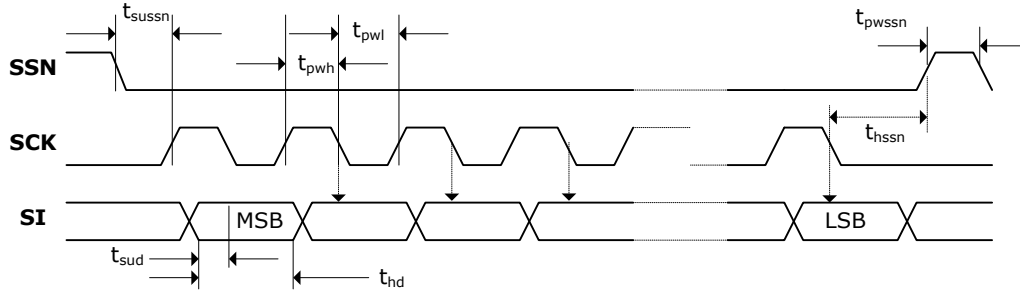


Figure 2-2 SPI Write

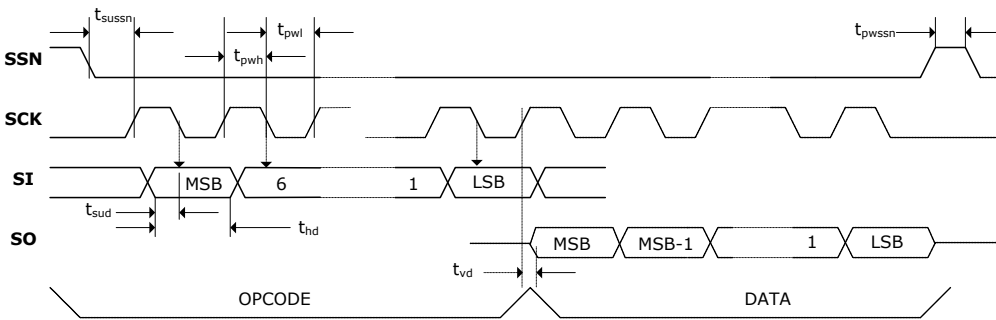


Figure 2-3 SPI Read

**Disable Timings**

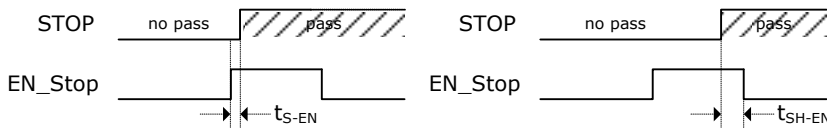


Figure 2-4 Disable Timings

Spec	Description	Measurement mode 1	Measurement mode 2
$t_{S-EN}$	Enable Setup Time	0 ns	0 ns
$t_{SH-EN}$	Enable Hold Time	1.5 ns	3.0 ns

## Reset Timings

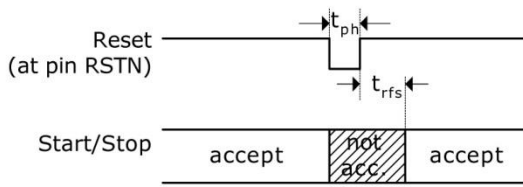


Figure 2-5 Reset Timings

Spec	Description	Typ. Min
$t_{ph}$	Reset pulse width	50 ns
$t_{rfs}$	Time after rising edge of reset pulse before further communication	200 ns
	Time after rising edge of reset pulse before analog section is ready	500 $\mu$ s

**2.4 Pin Description**

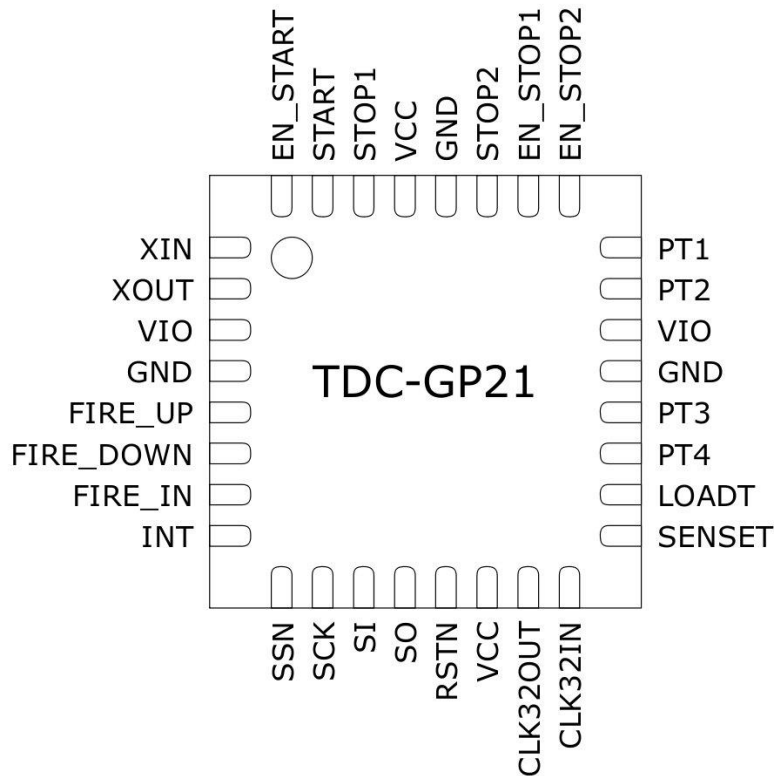


Figure 2-6 TDC-GP21 Pinout

No.	Name	Description	Buffer type	Value	If not used
1	XIN	Oscillator driver in			GND
2	XOUT	Oscillator driver out			
3	VIO	I/O – supply voltage			
4	GND	Ground			
5	FIRE_UP	Fire pulse generator output 1	48 mA		
6	FIRE_DOWN	Fire pulse generator output 2	48 mA		
7	FIRE_IN	Diagnostics output			GND
8	INTN	Interrupt flag	4 mA	LOW active	
9	SSN	Slave select		LOW active	
10	SCK	Clock serial interface			

No.	Name	Description	Buffer type	Value	If not used
11	SI	Data input serial interface			
12	SO	Data output serial interface	4 mA tristate		
13	RSTN	Reset input		LOW active	
14	VCC	Core supply voltage			
15	CLK32OUT	Output 32 kHz clock generator			n. c.
16	CLK32IN	Input 32 kHz clock generator			GND
17	SENSET	Sense input temperature measurement	Schmitt trigger		GND
18	LOADT	Load output temperature measurement	24 mA		n.c.
19	PT4*	Port 4 temperature measurement	> 96 mA open drain		
20	PT3*	Port 3 temperature measurement	> 96 mA open drain		
21	GND	Ground			
22	VIO	I/O – supply voltage			
23	PT2*	Port 2 temperature measurement	> 96 mA open drain		
24	PT1*	Port 1 temperature measurement	> 96 mA open drain		
25	EN_STOP2	Enable pin stop input 2		HIGH active	VIO
26	EN_STOP1	Enable pin stop input 1		HIGH active	VIO
27	STOP2	Stop input 2			GND
28	GND	Ground			
29	VCC	Core supply voltage			
30	STOP1	Stop input 1			GND
31	START	Start input			
32	EN_START	Enable pin start input		HIGH active	VIO

\*  $R_{DS(on)}$  temperature ports: typ. 1.8  $\Omega$  @ 3.0 V

2.5 Package Drawings

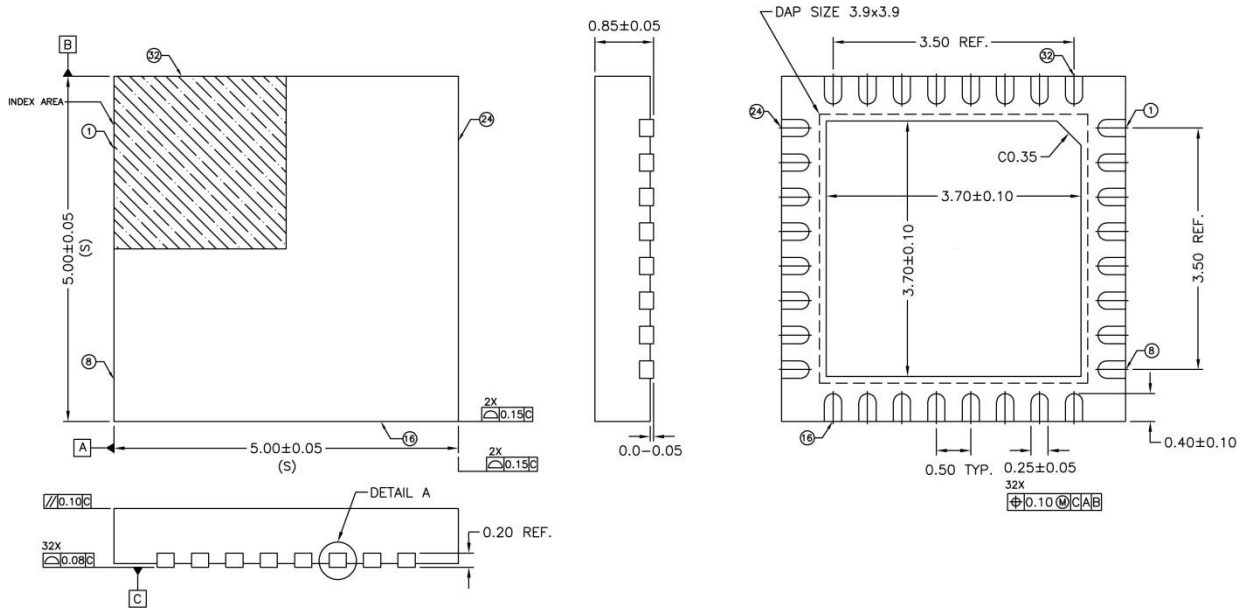


Figure 2-7 QFN-32 package outline,  $5 \times 5 \times 0.9$  mm<sup>3</sup>, 0.5 mm lead pitch

Caution: Center pad,  $3.70 \times 3.70$  mm<sup>2</sup>, is internally connected to GND. No wires other than GND are allowed underneath. It is not necessary to connect the center pad to GND.

Suitable socket: Plastronics 32QN50S15050D

Landing Pattern:

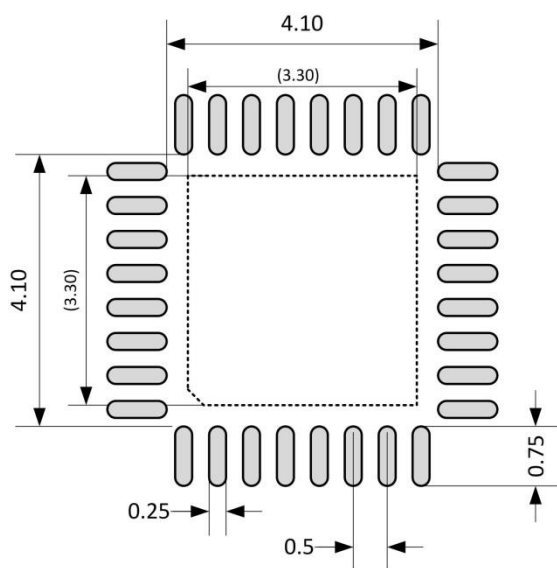


Figure 2-8

**Thermal resistance:** Roughly 28 K/W (value just for reference).

**Environmental:** The package is RoHS compliant and does not contain any Pb.

### Moisture Sensitive Level (MSL)

Based on JEDEC O2O Moisture Sensitivity Level definition the TDC-GP21 is classified as MSL 1.

### Soldering Temperature Profile

The temperature profile for infrared reflow furnace (in which the temperature is the resin's surface temperature) should be maintained within the range described below.

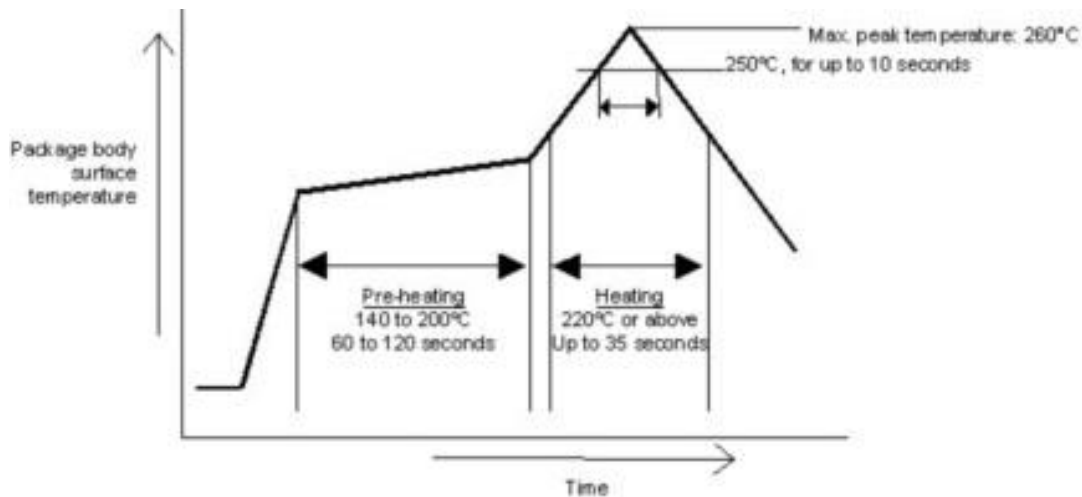


Figure 2-9 Soldering profile

## Maximum temperature

The maximum temperature requirement for the resin surface, given 260°C as the peak temperature of the package body's surface, is that the resin surface temperature must not exceed 250°C for more than 10 seconds. This temperature should be kept as low as possible to reduce the load caused by thermal stress on the package, which is why soldering for short periods only is recommended. In addition to using a suitable temperature profile, we also recommend that you check carefully to confirm good soldering results.

**Date Code:** YYWWA: YY = Year, WW = week, A = Assembly site code

## 2.6 Power Supply

### Supply voltage

TDC-GP21 is a high end mixed analog/digital device. To reach full performance of the chip a good power supply is mandatory. It should be high capacitive and of low inductance.

The TDC-GP21 provides two pairs of power supply terminals:

Vio - I/O supply voltage

Vcc - Core supply voltage

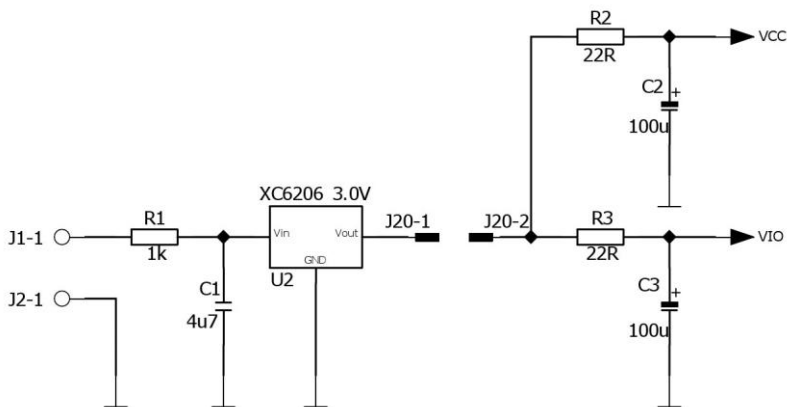


Figure 2-10

Both voltages should be applied with low series resistance from the same source. On the chip there are connected, but a separate external connection is recommended for good measurement quality. All ground pins should be connected to a ground plane on the

printed circuit board. Vio and Vcc should be provided by a battery or fixed linear voltage regulator. Do not use switched regulators to avoid disturbances caused by the I/O supply.

Vio and Vcc are connected internally on the chip. The resistance between both is in the range of several Ohms. However, Vio is connected to the pads with significantly lower impedance and therefore can provide this better than Vcc.

The measurement quality of a time-to-digital converter depends on a good power supply. The chip sees mainly pulsed current and therefore a sufficient bypassing is mandatory:

Vcc	47 to 100 $\mu$ F	(minimum 22 $\mu$ F)
Vio	100 $\mu$ F	(minimum 22 $\mu$ F)

The supply voltage should be provided through analog regulators. We strongly recommend not to use switch mode power supplies.

### Current consumption

The current consumption is the sum from different parties (all data for Vio = Vcc = 3.0V):

$I_{ddq}$	< 5 nA typ. @3.0V, 25°C	Quiescent current, no 32 kHz oscillator running
$I_{32}$	typ. 1.0 $\mu$ A	Standby current with active 32 kHz oscillator (GP21 waiting for command).
$I_{hs}$	typ. 130 $\mu$ A/s * (active runtime)	Current into the high speed oscillator at 3.0 V Vio. Example: In ultrasonic flow-meters the high-speed oscillator is on for about 2ms only. The average current consumption is 130 $\mu$ A/s * 2 ms = 0.26 $\mu$ A
$I_{tmu}$	typ. 4 mA/s * (active measuring time)	Current into the time measuring unit, In measurement mode 1 The time measuring unit is active for the start-stop time interval plus the calibration time interval of 2 periods of the reference clock per measurement. In measurement mode 2 the time measuring unit is on for average 4 periods of the reference clock per measurement, two for the time measurement and two for calibration. Example: With 10 measurements per second in measurement mode 2 and a 4 MHz reference clock the time measuring unit is active for



		only about 10 $\mu$ s.
		The average current is 4 mA/s * 10 $\mu$ s = 0.040 $\mu$ A.
$I_{ALU}$	typ. 7 nA per calculation	Current into ALU during data processing including a calibration calculation. Example: At 1000 measurements per second with 3 stops per start the ALU average current is 7 nA * 3000 = 21 $\mu$ A.
$I_T$	typ. 2.5 $\mu$ As * measure rate	The current for a full temperature measurement is typ.2.5 $\mu$ As. In heat-meters the temperature is measured typically once every 30 seconds. The average current is about 0.085 $\mu$ A
$I_{ana}$	typ. 0.8 mA	Current consumption of the integrated analog part of TDC-GP21 during a Time-of-flight (ToF) measurement. The analog part is active for a duration of 250 $\mu$ s + ToF.

## 3 Registers & Communication

### 3.1 Configuration registers

The TDC-GP21 has 7 configuration registers with 32 bit. The upper 24 bit are used for configuration and are write only. They are used to setup the TDC-GP21 operating mode. The lowest 8 bit can be used e.g. as an ID and can be read back.

For communication test please write to register 1 and read back the highest 8 bit from address 5.

#### Note:

The write registers of TDC-GP21 are fully upwards compatible with TDC-GP2. A given configuration of TDC-GP2 can directly be used one-to-one in TDC-GP21. The TDC-GP21 than works as a TDC-GP2. The add-on functionality can be selected in register 6 and reg1 Bits 7:0 which are not used in GP2. For proper work of TDC-GP21, a power-up reset via pin or SPI command is necessary after the power-up of the circuit.

#### 3.1.1 Alphanumeric listing of configuration parameters

Table 3-1: Configuration Parameters

Parameter	Old name (TDC-GP2)	Register	Bits	Default value	New or modified
ANZ_FAKE	No_Fake	0	15	0	
ANZ_FIRE	Fire#	0 6	28-31 8-10	2	x
ANZ_PER_CALRES	CALRES#	0	22,23	0	
ANZ_PORT	PORT#	0	17	1	
CALIBRATE	Calibrate	0	13	1	
CON_FIRE	CONF_FIRE	5	28-31	0	
CURR32K		1	15	0	x
CYCLE_TEMP		6	18,19	0	x
CYCLE_TOF		6	16,17	0	x
DELVAL1	DELVAL1	2	8-23	0	
DELVAL2	DELVAL2	3	8-23	0	
DELVAL3	DELVAL3	4	8-23	0	

Parameter	Old name (TDC-GP2)	Register	Bits	Default value	New or modified
DIS_PHASESHIFT	Dis_PhaseNoise	5	27	0	
DIV_CLKHS	ClkHSDiv	0	20,21	0	
DIV_FIRE	DIV_FIRE	0	24-27	2	
DOUBLE_RES		6	12	0	x
EN_ANALOG		6	31	0	x
EN_ERR_VAL	EN_ERR_VAL	3	29	0	
EN_FAST_INIT	EN_FAST_INIT	1	23	0	
EN_INT [2:0] [3]	EN_INT	2 6	29-31 21	1	x
EN_STARTNOISE	EN_STARTNOISE	5	28	0	
FIREO_DEF		6	14	0	x
HIT1	HIT1	1	24-27	5	
HIT2	HIT2	1	28-31	5	
HITIN1	HITIN1	1	16-18	0	
HITIN2	HITIN2	1	19-21	0	
HZ60		6	15	0	x
ID0		0	0-7	0	x
ID1		1	0-7	0	x
ID2		2	0-7	0	x
ID3		3	0-7	0	x
ID4		4	0-7	0	x
ID5		5	0-7	0	x
ID6		6	0-7	0	x
MESSB2	MRange2	0	11	1	
NEG_START	NEG_START	0	8	0	
NEG_STOP_TEMP		6	30	0	x
NEG_STOP1	NEG_STOP1	0	9	0	
NEG_STOP2	NEG_STOP2	0	10	0	
NO_CAL_AUTO	DisAutoCal	0	12	0	
PHFIRE	Phase_Fire	5	8-23	0	
QUAD_RES		6	13	0	x

Parameter	Old name (TDC-GP2)	Register	Bits	Default value	New or modified
REPEAT_FIRE	REPEAT_FIRE	5	24-26	0	
RFEDGE1	RFEDGE1	2	27	0	
RFEDGE2	RFEDGE2	2	28	0	
SEL_ECLK_TMP	SeIClKT	0	14	1	
SEL_START_FIRE		1	14	0	<b>x</b>
SEL_TIMO_MB2	SEL_TIMO_MR2	3	27,28	3	
SEL_TST01		1	8-10	0	<b>x</b>
SEL_TST02		1	11-13	0	<b>x</b>
START_CLKHS [1:0] [2]	START_ClKHS	0 6	18,19 20	1	<b>x</b>
TCYCLE	TCycle	0	16	0	
TEMP_PORTDIR		6	11	0	<b>x</b>
TW2		6	22,23	0	<b>x</b>

## 3.1.2 List of configuration registers

Bit number →	15	14	13	12	11	10	9	8	7	6	5	4	3	2	1	0
Parameter →	param1						k.d.									
Default value →							1	1	0	0	1	0	1	0	1	0

k.d. = keep default values

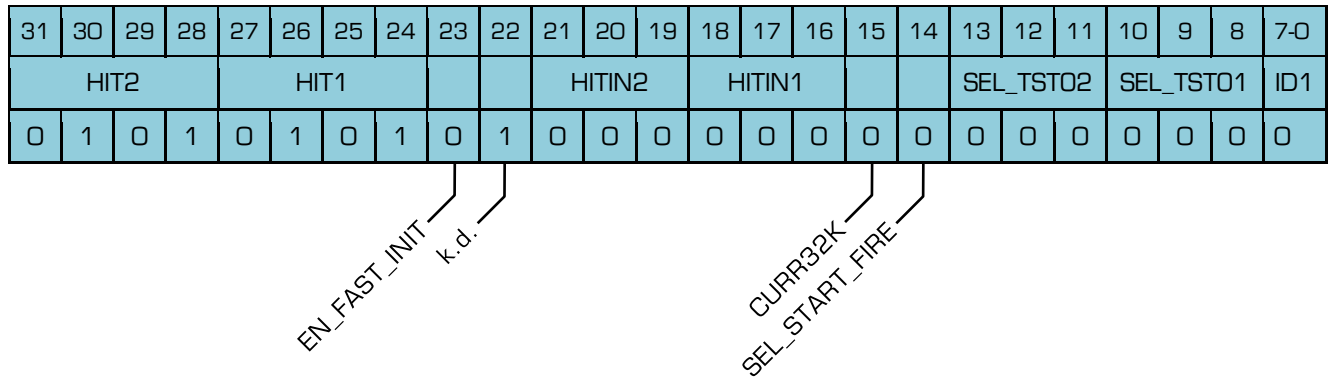
### Register 0 (address 0):

31	30	29	28	27	26	25	24	23	22	21	20	19	18	17	16	15	14	13	12	11	10	9	8	7-0							
ANZ_FIRE[3:0]				DIV_FIRE																								IDO			
0	0	1	0	0	0	1	0	0	0	0	0	0	1	1	0	0	1	1	0	1	0	1	0	0	0						

Parameter	Description	Settings
ANZ_FIRE[3:0] (FIRE#)	Sets number of pulses generated by fire pulse generator. Additional 3 bits are set in register 6. For values ANZ_FIRE > 15 the phase setting (PHFIRE) can not be used.	0 = off 1 = 1 pulse 2 = 2 pulses ... 127 = 127 pulses
DIV_FIRE	Sets predivider for internal clock signal of fire pulse generator	0 = not permitted 1 = divided by 2 2 = divided by 3 3 = divided by 4 ... 15 = divided by 16
ANZ_PER_CALRES (CALRES#)	Sets number of periods used for calibrating the ceramic resonator	0 = 2 periods = 61.035 µs 1 = 4 periods = 122.07 µs 2 = 8 periods = 244.14 µs 3 = 16 periods = 488.281 µs
DIV_CLKHS (ClkHSDiv)	Sets predivider for CLKHS	0 = divided by 1 1 = divided by 2 2 = divided by 4 3 = divided by 4 (also)

START_CLKHS[1:0]	Defines the time interval the chip waits after switching on the oscillator before making a measurement. Note: The highest bit to adjust START_CLKS is located in register 6, bit 20. This has to be set to 1 for settling times of 2.44 ms and 5.14 ms.	0 = Oscillator off 1 = Oscillator continuously on 2 = settling time 480 $\mu$ s 3 = settling time 1.46 ms 4 = settling time 2.44 ms 5 to 7 = settling time 5.14 ms
ANZ_PORT (PORT#)	Sets number of ports used for temperature measurement	0 = 2 temperature ports (PT1 and PT2) 1 = 4 temperature ports
TCYCLE	Sets cycle time for temperature measurement	0 = 128 $\mu$ s cycle time @ 4 MHz 1 = 512 $\mu$ s cycle time @ 4 MHz (recommended)
ANZ_FAKE (FAKE#)	Number of dummy cycles at the beginning of a temperature measurement	0 = 2 Fake measurements 1 = 7 Fake measurements
SEL_ECLK_TMP (SelClkT)	Select reference signal for internal cycle clock for temperature measurement	0 = use 32.768 kHz as cycle clock 1 = use 128 * CLKHS as period for cycle clock (32 $\mu$ s with 4 MHz high speed clock signal )
CALIBRATE	Enables/disables calibration calculation in the ALU	0 = calculation of calibrated results off (allowed only in measurement mode 1) 1 = calculation of calibrated results on (recommended)
NO_CAL_AUTO (DisAutoCal)	Enables/disables auto-calibration run in the TDC	0 = auto-calibration after measurement 1 = auto-calibration disabled
MESB2 (MRange2)	Switch to measurement mode 2	0 = measurement mode 1 1 = measurement mode 2
NEG_STOP2	Negation stop 2 input	0 = non-inverted input signal – rising edge 1 = inverted input signal – falling edge
NEG_STOP1	Negation stop 1 input	0 = non-inverted input signal – rising edge 1 = inverted input signal – falling edge
NEG_START	Negation start input	0 = non-inverted input signal – rising edge 1 = inverted input signal – falling edge
IDO	Free bits, e.g. to be used as identification or version number	

## Register 1 (address 1):



Parameter	Description	Settings	
HIT2	Defines operator for ALU data post-processing Measurement mode 1: HIT1-HIT2 Measurement mode 2: HIT2-HIT1	Measurement mode 1: 0 = Start 1 = 1. Stop Ch1 2 = 2. Stop Ch1 3 = 3. Stop Ch1 4 = 4. Stop Ch1 5 = no action 6 = Cal1 Ch1 7 = Cal2 Ch1 9 = 1. Stop Ch2 A = 2. Stop Ch2 B = 3. Stop Ch2 C = 4. Stop Ch2	Measurement mode 2: 2 = 1. Stop Ch1 3 = 2. Stop Ch1 4 = 3. Stop Ch1
HIT1	Defines operator for ALU data post-processing Measurement mode 1: HIT1-HIT2 Measurement mode 2: HIT2-HIT1	Measurement mode 1: 0 = Start 1 = 1. Stop Ch1 2 = 2. Stop Ch1 3 = 3. Stop Ch1 4 = 4. Stop Ch1 5 = no action 6 = Cal1 Ch1 7 = Cal2 Ch1 9 = 1. Stop Ch2 A = 2. Stop Ch2 B = 3. Stop Ch2 C = 4. Stop Ch2	Measurement mode 2: 1 = Start
EN_FAST_INIT	Enables fast init operation	0 = Fast init mode disabled 1 = Fast init mode enabled	
HITIN2	Number of expected hits on channel 2	0 = stop channel 2 disabled 1 = 1 hit 2 = 2 hits 3 = 3 hits 4 = 4 hits 5 to 7 = not permitted	

HITIN1	Number of expected hits on channel 1	<ul style="list-style-type: none"> <li>0 = stop channel 1 disabled</li> <li>1 = 1 hit</li> <li>2 = 2 hits</li> <li>3 = 3 hits</li> <li>4 = 4 hits</li> <li>5 to 7 = not permitted</li> </ul>
CURR32K	Low current option for 32 kHz oscillator. Basically there is no need to use high current option (1). Low current (0) also guarantees oscillation.	<ul style="list-style-type: none"> <li>0 = low current (recommended)</li> <li>1 = high current (GP2 compatibility)</li> </ul>
SEL_START_FIRE	Fire pulse is used as TDC start. The START input is disabled.	<ul style="list-style-type: none"> <li>0 = TDC-GP2 behavior</li> <li>1 = Use FIRE as Start</li> </ul>
SEL_TSTO2	Defines functionality of EN_START pin. Besides the GP2 functionality this pin can act as output for various signals. If SEL_TSTO2 > 0 then EN_START = HIGH internally.	<ul style="list-style-type: none"> <li>0 = GP2 functionality, High level enables the START pin.</li> <li>1 = START_TDC output</li> <li>2 = STOP1 TDC output</li> <li>3 = STOP2 TDC output</li> <li>4 = Stop Temperature measurement output</li> <li>5 = "0" indicates TOF_DOWN being active, "1" indicates TOF_UP being active</li> <li>6 = n.c.</li> <li>7 = 4 kHz (32 kHz/8) clock</li> </ul>
SEL_TSTO1	Defines functionality of FIRE_IN pin. Besides the GP2 functionality this pin can act as output for various signals. If SEL_TSTO1 > 1 the FIRE_IN is connected to GND internally.	<ul style="list-style-type: none"> <li>0 = GP2 functionality, FIRE_IN input for sing-around</li> <li>1 = START_TDC output</li> <li>2 = STOP1 TDC output</li> <li>3 = STOP2 TDC output</li> <li>4 = Start Temperature measurement output</li> <li>5 = EN_STOP by DELVAL output</li> <li>6 = Comparator out</li> <li>7 = 32 kHz clock</li> </ul>
ID1	Free bits, e.g. to be used as identification or version number	

**Register 2 (address 2):**

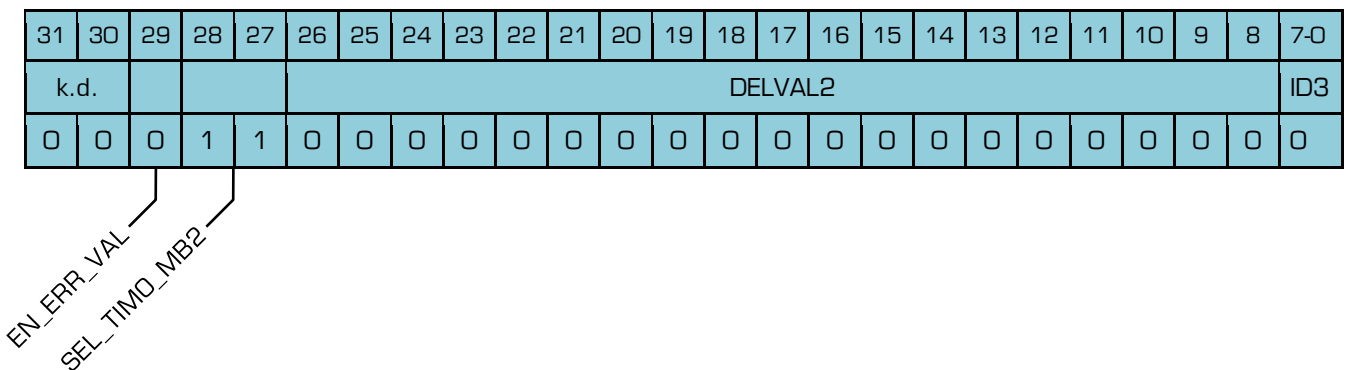
31	30	29	28	27	26	25	24	23	22	21	20	19	18	17	16	15	14	13	12	11	10	9	8	7-0	
EN_INT[2:0]					DELVAL 1																			ID2	
0	0	1	0	0	0	0	0	0	0	0	0	0	0	0	0	0	0	0	0	0	0	0	0	0	0

RFELDE2  
RFELDE1



Parameter	Description	Settings
EN_INT[2:0]	Activates interrupt sources wired by OR. Additional bit in register 6 (see there, too)	Bit 31 = Timeout interrupt enable Bit 30 = End Hits interrupt enable Bit 29 = ALU interrupt enable Reg6, BIT21 = End of EEPROM action
RFEDGE2	Edge sensitivity channel 2	0 = rising or falling edge 1 = rising and falling edge
RFEDGE1	Edge sensitivity channel 1	0 = rising or falling edge 1 = rising and falling edge
DELVAL1	Delay value for internal stop enable unit, hit 1 channel 1. Fixed point number with 14 integer and 5 fractional digits in multiples of $T_{ref}$	DELVAL1 = 0 to 16383.96875  Mandatory: If EN_ANALOG = 0 then set DELVAL1 = 0
ID2	Free bits, e.g. to be used as identification or version number	

**Register 3 (address 3):**



Parameter	Description	Settings
EN_ERR_VAL	Timeout forces ALU to write 'hFFFFFFF' into the output register	0 = disabled 1 = enabled
SEL_TIMO_MB2	Select predivider for timeout in measurement mode 2	0 = 64 $\mu$ s 1 = 256 $\mu$ s 2 = 1024 $\mu$ s 3 = 4096 $\mu$ s recommended @ 4 MHz ClkHS
DELVAL2	Delay value for internal stop enable unit, hit 2 channel 1. Fixed point number with 14	DELVAL2 = 0 to 16383.96875

	integer and 5 fractional digits in multiples of $T_{ref}$	Mandatory: If EN_ANALOG = 0 then set DELVAL2 = 0
ID3	Free bits, e.g. to be used as identification or version number	

**Register 4 (address 4):**

31	30	29	28	27	26	25	24	23	22	21	20	19	18	17	16	15	14	13	12	11	10	9	8	7-0	
k.d.					DELVAL3																		ID4		
0	0	1	0	0	0	0	0	0	0	0	0	0	0	0	0	0	0	0	0	0	0	0	0	0	0

Parameter	Description	Settings
DELVAL3	Delay value for internal stop enable unit, hit 3 channel 1. Fixed point number with 14 integer and 5 fractional digits in multiples of $T_{ref}$	DELVAL3 = 0 to 16383.96875 Mandatory: If EN_ANALOG = 0 then set DELVAL3 = 0
ID4	Free bits, e.g. to be used as identification or version number	

**Register 5 (address 5):**

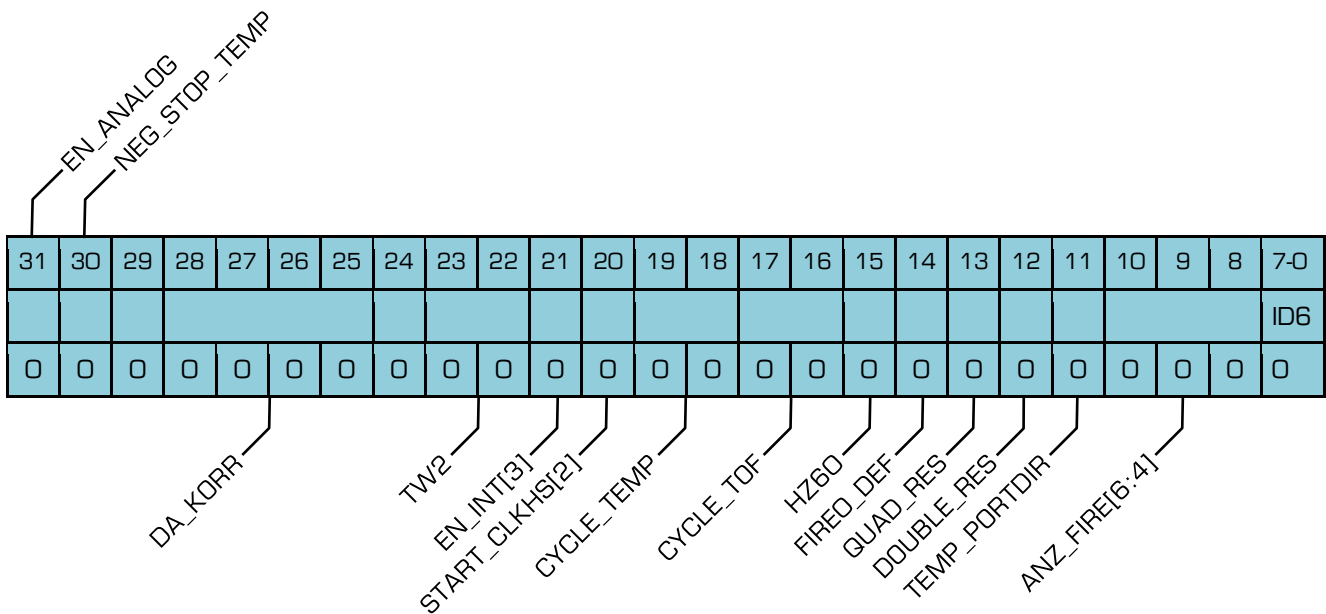
31	30	29	28	27	26	25	24	23	22	21	20	19	18	17	16	15	14	13	12	11	10	9	8	7-0	
					PHFIRE																		ID5		
0	0	0	0	0	0	0	0	0	0	0	0	0	0	0	0	0	0	0	0	0	0	0	0	0	0

CON\_FIRE — (bits 31, 30)  
 EN\_STARTNOISE — (bit 29)  
 DIS\_PHASESHIFT — (bits 28, 27)  
 REPEAT\_FIRE — (bits 26, 25)

Parameter	Description	Settings
CONF_FIRE	Output configuration for pulse generator 3'b 011 is not allowed	Bit 31 = 1: FIRE_BOTH (inverts FIRE_DOWN) Bit 30 = 1: enable output FIRE_UP Bit 29 = 1: enable output FIRE_DOWN
EN_STARTNOISE	Enables additional noise for start channel	1 = switch on noise unit
DIS_PHASESHIFT (Dis_PhaseNoise)	Phase noise unit. Improves statistics and should be enabled if start pulse generation is derived from the GP2 reference clock (e.g. with fire pulse generator).	1 = disables phase noise 0 = enables phase noise unit

REPEAT_FIRE	Number of pulse sequence repetition for "quasi-sing-around"	0 = no signal repetition 1 = 1 signal repetition 2 = 2 signal repetition ... 7 = 7 signal repetition
PHFIRE	Enables phase reversing for each pulse of a sequence of up to 15 possible pulses. PHFIRE[0..14] are available.	0 = no inversion, phase jump HIGH-LOW 1 = inversion, phase jump LOW-HIGH Bit 23 = 0 (mandatory)
ID5	Free bits, e.g. to be used as identification or version number	

### Register 6 (address 6):



Parameter	Description	Settings
EN_ANALOG	Activates the analog part for the ultrasonic flow measurement is. If active, this section is powered only for the duration of the measurement to save current. STOP1 and STOP2 are analog inputs now and automatically selected by the internal multiplexer.	0 = STOP1 and STOP2 are digital inputs (TDC-GP2 compatibility) 1 = The analog section is used.  Mandatory: If EN_ANALOG = 0 then set DELVAL1 = DELVAL2 = DELVAL3 = 0
NEG_STOP_TEMP	Inverts the SenseT input signal. This is mandatory when the internal comparator is used instead of the external one like in TDC-GP2	0 = external 74HC14 is used (TDC-GP2 compatibility) 1 = internal Schmitt trigger is used
DA_KORR	Sets comparator offset from -8 mV to +7	7 = 7 mV                      15 = - 1 mV

	mV. 2's complement	6 = 6 mV      14 = - 2 mV ... 1 = 1 mV      9 = - 7 mV 0 = 0 mV      8 = - 8 mV
TW2	Timer to charge up the capacitor of the recommend RC network when the internal analog part is used.	Charge time: 0 = 90 $\mu$ s 1 = 120 $\mu$ s 2 = 150 $\mu$ s 3 = 300 $\mu$ s, recommended setting
EN_INT[3]	Additional interrupt source. See also register 2 for the lower 3 bits of EN_INT. The various sources are wired by an OR. An EEPROM action, e.g. EEPROM_COMPARE, is managed by the TDC-GP21 and especially the EEPROM write may last up to 130ms. Indicating the end will be helpful.	1 = end of EEPROM action
START_CLKHS[2]	Highest bit to set the settling time for the high speed oscillator. The lower bits are set in register 0, bit 18 and 19.	0 = off 1 = continuously on 2 = 480 $\mu$ s delay 3 = 1.46 ms 4 = 2.44 ms 5 to 7 = 5.14 ms
CYCLE_TEMP	Selects timer for triggering the second temperature measurement in multiples of 50/60Hz	0 = 1 1 = 1.5 2 = 2 3 = 2.5
CYCLE_TOF	Selects timer for triggering the second ToF measurement in multiples of 50/60Hz	0 = 1 1 = 1.5 2 = 2 3 = 2.5
HZ60	TDC-GP21 can make complete up and down flow measurement and also two temperature measurements in series. The time interval between 2 measurements is based on 50 or 60 Hz.	0 = 50 Hz base, 20 ms 1 = 60 Hz base, 16.67ms
FIREO_DEF	Specifies the default level of the inactive fire buffer. Example: if FIRE_UP is active then the FIRE_DOWN buffer is connected to the default level. Setting 1 is mandatory when using the integrated analog section.	0 = High-Z (as in GP2) 1 = LOW
QUAD_RES	Option to improve the resolution by factor 4 from 90 ps to 22 ps. Can be used only in measurement mode 2.	0 = off (TDC-GP2 mode) 1 = on
DOUBLE_RES	Doubles the resolution from 90 ps to 45 ps. In measurement mode 1 this option limits the number of stop inputs to one (Stop1)	0 = off (TDC-GP2 mode) 1 = on
TEMP_PORTDIR	Ports for temperature measurement are measured in the opposite order.	0 = PT1 > PT2 > PT3 > PT4 1 = PT4 > PT3 > PT2 > PT1
ANZ_FIRE[6:4]	Highest 3 bits of the number of fire pulses. See also register 0. If ANZ_FIRE > 15 then	0 = off 1 = 1 pulse

	PHFIRE is no longer active.	2 = 2 pulses ... 127 = 127 pulses
ID6	Free bits, e.g. to be used as identification or version number	

### 3.2 Read registers

The result and status registers can be read by means of opcode 'hBx. The opcode is followed by 4, 2 or 1 bytes, depending on the address.

The ID register bits in the configuration registers can be read back by means of opcode 'hB7. This opcode is followed by 7 bytes in the order ID0, ID1 ... ID6, each byte with the MSB first.

Table 3-2: Read Registers

ADR	Symbol	Bits	Description									
0	RES_0	32	Measurement result 1, fixed-point number with 16 integer and 16 fractional digits $2^{15}$ <span style="float:right"><math>2^{-16}</math></span>									
1	RES_1	32	Measurement result 2, fixed-point number with 16 integer and 16 fractional digits									
2	RES_2	32	Measurement result 3, fixed-point number with 16 integer and 16 fractional digits									
3	RES_3	32	Measurement result 4, fixed-point number with 16 integer and 16 fractional digits									
4	STAT	16	15	14	13	12	11	10	9	8 - 6	5 - 3	2 - 0
			EEPROM_eq_CREG	EEPROM_DED	EEPROM_Error	Error short	Error open	Timeout Precounter	Timeout TDC	# of hits Ch 2	# of hits Ch 1	ALU_OP_PTR
5	REG_1	8	Content of highest 8 bits of write register 1, to be used for testing the communication									

#### 3.2.1 Result Registers

The data structure and the occupancy of the result registers depend on the operation mode and whether calibrated or non-calibrated data are stored. Several cases must be distinguished:

Only in measurement mode 1 negative results are possible.

In measurement mode 2 only positive results are possible, given as unsigned numbers.

A non-calibrated measure is possible only in measurement mode 1.

In measurement mode 1 with calibrated data (ALU) the time intervals that have to be measured can not exceed twice the period of the calibration clock. When measuring bigger time intervals an ALU - overflow will occur and 'hFFFFFFFF' is written in the appropriate result register.

#### **a. Measurement mode 1 with calibrated data (CALIBRATE = 1)**

The results are given in multiples of the internal reference clock (= external reference clock divided by 1, 2 or 4 (DIV\_CLKHS)). Calibrated data are 32 bit fixed point numbers with 16 integer bits and 16 fractional bits. Any calibrated result covers therefore 1 result register. The serial output begins with the highest bit ( $2^{15}$ ) and ends with the lowest one ( $2^{-16}$ ). The numbers are available in complements of 2.

$$\text{Time} = \text{RES\_X} * T_{\text{ref}} * 2^{\text{DIV\_CLKHS}} = \text{RES\_X} * T_{\text{ref}} * N, \text{ with } N = 1, 2 \text{ or } 4$$

$$\text{Time} < 2 * T_{\text{ref}} * 2^{\text{DIV\_CLKHS}}$$

#### **b. Measurement mode 1 without calibration (CALIBRATE = 0)**

Non-calibrated data are of the type 'Signed Integer' and are stored as a 16 bit value in the high word of the result registers. The bits of the low word are set to zero. The result is represented as number of LSB and is available in complements of 2.

$$\text{Time} = \text{RES\_X} * \text{LSB} \sim \text{RES\_X} * 90 \text{ ps}$$

#### **c. Measurement mode 2**

In measurement mode 2 the TDC-GP21 only supports calibrated measurement. The results are given in multiples of the internal reference clock (= external reference clock divided by 1, 2 or 4 (DIV\_CLKHS)). Calibrated data are 32 bit fixed point numbers with 16 integer bits and 16 fractional bits. Any calibrated result covers therefore 1 result register. The serial output begins with the highest bit ( $2^{15}$ ) and ends with the lowest one ( $2^{-16}$ ). The numbers are available in complements of 2.

$$\text{Time} = \text{RES\_X} * T_{\text{ref}} * 2^{\text{DIV\_CLKHS}} = \text{RES\_X} * T_{\text{ref}} * N, \text{ with } N = 1, 2 \text{ or } 4$$

## d. Temperature measurement

Discharge time in the same format as in c., measurement mode 2.

The ratio of the discharge times equal the ratio of resistance:

$$R_T = R_{ref} * \tau_T / \tau_{ref}$$

### 3.2.2 Status Register

Table 3-3: Status registers

Bits	Name	Description	Values
2 – 0	ALU_OP_PTR	ALU operation pointer. Pointer to the result register. See description below	
5 – 3	# of hits Ch 1	Number of hits registered on channel 1	
8 – 6	# of hits Ch 2	Number of hits registered on channel 2	
9	Timeout TDC	Indicates an overflow of the TDC unit	1 = overflow
10	Timeout Precounter	Indicates an overflow of the 14 bit precounter in MR 2	1 = overflow
11	Error open	Indicates an open sensor at temperature measurement	1 = open
12	Error short	Indicates a shorted sensor at temperature measurement	1 = short
13	EEPROM_Error	Single error in EEPROM which has been corrected	1 = error
14	EEPROM_DED	Double error detection. A multiple error has been detected which can not be corrected.	1 = multiple error
15	EEPROM_eq_CREG	Indicates whether the content of the configuration registers equals the EEPROM	1 = equal

### ALU Operation Pointer

Description: The ALU operation pointer is stored in bits 0-2 of the status register (range of 0x00 to 0x03) and provides an index to one of the 4 results registers (RES\_0 to RES\_3) as follows:

### 3.3 EEPROM

The TDC-GP21 has a 7x32 bit EEPROM. This EEPROM can be used to store the configuration data together with the ID or version number. Only the following three actions are possible:

- Write configuration register content into the EEPROM
- Transfer the EEPROM content into the configuration registers
- Compare the configuration registers' content with the EEPROM content

**Important Note:**

If values are to be stored in the EEPROM it is mandatory to ensure that NO measurement is running (neither ToF nor temperature nor calibration measurements). During measurement a write access to the EEPROM is not permitted. The write access to the EEPROM takes about 300 ms. With no consideration, the EEPROM may be written with incorrect values. It may even happen that adjustment values are overwritten which prevents proper operation of the TDC.

Besides the ID it is not possible to read back the EEPROM. This gives customers the possibility to program the chips by themselves and prohibit other to read back the configuration.

For verification it is possible to compare the configuration register may be compare with the EEPROM. Bit EEPROM\_eq\_CREG in the status register indicates whether the content is equal or not.

The EEPROM has an internal error correction (Hamming code). It is possible

- to detect and correct single bit errors,
- to detect multi-bit errors without correction

Errors are indicated in the status register, bits EEPROM\_Error (single bit) and EEPROM\_DED (double error detection).

\*\*\*\*\*With each read access/compare to the EEPROM the error bit is checked. In case a single bit error is detected a refresh cycle is started automatically and the data is restored.

The data retention of the EEPROM is > 10 years @ 85 °C without single or multiple errors. With regular Compare\_EEPROM commands (e.g. once per month) the data retention can be extended unlimited.



### 3.4 SPI-interface

The serial interface is compatible with the 4-wire SPI standard. It needs the SerialSelectNot (SSN) and can not operated as 3-wire interface.

SSN - Slave Select

SCK - SPI Clock

SI - SPI Data In

SO - SPI Data Out

The TDC-GP21 does only support the following SPI mode (Motorola specification)\*:

Clock Phase Bit = 1

Clock Polarity Bit = 0

SCK starts with LOW, data take over is with the falling edge of SCK. The timings are shown in section 2.3. The interrupt pin is set back to INTN = 1 if:

- SSN goes LOW
- or, in case SSN is already LOW, with the first rising edge of SCK.

#### SSN as Reset

The SerialSelectNot (SSN) line is the HIGH-active reset for the serial interface. After SSN is set to LOW different operations can be addressed, not depending on the status of the interface before the reset.

#### Note:

It is mandatory to set the SSN – line to High-state for at least 50 ns between each Read-/Write sequence.

\* There is no common SPI specification, especially for phase & polarity. Some microcontroller may need a different setting, e.g. MSP430 run with Clock Phase = Clock Polarity = 0

#### Opcodes

Table 3-4: Opcodes

Hex	MSB					LSB			Description	Followed by	New
'h8x	1	0	0	0	0	A2	A1	A0	Write into address A	24 bit or 32 bit data	
'hBx	1	0	1	1	0	A2	A1	A0	Read from address A	8, 16 or 32 bit data	
'hB7	1	0	1	1	0	1	1	1	Read ID bit	56 bit ID'S	<b>x</b>
'hC0	1	1	0	0	0	0	0	0	Write configuration registers into EEPROM		<b>x</b>
'hFO	1	1	1	1	0	0	0	0	Transfer EEPROM content into configuration registers		<b>x</b>
'hC6	1	1	0	0	0	1	1	0	Compare configuration registers with EEPROM		<b>x</b>
'h70	0	1	1	1	0	0	0	0	Init		
'h50	0	1	0	1	0	0	0	0	Power On Reset		
'h01	0	0	0	0	0	0	0	1	Start_TOF		
'h02	0	0	0	0	0	0	1	0	Start_Temp		
'h03	0	0	0	0	0	0	1	1	Start_Cal_Resonator		
'h04	0	0	0	0	0	1	0	0	Start_Cal_TDC		
'h05	0	0	0	0	0	1	0	1	Start_TOF_Restart		<b>x</b>
'h06	0	0	0	0	0	1	1	0	Start_Temp_Restart		<b>x</b>

The transfer starts with the MSB and is finished sending the LSB. The transfer is done bitwise. Data transfer can be stopped after each byte, sending a LOW-HIGH-LOW on the SSN line.

Example:

'h80 + 3 bytes will write configuration register 0 in the TDC-GP2 compatible mode.

'h80 + 4 bytes will write configuration register 0 including ID0 (TDC-GP21 only).

It is not possible to do incremental writing. Each register must be addressed separately.

### 3.4.1 Opcode Explanations

- 'hC0, 'hF0, 'hC6 all refer to EEPROM operations. Those may last up 130 ms, especially the EEPROM write. Therefore, the EN\_INT bit 3 in register 6 indicates the end of the EEPROM operation. This can be used to adjust microprocessor actions.
- 'h01, Start\_TOF: triggers a sequence for a single time-of-flight measurement. First, the 4 MHz oscillator is switched on. After the delay set to settle the oscillator (START\_CLKHS), the comparator and the reference voltage are switched on. The receiver capacitor is charged up th Vref while inactive fire buffer is pulled down to GND. After the delay set to charge up the capacitor (TW2), the fire buffer sends the fire pulses. After the delay set in DELVAL the TDC stop channel is open. At the end of the measurement the analog section and the 4 MHz are switched off and the current consumption drops down to near zero. The interrupt is set, pin INTN = LOW.
- 'h05, Start\_TOF\_Restart: This opcode runs the Start\_TOF sequence twice, in up and down direction as it is typical in ultrasonic flow meters. The interrupt is set, pin INTN = LOW, when the time measurement for each direction is finished. So, for one Start\_TOF\_Restart command the microprocessor sees two interrupts and has to read twice. The time interval between the up and down measurement is set by configuration parameter CYCLE\_TOF in multiples of 50 Hz or 60 Hz. The right selection of the delay between the two measurements suppresses 50/60 Hz noise.

CYCLE_TOF	factor	HZ60 = 0(50Hz)	HZ60 = 1(60Hz)
0	1	20 ms	16.67 ms
1	1.5	30 ms	25.00 ms
2	2	40 ms	33.33 ms
3	2.5	50 ms	41.67 ms

- 'h02, Start\_Temp: triggers a single temperature measurement sequence. It begins with the fake measurements (ANZ\_FAKE) on port PTO. Then it measures ports PTO > PT1 > PT2 > PT4. If TEMP\_PORTDIR is set one then the sequence of ports is inverted, starting with the fake measurements at port PT4.
- 'h06, Start\_Temp\_Restart: This opcode runs the Start\_Temp sequence twice. The time interval between the up and down measurement is set by configuration

parameter CYCLE\_TEMP in multiples of 50 Hz or 60 Hz. The right selection of the delay between the two measurements suppresses 50/60 Hz noise.

CYCLE_TEMP	factor	HZ60 = 0 (50Hz)	HZ60 = 1 (60Hz)
0	1	20 ms	16.67 ms
1	1.5	30 ms	25.00 ms
2	2	40 ms	33.33 ms
3	2.5	50 ms	41.67 ms

- 'h03, Start\_Cal\_Resonator: Triggers a calibration measurement of the high speed oscillator. The TDC measures a time interval between 61  $\mu$ s and 488  $\mu$ s, specified in ANZ\_PER\_CALRES. The end of the measurement is indicated by the interrupt. The result, in multiples of the high speed clock period, is stored in result register 0. Dividing this by the theoretical value gives the correction factor.
- 'h04, Start\_Cal\_TDC: This command starts a measurement of 2 periods of the reference clock. It is used to update the calibration raw data. Typically, the chip is configured for auto-calibration and this command is not necessary.

### 3.4.2 SPI Sample

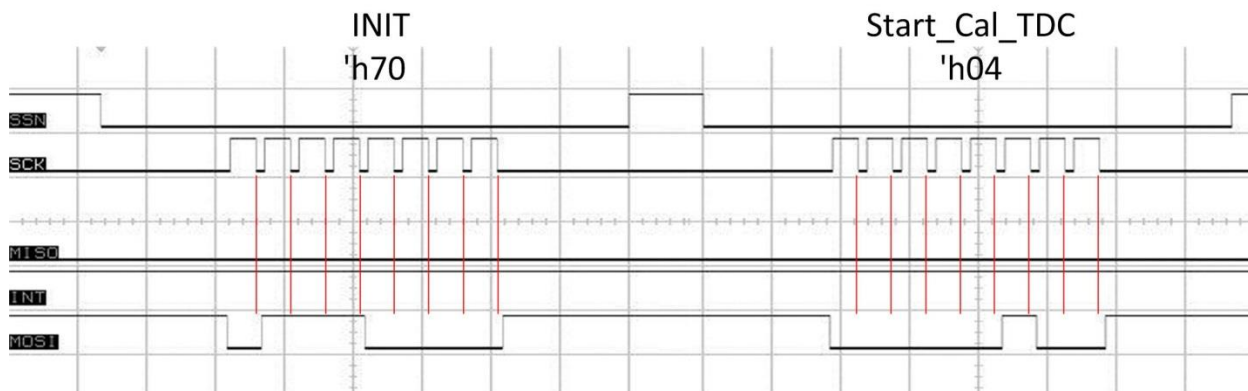


Figure 3-1: Sample scope picture for sequence INIT 'h70 and Start\_Cal\_TDC = 'h04



## 4 Converter Frontend

### 4.1 TDC - Measurement mode 1

#### 4.1.1 General Description

- Measurement range from 3.5 ns to 2.4  $\mu$ s (0 to 2.4  $\mu$ s between stop channels)
- 2 stop channels referring to one start channel each of typ. 90 ps resolution
- 1 stop channel referring to one start channel with typ. 45 ps resolution
- 20 ns pulse pair resolution
- 4-fold multihit capability for each stop channel
- Selectable rising/falling edge sensitivity for each channel
- Enable pins for windowing functionality
- The possibility to arbitrarily measure all events against each other
- Typical application: Laser ToF, RF ToF, ATE

Digital TDCs use internal propagation delays of signals through gates to measure time intervals with very high precision. Figure 5 clarifies the principal structure of such an absolute-time TDC. Intelligent circuit structures, redundant circuitry and special methods of layout on the chip make it possible to reconstruct the exact number of gates passed by the signal. The maximum possible resolution strongly depends on the maximum possible gate propagation delay on the chip.

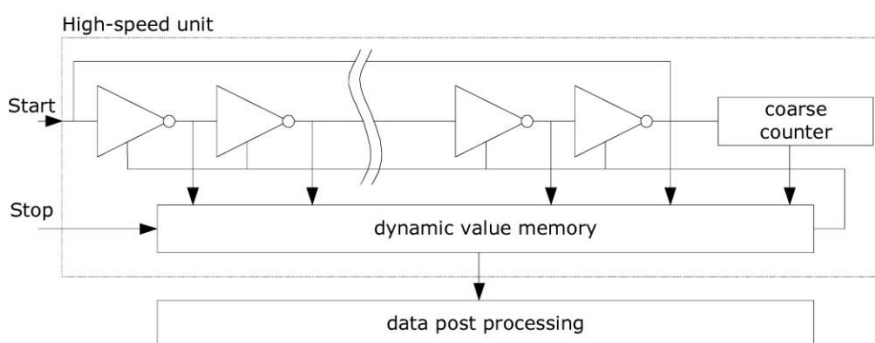


Figure 4.1

The measuring unit is triggered by a START signal and stopped by a STOP signal. Based on the position of the ring oscillator and the coarse counter the time interval between START and STOP is calculated with a 20 bit measurement range.

The BIN size (LSB) is typically 90 ps at 3.3 V and 25 °C ambient temperature. The RMS noise is about 60 ps (0.7 LSB). The gate propagation delay times strongly depend on temperature and voltage. Usually this is solved doing a calibration. During such a calibration the TDC measures 1 and 2 periods of the reference clock.

The measurement range is limited by size of the counter:

$$t_{yy} = \text{BIN} \times 26224 \sim 90 \text{ ps} \times 26224 = 2.4 \text{ } \mu\text{s}$$

	Time (Condition)	Description
$t_{ph}$	2,5 ns (min.)	Minimum pulse width
$t_{pl}$	2,5 ns (min.)	Minimum pulse width
$t_{ss}$	3.5 ns (min) 2.4 $\mu\text{s}$ (max.)	Start to Stop
$t_{rr}$	20 ns (typ.)	Rising edge to rising edge
$t_{ff}$	20 ns (typ.)	
$t_{va}$	1.24 $\mu\text{s}$ uncalibrated 4.25 $\mu\text{s}$ calibrated	Last hit to data valid
$t_{xx}$	No timing limits	
$t_{yy}$	2.4 $\mu\text{s}$ (max)	Max. measurement range = 26224 * LSB

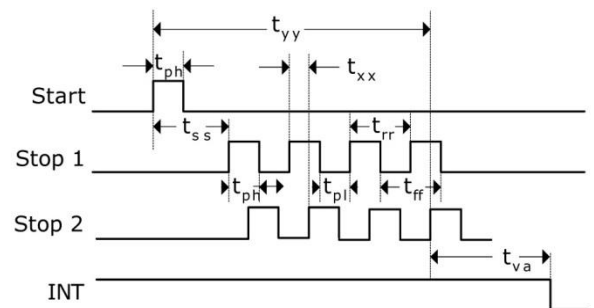


Figure 4.2

## Input circuitry

Each input separately can be set to be sensitive to rising or falling edge or both edges. This is done in register 0, bits 8 to 10. (NEG\_START, NEG\_STOP1, NEG\_STOP2) and register 2, bit 27 & 28, RFEDGE<sub>x</sub>.

Furthermore all Start/Stop-inputs support a high active enable pin.

## 4.1.2 Measurement Flow

### Configuration

At the beginning the TDC-GP21 has to be configured. The main settings for measurement mode 1 are:

## a. Select measurement mode 1

Set register 0, bit 11, MESSB2 = 0.

Register 6, bit 12, DOUBLE\_RES = 1 selects double resolution. With this bit set the resolution is typ. 45 ps instead of 90 ps, but only one STOP channel is available.

## b. Select the reference clock (see also section 5.1)

Register 0, bits 18 & 19 and register 6, bit 20, START\_CLKHS defines the switch-on behavior of the high-speed clock. If only the 32 kHz is used it should be "0". If only the high-speed clock is used it should be "1" (continuously on).

Register 0, bits 20 & 21, DIV\_CLKHS sets an additional internal divider for the reference clock (1, 2 or 4). This is important for calibrated measurements in measurement mode 1 because the ALU works correctly only if  $2 * T_{ref}(intern)$  is bigger than the maximum time interval to be measured. Otherwise the ALU output is 'hFFFFFFF'.

Make also sure that  $2 * T_{ref}(intern) < 2.4 \mu s$  to avoid a timeout during calibration.

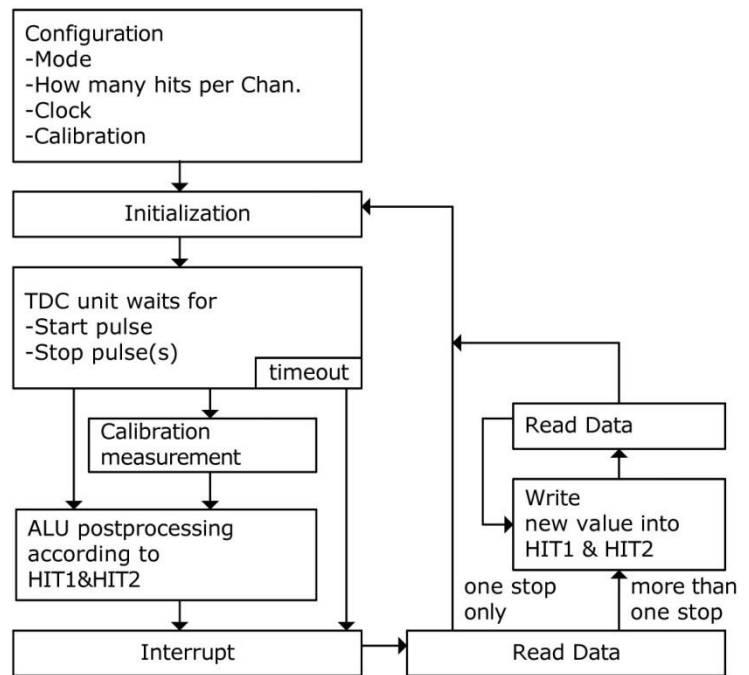


Figure 4.3

## c. Set the number of expected hits

In register 1, bits 16 to 18 and 19 to 21, HITIN1 and HITIN2 the user has to define the number of hits the TDC-GP21 has to wait for. A maximum of 4 on each channel is possible. The TDC-GP21 measures until the set number of hits is registered or a timeout occurs.

## d. Select calibration



As the BIN size varies with temperature and voltage the TDC-GP21 ALU can internally calibrate the results. This option is switched on by setting register 0, bit13, CALIBRATE = "1". It is recommended to do this.

For the calibration the TDC measures 1 and 2 cycles of the reference clock. The two data are stored as Cal1 and Cal2.

There are two ways to update the calibration data Cal1 and Cal2:

- Separate calibration by sending opcode Start\_Cal\_TDC via the SPI interface
- Automatic update by setting register 0, bit 12, NO\_CAL\_AUTO = "0". In most applications this will be the preferred setting.

### e. Define ALU data processing

While the TDC unit can measure up to 4 hits on each channel the user is free in his definition what the ALU shall calculate. The settings are done in register 1, bits 16 to 19 and 20 to 23, HIT1 and HIT2. Both parameters can be set to:

- 0 = Start
- 1 = 1. Stop Ch1      9 = 1. Stop Ch2
- 2 = 2. Stop Ch1      A = 2. Stop Ch2
- 3 = 3. Stop Ch1      B = 3. Stop Ch2
- 4 = 4. Stop Ch1      C = 4. Stop Ch2
- 6 = Cal1 Ch1
- 7 = Cal2 Ch1

#### Examples:

Reg1 = 'h01xxxx - 1st Stop Ch1-Start

Reg1 = 'h2Bxxxx - 3rd Stop Ch2-2nd Stop Ch1

Reg1 = 'h06xxxx - Cal1

The ALU calculates HIT1 - HIT2.

In case calibration is active the ALU does the full calibration calculation (except when reading the calibration values. In this case the ALU writes the Cal1/Cal2 raw data to the output register).

$$RES\_X = \frac{(HIT1 - HIT2)}{Cal2 - Cal1}$$

$$Cal2 - Cal1 = gradient$$

$$Time = RES\_X * T_{ref} * 2^{ClkHSDiv} = RES\_X * T_{ref} * N, \quad with \ N = 1, 2 \ or \ 4$$

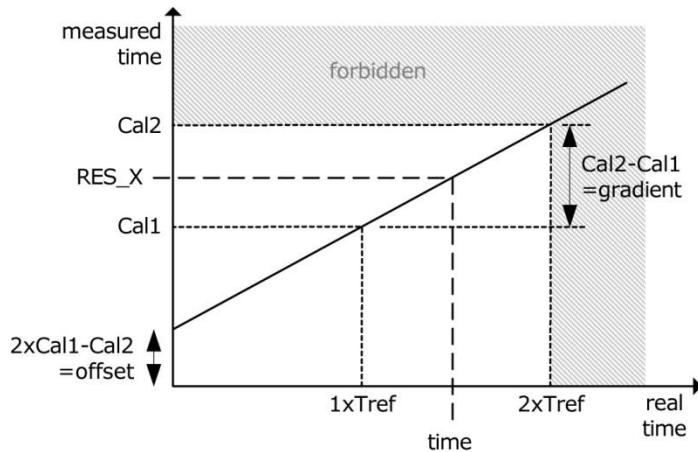


Figure 4.4

### f. Select input sensitivity

In register 2, bits 27 & 28, RFEDGE1 and RFEDGE2, the user can select whether the stop inputs are sensitive to either rising or falling edges (RFEDGE = "0") or to both rising and falling edges (RFEDGE = "1").

In register 0, bits 8 to 10 the user can add an internal inverter to each input, Start, Stop1 and Stop2. With RFEDGE = "0" this is the same as rising edge (NEG\_X = "0") or falling edge (NEG\_X = "1").

### g. Interrupt behavior

The interrupt pin 8, INT can have different sources. They are selected in register 2, bits 29 to 31, EN\_INT and register 6, bit 21.

Reg. 2 bit 29 = "1"	ALU ready
Reg. 2 bit 30 = "1"	The set number of hits is there
Reg. 2 bit 31 = "1"	Timeout of the TDC unit
Reg. 6 bit 21 = "1"	End of EEPROM action

The different options are wired by OR to enable more than one source. The first rising edge of SCK resets the INTN pin (interrupt).

After the configuration the user has to initialize the TDC-GP21 by sending opcode "Init" so that the TDC accepts Start and Stop hits.

## Measurement

After an initialization the TDC unit will start with the first pulse on the Start input. It will run until:

- the set number of hits has been seen (maximum 4 on both stop channels in mode 1)
- or until a timeout occurs at the end of the measurement range (at about 2.4  $\mu$ s in mode 1).

The time measurement raw data are internally stored. The number of hits can be seen from the status register, bits 3 to 8. In case calibration is active the TDC now measures one and two periods of the internal reference clock ( $T_{ref} * 1, 2$  or  $4$ ). The calibration raw data Cal1 and Cal2 are also internally stored.

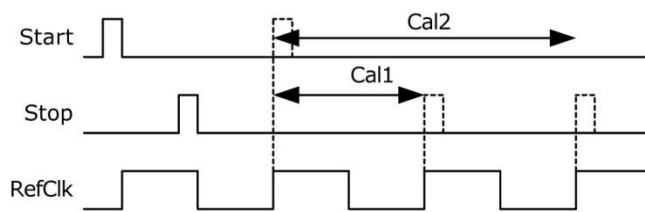


Figure 4.5

## Data Processing

At the end of the measurement the ALU starts to process the data according to the HIT1, HIT2 settings and transfers the result to the output register. In case calibration is off the ALU transfers the 16 bit raw data to the output register. With calibration the ALU calculates according to 3.1.1.d and transfers the 32 bit fixed point number to the output register.

The ALU can be switched off configuring  $HIT1 = HIT2 = 5$ .

The time it takes the ALU depends on whether calibration is on or not and the supply voltage.

Table 4.1: ALU timings

	<b>un-calibrated (disable Auto-Cal.)</b>	<b>calibrated</b>	<b>Predivider</b>
2.5 V	1.56 μs	3.0 μs	0
		4.58 μs	1
		7.58 μs	2
3.0 V	1.24 μs	2.75 μs	0
		4.25 μs	1
		7.26 μs	2
3.6 V	1.0 μs	2.54 μs	0
		4.0 μs	1
		7.0 μs	2

As soon as the data is available from the output register the interrupt flag is set (assumed that the ALU interrupt is enabled, see reg. 2, EN\_INT). Further the load pointer of the output register is increased by 1 and points to the next free memory. The actual position of the load pointer can be seen in the status register, bits 0 to 2.

## Reading Data

Now the user can read the data sending the opcode 10110ADR. With the next 16 clock cycles (un-calibrated data) or 32 clock cycles (calibrated data) the TDC-GP21 will send the result, beginning with the most significant bit (MSB). The first rising edge of SCK resets the INTN pin (interrupt).

### a. Un-calibrated data format:

16 bit Signed integer in complements of 2. 1BIN = uncalibrated gate delay is about 90 ps at 3.3 V and 25 °C.

$$\text{Time} = \text{RES}_X \times 90 \text{ ps}$$

### b. Calibrated data format:

32 bit fixed-point number in

### Example:

configuration

...

write reg1='h014400      4 hits on channel 1,  
calculate 1st Stop -Start

...

Initialize

...

while(Check interrupt flag)

write reg1='h024400      calculate 2nd -Start  
wait(4.6 μs)

write reg1='h034400      calculate 3rd-Start  
wait(4.6 μs)

write reg1='h044400      calculate 4th-Start  
wait(4.6 μs)

Now all Hit data are available from registers 0 to 3. The load pointer value is 4.

complements of 2. Given in multiples of the reference clock.

Time = RES\_X \* T<sub>ref</sub> \* N, with N = 1, 2 or 4

The measured time interval may not exceed otherwise the ALU will go into overflow and will write the data 'hFFFFFFFF to the output register.

The configuration of the ALU allows only one hit calculation at the time. In case more than one hit has been measured it is necessary to write new commands to HIT1/HIT2 to instruct the ALU for calculating the other hits. After writing to HIT1/HIT2 it is necessary to wait for minimum t.b.d. μs (calibrated data) or t.b.d. ns (un-calibrated data) before reading or writing again to HIT1/HIT2.

### Reading Calibration Raw Data

The calibration data are not addressed directly after the calibration measurement but after the next regular measurement, before the next INIT.

#### Source Code Example:

```
//-----
// 1st Measurement plus calibration data readout
gp21_send_1byte(Bus_Type, Init);

// Wait for INT Slot_x
Wait_For_Interrupt(Bus_Type);

// First regular measurement (to readout calibration raw data)
Result = gp21_read_n_bytes(Bus_Type, 4 ,0xB0 ,0x00 ,16);

// readout the new calibration data from result register adr 0x01
gp21_wr_config_reg(Bus_Type, 0x81, 0x67490000);

Diff_Cal2_Cal1 = gp21_read_n_bytes(Bus_Type, 4, 0xB0 ,0x01 ,16);
//-----
```

At the end the TDC-GP21 has to be initialized again to be ready for the next measurement. This is done by sending the opcode "Init" so that the TDC accepts new Start and Stop hits.

## 4.2 TDC - Measurement mode 2

### 4.2.1 General Description

- 1 stop channels referring to one start channel
- Typical 22 ps / 45 ps / 90 ps resolution
- Measurement range from 700 ns to 4 ms @ 4 MHz
- $2 \times T_{ref}$  pulse pair resolution
- 3-fold multihit capability, full-automated calculation
- Selectable rising/falling edge sensitivity
- Integrated programmable windowing for each single stop with 10 ns precision
- Typical application: Ultrasonic flow & heat meter

Digital TDCs use internal propagation delays of signals through gates to measure time intervals with very high precision (see also measurement mode 1, section 4). In measurement mode 2 the maximum time interval is extended using a pre-divider. The resolution in LSB remains unchanged by that. In this mode the high-speed unit of the TDC does not measure the whole time interval but only time intervals from START and STOP to the next rising edge of the reference clock (fine-counts). In between the fine-counts the TDC counts the number of periods of the reference clock (coarse-count).

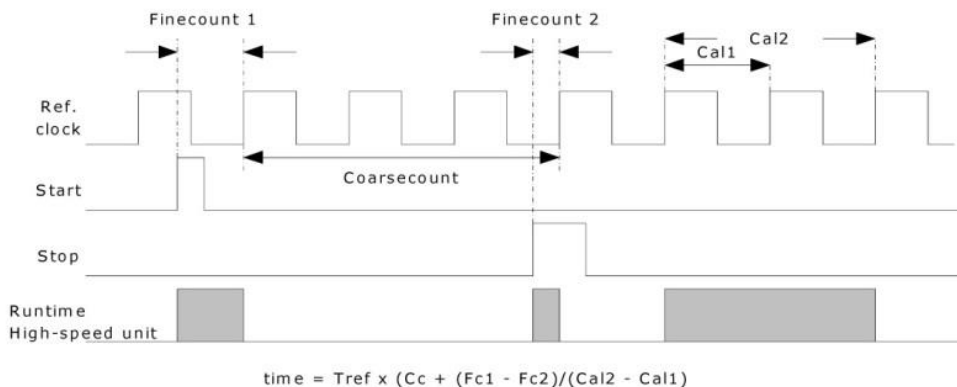


Figure 4.6

The GP21 converter front end section achieves a quantization BIN of 90 ps (LSB) where  $V_{cc} = 3.3 \text{ V}$  and the ambient temperature is at  $25 \text{ }^\circ\text{C}$ . RMS noise accounts for 60 ps (0.7 LSB) of this same result. As gate propagation delay is used for precision interval measurement it is important to consider that this delay time is directly affected by both  $V_{cc}$  and temperature. Therefore, using Measurement Mode 2, a calibration is required

and is done automatically with the right configuration. During calibration the TDC measures one and two periods of the 4 MHz reference clock.

**The calibrated result does not depend on temperature or supply voltage.**

The measurement range is limited by size of the coarse counter:

$$t_{yy} = T_{ref} \times 2^{14} = 4.1 \text{ ms @ 4MHz}$$

The time interval between START and STOP is calculated with a 26 bit measurement range.

	Time (Condition)	Description
$t_{ph}$	2,5 ns (min.)	Minimum pulse width
$t_{pl}$	2,5 ns (min.)	Minimum pulse width
$t_{ss}$	$2 * T_{ref}$	Start to Stop @ DIS_PHASESHIFT = 1
$t_{rr}$	$2 * T_{ref}$	Rising edge to rising edge
$t_{ff}$	$2 * T_{ref}$	Falling edge to falling edge
$t_{va}$	4.6 $\mu$ s (max.)	ALU start to data valid
$t_{yy}$	4 ms (max)	Max. measurement range

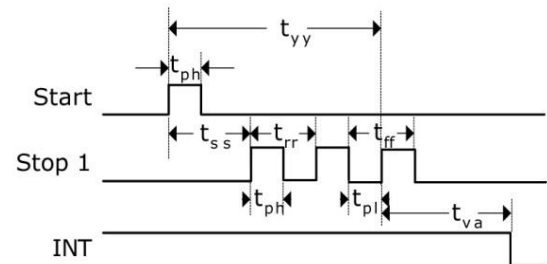


Figure 4.7

## Input circuitry

Each input separately can be set to be sensitive to rising or falling edge. This is done in register 0, bits 0 to 2. (NEG\_START, NEG\_STOP1).

Further all Start/Stop-inputs support a high active enable pin.

## Note:

In case the Start-Stop interval is less than the lower limit  $t_{ss}$  the TDC will ignore more and more events the smaller it is. In no case there will be wrong results.

## 4.2.2 Measurement Flow

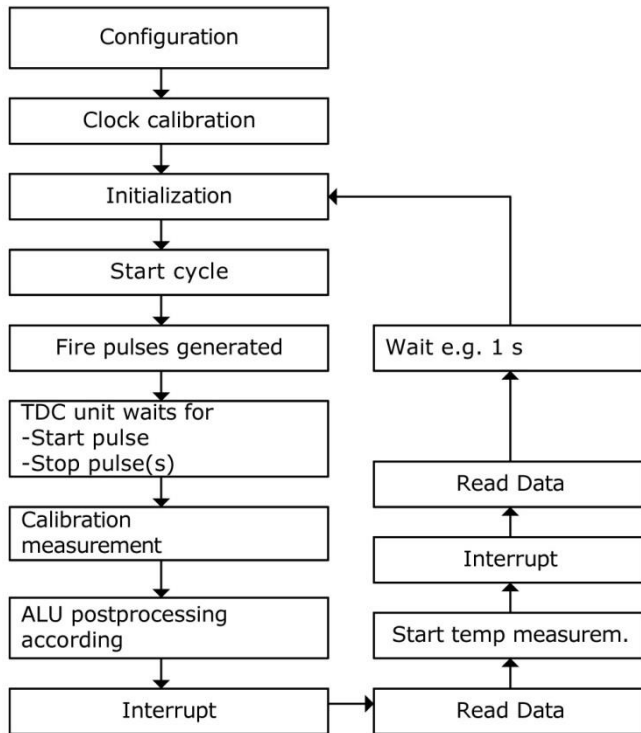


Figure 4.8

### Configuration

At the beginning the TDC-GP21 has to be configured. The main settings for measurement mode 2 are:

#### a. Select measurement mode 2

setting register 0, bit 11, MESSB2 = 1

#### b. Select the reference clock

(see also section 5.1)

In measurement mode 2 the TDC-GP21 needs the high-speed clock for the time measurement. In case of low-power applications this clock can be switched of in between measurements. The a 32.768 kHz clock is necessary for the timing control during the oscillator power-on.

Register 0, bits 18 & 19, START\_CLKHS defines the switch-on behavior of the high-speed clock. If only the high-speed clock is used this is be set to "1"(continuously on). In case both oscillators are used for current saving reasons this should be set to "2" for ceramic oscillators and to "3" for quartz oscillators.

Register 0, bits 20 & 21, DIV\_CLKHS sets an additional internal divider for the reference clock (1, 2 or 4). The choice has an influence on the minimum time interval

$$t_{\min} = 2 * T_{\text{ref}} * 2^{\text{DIV\_CLKHS}}$$

and the maximum time interval

$$t_{\max} = 2^{14} * T_{\text{ref}} * 2^{\text{DIV\_CLKHS}}$$

Further, it is necessary that



$$2 * T_{ref} * 2^{DIV\_CLKHS} < 2.4 \mu s.$$

Otherwise the ALU will go into an overflow during calibration and write 'hFFFFFFF' as output data.

**Please note:**

The resulting clock after the predivider has to be in the allowed range of 2 MHz to 8 MHz in single and double resolution and from 2 MHz ... 6 MHz in quad resolution.

**c. Set the number of expected hits**

In register 1, bits 16 to 18, HITIN1 the user has to define the number of hits the TDC-GP21 has to wait for. A maximum of 3 on channel 1 is possible. The number HITIN1 always has to be higher by 1 than the number of expected hits. The reason is that the Start is also counted as a hit. The TDC-GP21 measures until the set number of hits is registered or a timeout occurs. register 1, bits 19 to 21, HITIN2 have to be set to "0".

**Example:**

2 stop pulses are expected:

HITIN1 = "3", HITIN2 = "0"

**d. Select calibration**

The calibration is switched on by setting register 0, bit13, CALIBRATE = "1". It is mandatory to do this.

For the calibration the TDC measures 1 and 2 cycles of the reference clock. The two data are stored as Cal1 and Cal2.

There are two ways to update the calibration data Cal1 and Cal2:

- Separate calibration by sending opcode Start\_Cal\_TDC via the SPI interface
- Automatic update by setting register 0, bit 12, NO\_AUTO\_CAL = "0". In most applications this will be the preferred setting.

**e. Define ALU data processing**

While the TDC unit can measure up to 3 hits the ALU can calculate only one hit at once. The settings are done in register 1, bits 24 to 27 and 28 to 31, HIT1 and HIT2. The

Start pulse is internally handled like a Stop pulse because of the special measuring method in measurement mode 2.

Reg1 = 'h21xxxx = Calculate 1st Stop Ch1-Start

Reg1 = 'h31xxxx = Calculate 2nd Stop Ch1-Start

Reg1 = 'h41xxxx = Calculate 3rd Stop Ch1-Start

The ALU calculates the time interval as:

$$RES\_X = CoarseCount + \frac{(HIT1 - HIT2)}{Cal2 - Cal1}$$

$$Time = RES\_X * Tref * 2^{DIV\_CLKHS}$$

#### f. Select input sensitivity

In register 2, bits 27 & 28, RFEDGE1 and RFEDGE2, the user can select whether the stop inputs are sensitive to either rising or falling edges (RFEDGE = "0") or to both rising and falling edges (RFEDGE = "1"). In register 0, bits 8 to 10 the user can add an internal inverter to each input, Start, Stop1 and Stop2. With RFEDGE = "0" this is the same as rising edge (NEG\_X = "0") or falling edge (NEG\_X = "1").

#### g. Interrupt behavior

The INT pin can have various sources, to be selected in register 2, bits 21 to 23, EN\_INT, and register 6 bit 21 EN\_INT.

EN_INT =	no bits set	no Interrupt source
	reg2 bit 29	ALU ready
	reg2 bit 30	The set number of hits is there
	reg2 bit 31	Timeout of the TDC unit
	reg6 bit 21	EEPROM action has finished

The different options are wired by OR. The first rising edge of SCK resets the INTN pin (interrupt).

After the configuration the user has to initialize the TDC-GP21 by sending opcode "Init" so that the TDC accepts Start and Stop hits.

## Measurement

After an initialization the TDC unit will start with the first pulse on the Start input. It will run until:

- the set number of hits has been seen (maximum 3 on channel 1 in measurement mode 2)
- or until a timeout occurs. The timeout can be programmed in multiples of the reference clock setting reg. 3, bits 27 & 28, SEL\_TIMO\_MB2. At 4 MHz the values are:

SEL\_TIMO\_MB2 (@ 4 MHz, DIV\_CLKHS = 0)

- = 0 = 64  $\mu$ s
- = 1 = 256  $\mu$ s
- = 2 = 1024  $\mu$ s
- = 3 = 4096  $\mu$ s recommended

At the end of the time measurement the TDC measures 2 periods of the reference clock for calibration.

## Data processing

At the end of the measurement the ALU starts to process the data according to the HIT1, HIT2 settings and transfers the result to the output register. The ALU calculates according to 4.2.2.e and transfers the 32 bit fixed point number to the output register.

The time it takes the ALU depends on the supply voltage to be calculated:

Table 4-2: ALU timings

	2.5 V	3.0 V	3.6 V
<b>First Event (1 Hit)</b>	3.7 $\mu$ s	3.3 $\mu$ s	3.1 $\mu$ s

As soon as the data is available from the output register the interrupt flag is set (assumed that the ALU interrupt is enabled, see reg. 2, EN\_INT). Further the load pointer of the

output register is increased by 1 and points to the next free memory. The actual position of the load pointer can be seen in the status register, bits 0 to 2.

### Reading Data

Now the user can read the data sending the opcode 10110ADR. With the next 32 cycles (calibrated data) the TDC-GP21 will send the result, beginning with the main significant bit (MSB).

The 32 bit fixed-point numbers in complements of 2 represent the time interval in multiples of the reference clock.

$$\text{Time} = \text{RES}_X * T_{\text{ref}} * 2^{\text{DIV\_CLKHS}}$$

Now all hit data are available from registers 0 to 2. The load pointer value is 3.

At the end the TDC-GP21 has to be initialized again to be ready for the next measurement. This is done by sending the opcode "Init" so that the TDC accepts new Start and Stop hits.

The first rising edge of SCK resets the INTN pin (interrupt).

### 4.2.3 Stop Masking

The TDC-GP21 can set time-based masking windows for each of the 3 hits on Stop1 input when no hits are accepted. The masking refers to the start event and has an accuracy of less than 10 ns.

The internal enable unit is connected to the external enable pin by a logical AND. The external enable pin must be set to "1" to use the internal masking unit. The configuration settings are made in registers 2 to 4, DELVAL1, DELVAL2 and DELVAL3:

- DELVAL1 ... DELVAL3 are fixed point numbers with 14 bit integer and 5 bit fractional digits, in multiples of the internal reference clock

$$\text{Delay}_{\text{min}} = \text{DELVALX} / 2^5 * T_{\text{ref}} * 2^{\text{DIV\_CLKHS}}$$

- The minimum mask size is 3 clock cycles
- The mask values must have an ascending order. Each mask value must be 3 clock cycles bigger than the previous value

It is mandatory that if not all registers are used the mask values that are not required are set to "0". When all DELVAL registers are set to 0, the complete unit is disabled.

**Example:**

4 MHz reference, DIV\_CLKHS = 1

DELVAL1 = 'h3200 1st Stop not accepted before 200  $\mu$ s after Start  
( $12800/32 * 250 \text{ ns} * 2^1 = 200 \mu\text{s}$ )

DELVAL2 = 'h3300 2nd Stop not accepted before 204  $\mu$ s after Start  
( $13056/32 * 250 \text{ ns} * 2^1 = 204 \mu\text{s}$ )

DELVAL3 = 'h3400 3rd Stop not accepted before 208  $\mu$ s after Start  
( $13312/32 * 250 \text{ ns} * 2^1 = 208 \mu\text{s}$ )

### 4.3 Analog Input Section

Compared to TDC-GP2, the TDC-GP21 has an additional analog input section which can be used alternatively to the pure digital inputs. Especially the design of ultrasonic flow and heat meters is greatly simplified by this new option. The external circuit of the ultrasonic part is reduced to just two resistors and capacitors additional to the piezo transducers.

The ultrasonic signals will be packages of sinusoidal oscillations with several 100 mV amplitude. The signals are coupled to the inputs by means of a high pass filter as the comparator can not handle GND as threshold. The threshold of the comparator is set to  $1/3 V_{cc}$ . An analog multiplexer selects the input according to the active measurement direction. The comparator is chopper stabilized to guarantee a low offset voltage in the range of  $< 2$  mV. This is mandatory for a good measurement quality. The input offset voltage of the comparator is frequently corrected by an internal chopper circuit. If temperature or supply voltage changes over time, the offset voltage is automatically adapted and holds at  $< 2$  mV.

All elements are controlled by the TDC-GP21 control unit. They are powered only during the measurement to keep down the power consumption.

A measurement sequence, triggered by command Start\_TOF\_Restart looks like the following procedure, starting with the up flow measurement:

- The 4 MHz oscillator is switched on. The chip waits for the programmed delay to give enough time for the oscillator to reach the full amplitude.
- The comparator, the reference voltage and the analog switches get powered.
- The capacitor of the transmitting path (STOP1) is connected to GND.
- The fire down buffer (FIRE\_DOWN) is connected to GND.
- The capacitor of the receiving path (STOP2) is charged up to  $V_{ref}$ . The TDC waits the delay set in TW2.
- The analog switch selects STOP2 input as input to the comparator.
- FIRE\_UP is selected as TDC START signal.
- The set number of pulses is sent through the fire up buffer, pin FIRE\_UP.
- The analog signal at STOP2 passes the comparator converted to a digital signal that is connected to the STOP input of the TDC unit.
- When the delay of the stop masking unit (DELVAL) expired the TDC is ready to measure. It can measure up to 3 stops.

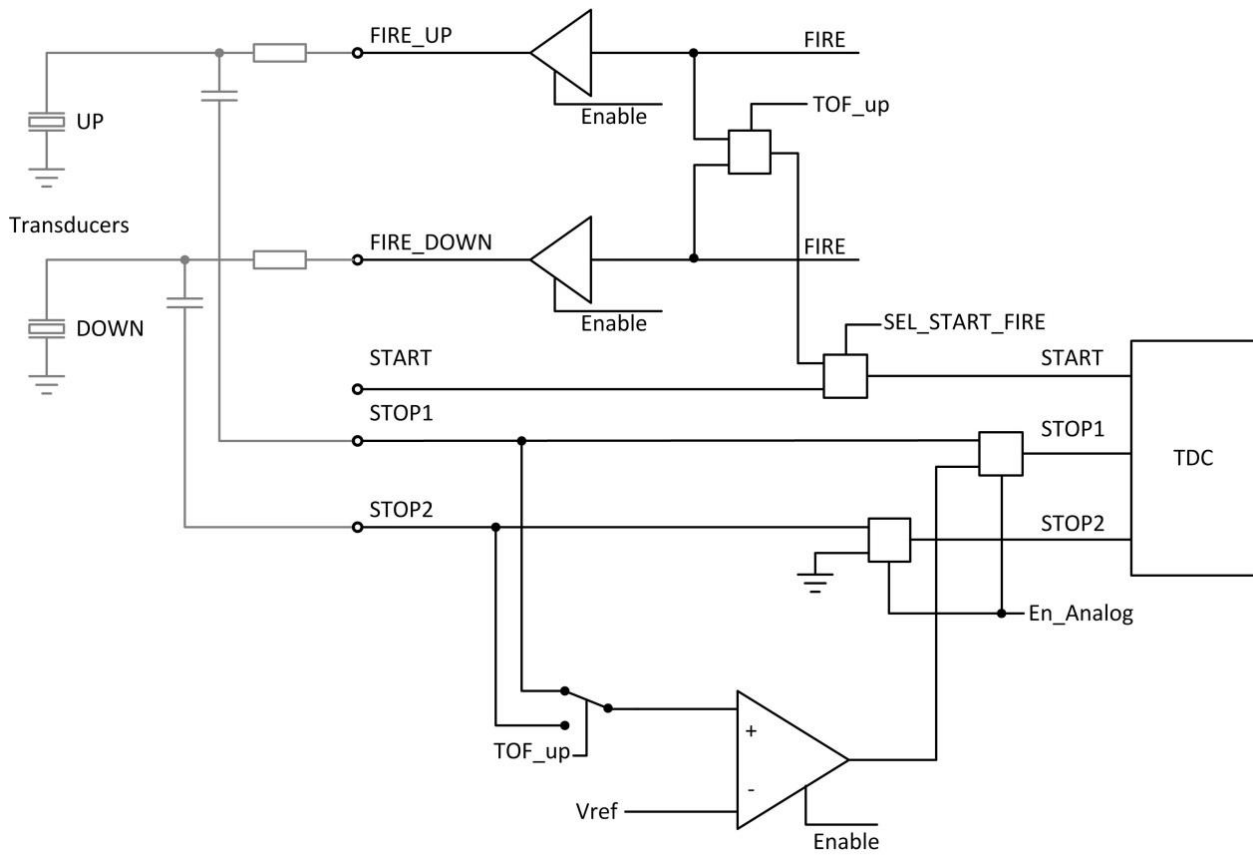


Figure 4.9

- At the end of the measurement the control unit switches off the comparator, the reference the analog switches and the 4 MHz. The current is reduced to close zero. The interrupt flag is set.
- The control unit waits a period, given in multiples of 50Hz/60Hz. During this the processor has to read the results.
- After the delay the same procedure is started but in the opposite direction.

### 4.3.1 Offset Setting / First Hit Detection

The offset of the comparator can be set in steps of 1 mV from -8mV to +7 mV by means of parameter DA\_KORR, bits 25 to 28 in register 6. DA\_KORR is set as 2's complement.

This feature can be used to safely detect the first hit. By setting the offset to e.g. +5mV the rising edge of the first pulse can be safely detected. With this information the stop making (DELVAL) can be set appropriately. The offset can be set back to 0 mV and with the next measurement the zero crossing of the 7th wave can be safely detected.

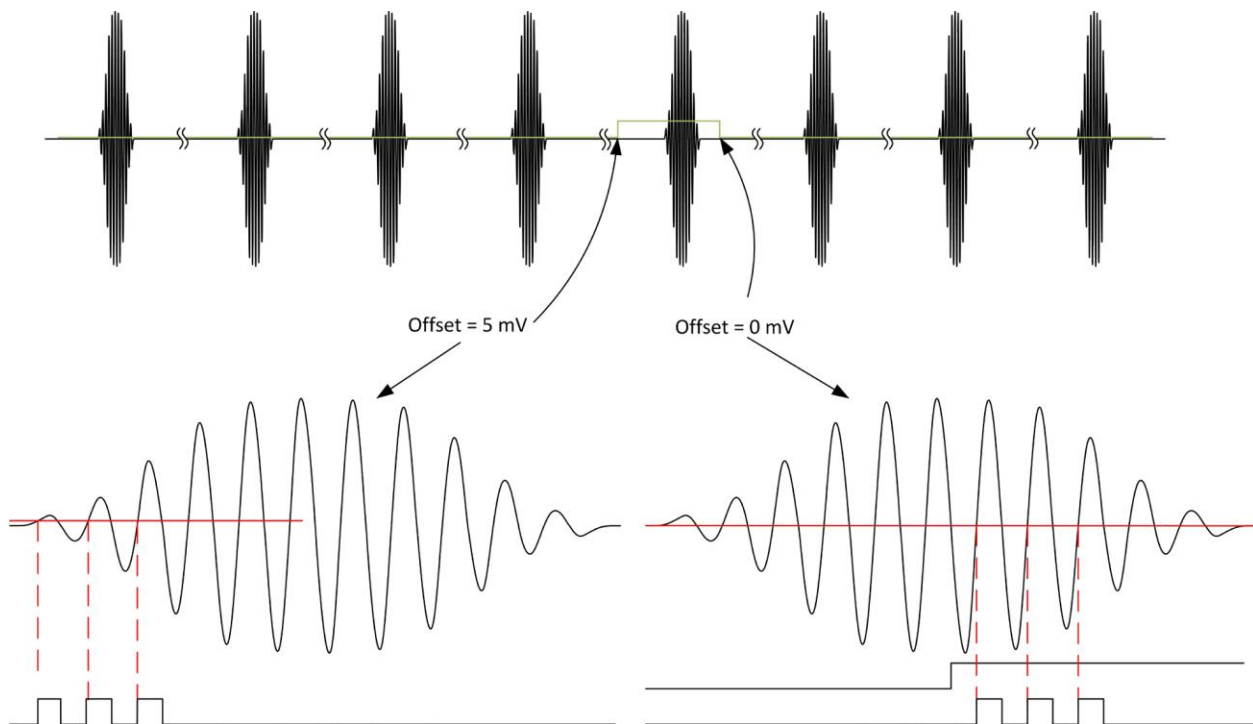


Figure 4-10: First hit detection



## 4.4 Temperature Measurement

Especially for heat meter applications the TDC-GP21 has a PICO-STRAIN based temperature measuring unit that offers high resolution and very low current consumption.

The measurement is based on measuring discharge times. Therefore, a capacitor is discharged alternately through the sense resistors and the reference resistors. As an improvement compared to TDC-GP2, the TDC-GP21 has the comparator already integrated.

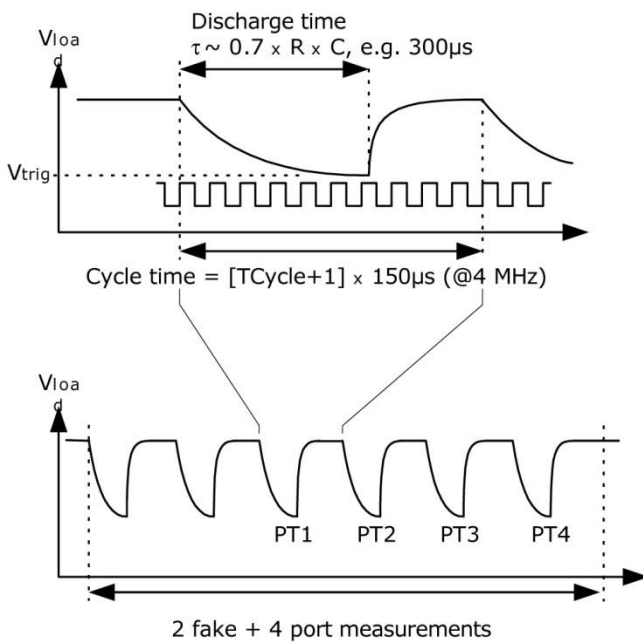


Figure 4.11:

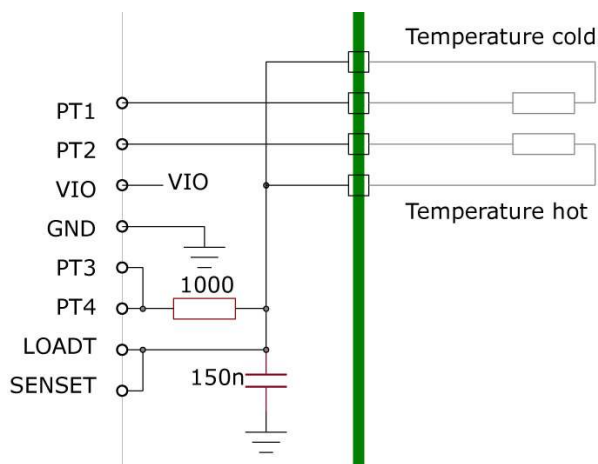


Figure 4-12: With internal Schmitt trigger

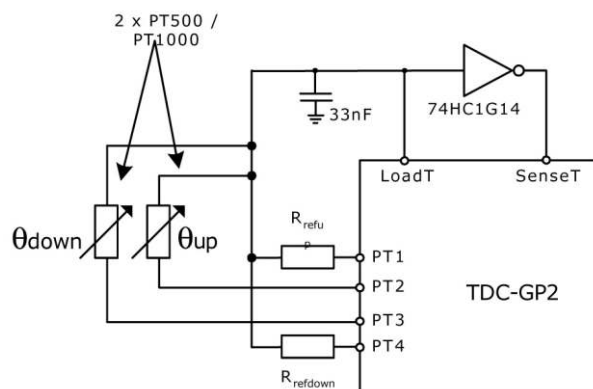


Figure 4-13: GP2 compatible with external trigger

The unit has 4 resistor ports, two of them to be used for the temperature sensors for hot water (up) and cold water (down). The other two ports are used for reference resistors. Basically, one reference resistor connected to both ports is sufficient.

The temperature sensors should have a minimum resistance of 500 Ohm. The cable length should not exceed 3 m. TDC-GP21 can measure 2-wire sensors only. It is not possible to use 4-wire sensors. The precision of the temperature measurement is far within the limits of the standard for heat meters when PT500 or PT1000 are used. In combination with PT500 or PT1000 temperature sensors there is no need for two reference resistors. A typical setup with one fixed reference is shown in figure 4-14.

The EMC protection is a recommendation of acam from experience. Further information will be shown in section 5.5 EMC Measures.

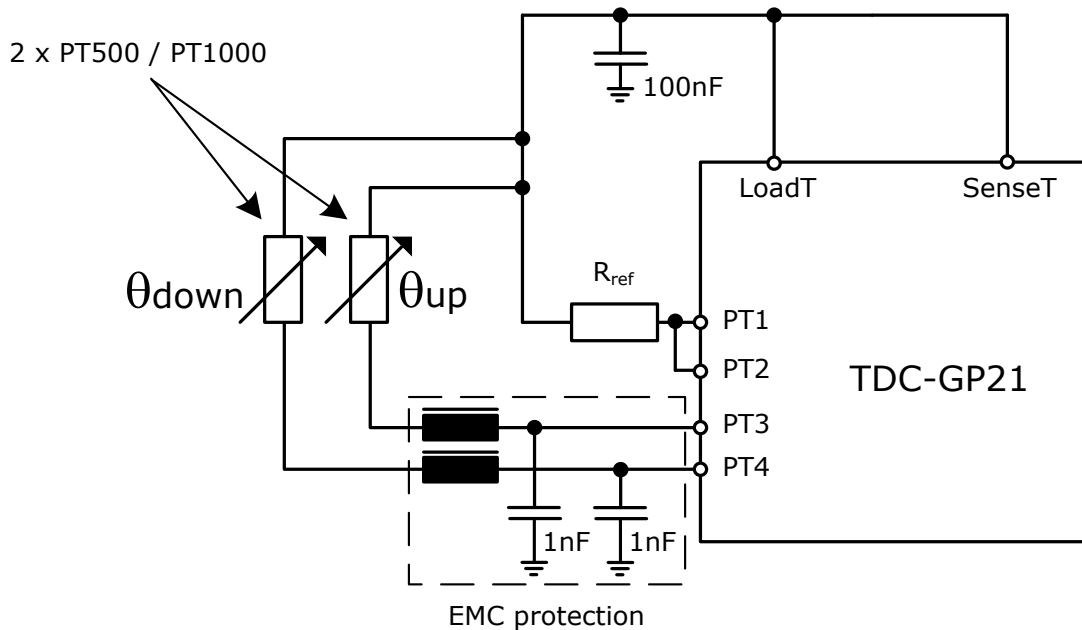


Figure 4.14: PT500 / PT1000 temperature measurement with one reference resistor

The temperature measurement is fully automated. It is triggered by the  $\mu\text{C}$  sending the opcodes Start\_Temp or Start\_Temp\_Restart. With Start\_Temp\_Restart the TDC-GP21 measures the temperature twice, with a delay given in multiples of the 50 Hz/60 Hz period. This will be of help to reduce 50Hz/60Hz noise.

For a measurement, the TDC-GP21 starts with 2 or 8 dummy measurements at port PT1 before it makes the real four measurements in the order PT1 > PT2 > PT3 > PT4. After the 4 measurements have finished the interrupt flag is set. TDC-GP21 has the possibility to inverse the order, making the dummy measurements at port PT4.

The four data are found in registers 0 to 3. From Res\_3/RES\_1 and RES\_4/RES\_2 the microcontroller can calculate the ratio  $R_{temp}/R_{ref}$ . By means of a look-up table it can calculate the temperature for the special type of sensor in use.

## Configuration

Register 0, bit 15, ANZ\_FAKE sets the number of dummy measurements at the beginning of a temperature measurement. This is necessary to overcome mechanical effects of the load capacitor.

ANZ\_FAKE = 0                      2 dummy measurements

ANZ\_FAKE = 1                      7 dummy measurements

Register 0, bit 16, T              CYCLE sets the cycle time for the temperature measurement.

TCYCLE = 0                        128  $\mu$ s cycle time @ 4MHz

TCYCLE = 1                        512  $\mu$ s cycle time @ 4MHz

Register 0, bit 17, ANZ\_PORT sets the number of ports that will be used.

ANZ\_PORT = 0                      2 ports = 1 sensor

ANZ\_PORT = 1                      4 ports = 2 sensors

Register 6, bit 11, TEMP\_PORTDIR sets the order of the port measurements

TEMP\_PORTDIR = 0                PT1 > PT2 > PT3 > PT4

TEMP\_PORTDIR = 1                PT4 > PT3 > PT2 > PT1

Register 6, bit 15, HZ60 sets the base frequency for the delay between the up and down measurements for commands Start\_TOF\_Restart and Start\_Temp\_Restart.

HZ60                      = 0                      50 Hz base

HZ60                      = 1                      60 Hz base

Register 6, bits 18, 19, CYCLE\_TEMP, selects the factor timer for triggering the second temperature measurement in multiples of 50/60Hz.

CYCLE\_TEMP = 0                      1

                                         = 1                      1.5

## TDC-GP21

= 2                    2

= 3                    2.5

Register 6, bit 30, NEG\_STOP\_TEMP inverts this signal at the SenseT path. This is mandatory when the internal comparator is used. Without inversion the unit is compatible to TDC-GP2 operation with an external Schmitt trigger

NEG\_STOP\_TEMP    = 0    No inversion, TDC-GP2 compatible

                          = 1    Inversion, mandatory when the internal comparator is used

### Recommended Capacitor Values

The discharge time should be about 150  $\mu$ s. Therefore the capacitor should have the following value:

PT500:                220 nF

PT1000:              100 nF

Please set TCYCLE = 1 to avoid timeout error.

### Recommended Capacitor Type

To get accurate results we recommend capacitor types with very low dC/dU. We recommend:

COG types or CfCap Series from Tayo Yuden

Please do not use X7R or similar capacitors.

### Current consumption

By means of the TDC technology the temperature measurement needs an extremely low current, much less than an A/D converter does.

A full temperature measurement with 2 sensors, 2 references and PT1000 sensor type, including all calculations takes less than 2.5  $\mu$ As. With one temperature measurement in 30 seconds (typical for heat meters) the average current consumption is 0.08  $\mu$ A only. This is about 50 times less than other solutions. A PT500 sensor doubles the current.

**Note:** During temperature measurement the start input has to be enabled.

## Error detection

Additionally the temperature unit checks the plausibility of the results. It is able to detect a short circuit of the sensor or an open sensor. The TDC-GP21 provides in the relevant output register an error code instead of a measurement value.

1. Short circuit between lines: equivalent to a very short time interval ( $< 8 \times T_{ref} = 2 \mu s @ 4 \text{ MHz}$ ). The TDC-GP21 writes a 'h0 to the output register of the shorted sensor.

2. Broken sensor/Short circuit against GND: equivalent to no stop signal or timeout. The TDC-GP21 writes a 'hFFFFFFF into the output register of the open sensor.

**Note:** Due to a bug it is necessary to have SEL\_TIMO\_MB2 at 2ms to get a correct interrupt indication when 512  $\mu s$  cycle time is selected.

1: Short circuit between lines: Error short

2: Short circuit LoadT against GND: Error open

3: Circuit circuit PT2 against GND: Measurement at PT1 with half the nominal discharge time as sensor is in parallel to R<sub>ref</sub>, result out of reasonable range

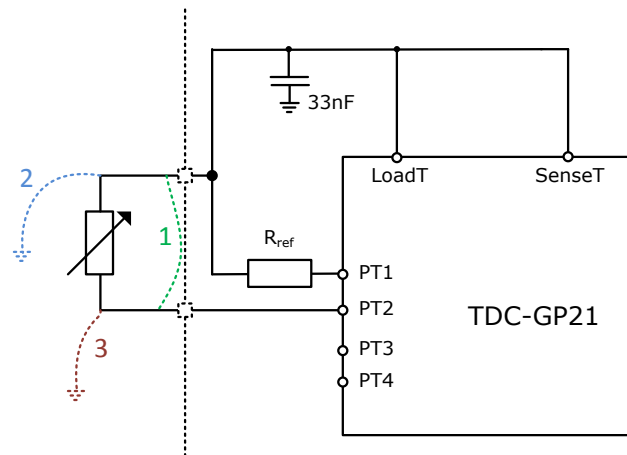


Figure 4-15: Short circuit indication

Table 4.4: Analog specification

Symbol	Terminal	Internal Schmitt trigger		External Schmitt trigger <sup>2</sup>		Unit
		PT500	PT1000	PT500	PT1000	
	Resolution RMS	17.5	17.5	16.0	16.0	Bit
	SNR			96	96	dB
	Absolute Gain <sup>3</sup>	0.9912	0.9931	0.9960	0.9979	

		3.6 V	0.9923	0.9940	0.9962	0.9980	
	Absolute Gain vs. $V_{io}$ <sup>3</sup> (gain factor)	3.0 V	0.9912	0.9931	0.9960	0.9979	
		2.5 V	0.9895	0.9915	0.9956	0.9979	
		Gain-Drift vs. $V_{io}$	0.25	0.23	0.06	0.04	%/V
	max. Gain Error (@ $d\theta = 100$ K)	0,05%	0,05%	0,02%	< 0.01%		
	Gain-Drift vs. Temp	0.022	0.017	0.012	0.0082	%/10 K	
	Gain-Drift vs. $V_{io}$			0,08		%/V	
	Initial Zero Offset	< 20	<10	< 20	< 10	mK	
	Offset Drift vs. Temp	< 0.05	< 0.03	< 0,012	< 0.0082	mK/ °C	
	PSRR			>100		dB	

<sup>1</sup> All values measured at  $V_{io} = V_{cc} = 3.0$  V,  $C_{load} = 100$  nF for PT1000 and 200 nF for PT500 (COG-type)

<sup>2</sup> measured with external 74AHC14 Schmitt trigger

<sup>3</sup> compared to an ideal gain of 1

### Gain error and its mathematical correction

The TDC-GP21 temperature measurement is based on acam's PICOSTRAIN technology. Here the resistance variation of an RTD is digitized by means of a high accurate time interval measurement. According to that, the Schmitt trigger's delay time introduces a considerable gain error that results in a gain reduction compared to an ideal output value. This gain reduction can be mathematically described as a deviation from an ideal straight line. Hence, a simple mathematical correction by adding a correction factor compensates for this deviation from the ideal gain. It is calculated as follows:

$$T_{corr} = T_{uncorr} / \text{gainfactor}$$

with

$T_{\text{corr}}$ : gain corrected temperature result

$T_{\text{uncorr}}$ : uncorrected temperature result

gainfactor: gain correction factor, compensates the deviation from an ideal gain of 1

By means of this compensation, the effect of the Schmitt trigger's delay time can be reduced to a residual gain error of 0.05 % of F. S. with the internal Schmitt trigger, or even less in combination with an external 74AHC14 Schmitt trigger.

Three main parameters have to be considered, to select the correct gain factor:

- base resistance of the temperature sensor (e.g. PT500, PT1000)
- used Schmitt trigger (GP21-internal, external 74AHC14)
- GP21 supply voltage

The appropriate gain correction factors are provided in table 4-3 ("Absolute gain vs. Vio").

### Import note:

The gain correction factors for the external Schmitt trigger exclusively refer to the 74AHC14 Schmitt trigger. Other types (e.g. 74HC14) require different gain factors, in order to ensure a correct compensation. According to that, we strongly recommend to use a 74AHC14 as external Schmitt trigger.

#### Example 1:

Application with PT1000 Sensor, GP21 internal Schmitt trigger and 3.0 V supply voltage. According to table 4.3 a gain factor of 0.9931 has to be selected. The gain corrected result is calculated then by the following equation:

$$T_{\text{corr}} = T_{\text{uncorr}} / 0.9931$$

#### Example 2:

Application with PT500 Sensor, external 74AHC14 Schmitt trigger and 3.6 V supply voltage. Table 4-3 now specifies a gain factor of 0.9980. The gain corrected result is calculated as follows:

$$T_{\text{corr}} = T_{\text{uncorr}} / 0.9980$$

## 5 Details and Special Functions

### 5.1 Oscillator

The TDC-GP21 uses up to 2 clock signals depending on the operating mode:

- High-speed clock, typically 4 MHz, for calibration and as a predivider for the TDC measuring unit in measurement mode 2 and for the EEPROM
- 32 kHz clock signal used for internal timer functions.

#### 5.1.1 High-Speed Oscillator

Generally, the TDC-GP21 needs a high-speed clock for calibration. The recommend value is 4 MHz, the possible range is 2 to 8 MHz (2 to 6 MHz in QUAD\_RES mode). When running in measurement mode 2 the TDC-GP21 needs the high-speed clock signal also as a part of the time measuring unit. Finally the operations need the high speed clock, too.

The oscillator takes an average current of 200  $\mu$ A when running all the time. But as it is needed only during the time measurement, the TDC-GP21 has the capability to control the on-time by itself. The settings are done with parameter START\_CLKHS. With `START_CLKHS > 1` the oscillator is switched on after sending opcodes `Start_TOF`, `Start_TOF_Restart`, `Start_Temp` and `Start_Temp_Restart` for the duration of the measurement. A delay between starting the oscillator and starting the measurement guarantees sufficient time for the oscillation to settle at full amplitude.

#### **Note:**

It is strongly recommended to use a ceramic oscillator. Exactly because a quartz needs much longer to settle than a ceramic oscillator. This costs a lot current, but using a quartz oscillator has no advantage.



## START\_CLKHS

- = 0            Oscillator off
- = 1            Oscillator continuously on
- = 2            The measurement is started with 480  $\mu$ s delay.
- = 3            same as '2', but with 1.46 ms delay
- = 4            same as '2', but with 2.44 ms delay
- = 5 to 7      same as '2', but with 5.14 ms delay

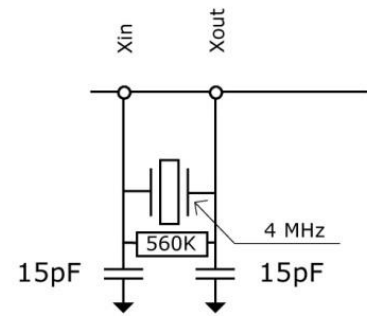


Figure 5.1

The programmable delay guarantees that the oscillator has settled before the measurement starts. For ceramic resonators 480  $\mu$ s will be sufficient. For quartz the necessary delay might reach the maximum of 5.14 ms.

By this measure the average current consumption can be drastically reduced.

### Example:

At one ToF measurement in an ultrasonic flow meter (forth/back) per second the high-speed oscillator is active only for about 2 ms.

The average current consumption is  $130 \mu\text{As} * 2 \text{ ms} = 0.26 \mu\text{A}$ .

### 5.1.2 32.768 kHz Oscillator

The TDC-GP21 needs a 32.768 kHz reference for the start-up control of the high-speed clock and the clock calibration. It therefore offers an integrated low-power driver.

The 32.768 kHz oscillator is permanently running and has a current consumption of only about 0.5  $\mu$ A at 3.0 V. The settling time of this oscillator is about 3 s after power-up. The 32.768 kHz oscillator cannot be switched off. With an external 32 kHz clock from the microprocessor pin CLK32in has to be connected to GND.

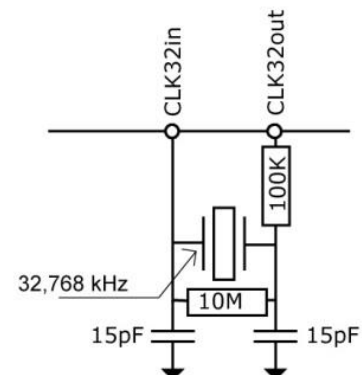


Figure 5.2

The low-power clock can be internally forwarded to an output pin to be available for an external microprocessor. The possible settings are:

SEL\_TSTO1 = 7: 32 kHz output at pin FIRE\_IN

SEL\_TSTO2 = 7: 4 kHz (32 kHz/8) output at pin EN\_START

It is also possible to provide an external low-frequency rectangular clock at the CLK32Out pin (3.6 V max.).

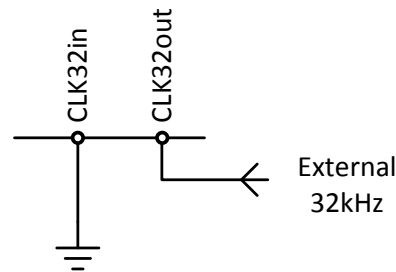


Figure 5.3

### 5.1.3 Calibrating a Ceramic High-speed Oscillator

Using a ceramic oscillator for the 2 to 8 MHz clock will be attractive because it is of low cost and has a fast settling time. Unfortunately it has a poor tolerance of 0.3 to 0.5 % and shows a temperature drift. For this reason the TDC-GP21 allows to execute a calibration measurement that allows to compensate this behavior. This measurement is based on the very precise 32.768 kHz clock. The TDC-GP21 generates start/stop pulses from the 32.768 kHz and measures this time interval with its TDC unit. The result is stored in the result register and the interrupt flag is set. The frequency error of the ceramic resonator can be calculated by the microprocessor. The calibration is configured by setting register 0, ANZ\_PER\_CALRES and is started with "START\_Cal\_Resonator" - instruction by the microprocessor.

The time interval to be measured is set by ANZ\_PER\_CALRES which defines the number of periods of the 32.768 kHz clock:

ANZ_PER_CALRES	= 0	2 periods =	61.035 $\mu$ s
	= 1	4 periods =	122.070 $\mu$ s
	= 2	8 periods =	244.140 $\mu$ s
	= 3	16 periods =	488.281 $\mu$ s

The results is given in multiples of the high-speed clock and (divided by 1, 2 or 4 (DIV\_CLKHS)) as 32 bit fixed point numbers with 16 integer bits and 16 fractional bits.

The microcontroller can compare this measured value to the theoretical value and calculate the correction factor for the frequency.

$$RES_{theor} = \frac{2 * \left( \frac{1}{32,768kHz \text{ Clock}} * 2^{ANZ\_PER\_CALRES} \right)}{t_{4Mz \text{ Resonator}}} = \text{theoretical value}$$

$$RES\_X = \text{measured value}$$

$$\text{Correction factor} = \frac{RES_{theor}}{RES\_X}$$

$$\text{Calibrated HSCLK freq.} = \text{HSCLK freq.} * \text{Correction factor}$$

### Example:

The system shall work with a 4 MHz resonator. With DIV\_CLKHS = 0 and ANZ\_PER\_CALRES = 1 the theoretical result is 122.0703125µs/250ns = 488.28125 (RES\_O = 'h01E84800). If the ceramic resonator in use is not exactly at 4 MHz but only 3.98 MHz the calibration measurement will show 485,83984375 (RES\_O = 1E5D700). The correction factor for the microcontroller is 1.005.

**Note:** During clock calibration the start input has to be enabled.

**Source Code Example:**

```
//-----
// Start Calibrate High Speed Clock Cycle
// NOTE: It does not work in combination with EN_AUTOCALC = 1

gp21_wr_config_reg(Bus_Type, 0x83, 0x00000000); // EN_AUTOCALC=0

gp21_send_1byte(Bus_Type, Init);
gp21_send_1byte(Bus_Type, Start_Cal_Resonator);

// Wait for INT Slot_x
Wait_For_Interrupt(Bus_Type);

//Calculate Correction factor (ANZ_PER_CALRES=1)
CLKHS_freq_corr_fact = 122.070/
gp21_read_n_bytes(Bus_Type, 4, 0xB0, 0x00, 16) * CLKHS_freq;

printf("\n Correction factor for clock = %1.3f\n", CLKHS_freq_corr_fact);

CLKHS_freq_cal *= CLKHS_freq_corr_fact; // Calibrated Clock frequency

gp21_wr_config_reg(Bus_Type, 0x83, 0x80000000); // EN_AUTOCALC=1
//-----
```

**5.1.4 How to use Clock Calibration****a. Application**

This option is dedicated especially to ultrasonic flow and heat meters. In those applications the use of ceramic oscillators shows two main advantages: lower cost and less current consumption. Mainly because of the short oscillation start-up time of the ceramic oscillator the operating current can be reduced by several  $\mu\text{A}$ . Referring to 10 years of operation this saves several 100 mAh in battery capacitance. There is no negative effect on the resolution when using this option the correct way.

**b. Jitter of the 32 kHz clock and consequences**

The 32 kHz clock is very precise in frequency with only a few ppm error. However, the phase jitter is about 3 to 5 ns peak-peak. For this reason also a calibration measurement (Start\_Cal\_Resonator) has this error. When multiplying a measurement result with the calibration result, the jitter of the calibration is transferred to the result by the ratio

calibration measurement time (see ANZ\_PER\_CALRES) to measurement time. Using a permanently updated calibration value will add a considerable jitter to the measurement result.

### c. Application of this option in ultrasonic flow meters

A measurement result is always made of two single time-of-flight measurements in ultrasonic flow meters, with and against the flow direction. The difference between those measurements is a measure for the flow. To avoid an influence of the calibration jitter on this measurement result it is necessary only to use the same calibration for both ToF measurements. Following this, the difference between the two ToF measurements will be free of the jitter of the clock calibration measurement. The clock can be calibrated only between measurements that are not directly subtracted from each other.

## 5.2 Fire Pulse Generator

### 5.2.1 General Description

The fire pulse generator generates a sequence of pulses which is highly programmable in frequency, phase and number of pulses. The high-speed oscillator frequency divided by the factor selected for DIV\_CLKHS is used as the basic frequency. This frequency is internally doubled and can freely be divided by a factor of 2 to 15. It is possible to generate 1 to 127 pulses. If maximum 15 pulses are sent the phase for each pulse can be adjusted per register configuration. The fire pulse generator is activated by sending opcode Start\_TOF. The fire pulse may be used directly for the START of the TDC.

The fire pulse generator provides 2 outputs, FIRE\_UP and FIRE\_DOWN. The driver strength of each output is 96 mA @ 3.3 V. Furthermore, FIRE\_DOWN output signal can be inverted to double the signal amplitude. The outputs can be set individually High-Z. Alternately, the default level of the inactive buffer can be set to GND.

### 5.2.2 Configuration

#### Number of pulses:

ANZ_FIRE	= 0	Switch off fire pulse generator
	= 1	1 pulse
	= 2	2 pulses

	...	...
	= 127	127 pulses
SEL_START_FIRE	= 1	Fire pulse is used as TDC START
FIRE_DEFAULT	= 0	Default level High-Z (GP2 compatible)
	= 1	Default level GND. Mandatory if the internal analog circuit and the recommended circuit with external R and C is used.

**Phase:**

The phase of each pulse can be defined in register 5, PHFIRE[0..14], (Mandatory: PHFIRE[15] = 0), if not more than 15 pulses are sent. "0" stands for HIGH-LOW and "1" for LOW-HIGH. The pulse sequence begins with the LSB and ends with the MSB.

**Example:**

ANZ\_FIRE = 15, PHFIRE = 'h0055

It is an easy way to halve the pulse frequency. For that use PHFIRE = 'h5555 and defining straight number of ANZ\_FIRE = 14.

**Fire pulse frequency:**

The input signal fireclk1 for the fire pulse generator is derived from the high speed clock CLKHS and the selected value for the high speed clock divider DIV\_CLKHS.

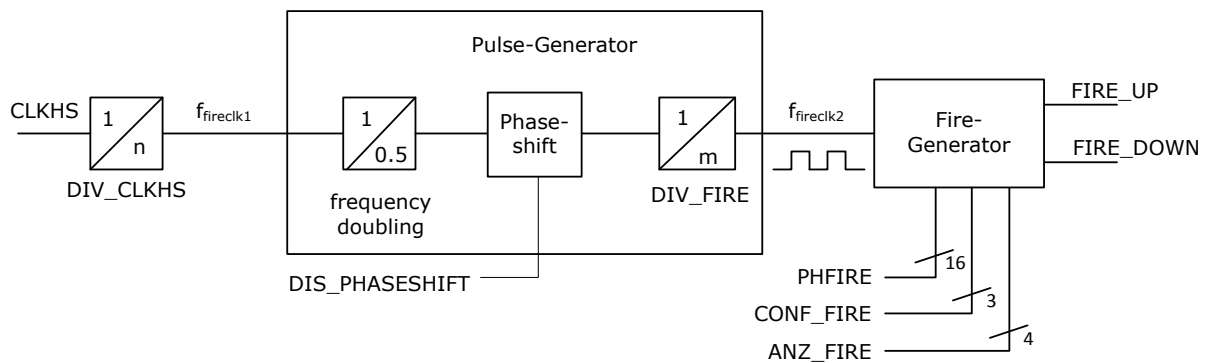


Figure 5.3

This Signal is internally doubled and divided by DIV\_FIRE.

DIV_FIRE =	0	not permitted
	1	divided by 2
	2	divided by 3
	...	...
	15	divided by 16

Register 5, bit 19, DIS\_PHASESHIFT activates the phase shift, which introduces additional noise to improve statistical behavior when averaging.

DIS\_PHASESHIFT = 0      Phase shift on

DIS\_PHASESHIFT = 1      Phase shift off

$$f_{fireclk2} = f_{fireclk1} * \frac{2}{DIV\_FIRE + 1}$$

fireclk2 is used as reference signal for the FIRE\_UP / FIRE\_DOWN - signal which is emitted by the output buffers FIRE\_UP / FIRE\_DOWN of the fire pulse generator.

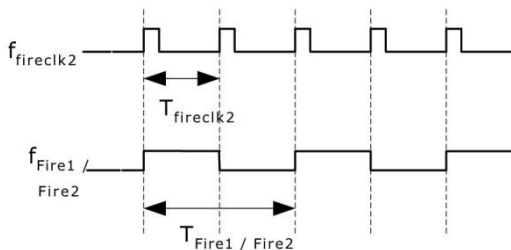


Figure 5.4

As shown in Figure 16 at least 2 clock periods  $T_{fireclk2}$  are required to send one fire pulse. One for the high phase and one for the low phase of the FIRE\_UP/FIRE\_DOWN output signal.

**Example:**

CLKHS = 4 MHz, DIV\_CLKHS = 1, DIV\_FIRE = 1

$$f_{fireclk2} = f_{fireclk1} * \frac{2}{DIV\_FIRE + 1} = 2MHz$$

Max. frequency of the FIRE\_UP / FIRE\_DOWN output signal:

$$f_{Fire1/Fire2} = \frac{1}{2} * f_{fireclk2} = 1MHz$$

**Driver outputs:**

The output drivers are configured by setting CONF\_FIRE in register 5, bits 29 to 31:

CONF\_FIRE configures the FIRE\_UP and FIRE\_DOWN outputs of the GP21. CONF\_FIRE is used to control which of the outputs (FIRE\_UP or FIRE\_DOWN) are first fired when the Start\_TOF\_Restart command is issued. It is also used to individually enable or disable these outputs.

Only one of the three bits may be set to 1:

- |            |                                                                                                                                        |
|------------|----------------------------------------------------------------------------------------------------------------------------------------|
| Bit 31 = 1 | Fire both outputs (FIRE_UP and FIRE_DOWN) simultaneously. In this case, the FIRE_DOWN output is an inverted representation of FIRE_UP. |
| Bit 30 = 1 | Enable FIRE_UP output only, or when Start_TOF_Restart is issued, fire this output first.                                               |
| Bit 29 = 1 | Enable FIRE_DOWN output only, or when Start_TOF_Restart is issued, fire this output first.                                             |

**Note:**

In register 5, bits 16 to 18, REPEAT\_FIRE originally had been implemented for sing around measuring. Please set

REPEAT\_FIRE = 0    no repetition

**5.3 Fast Initialization**

In measurement mode 1 the TDC-GP21 offers the possibility of a fast initialization.

Activated by setting register 1, bit 15, EN\_FAST\_INIT = "1" the interrupt flag automatically



initializes the TDC. So the TDC is already prepared for the next measurement while the data can be read out. This mode is for highest speed applications only. It is most reasonable for un-calibrated measurements with only one stop.

## 5.4 Noise Unit

In case the user wants to improve the measuring results by averaging it is necessary that the values do not always display exactly the same time difference. Instead the user should provide some "noise" so that different quantization steps of the characteristic curve of the TDC are involved. This can not happen with very constant time differences. One would constantly hit the same LSB.

The noise unit enables the use of weighted averaging even for constant time differences. The noise unit adds a random offset to the start. It is dedicated to applications where the TDC gets a dummy start and measures the time difference between STOP1 and STOP2 (e.g. laser range finders).

The noise unit is switched on by setting register 5, bit 28, EN\_STARTNOISE = "1"

## 5.5 EMC Measures

Regarding the EMC susceptibility, there are measures we can recommend:

- Most importantly: the housing of the spool-piece must be connected to the electrical GND signal of the PCB
- Using ferrite cores with  $\sim 100 \text{ Ohm}$  @  $100 \text{ MHz}$  with a low DC resistance, e.g. MURATA - BLM18EG101TN1D - FERRITE BEAD (Impedance:  $100 \text{ Ohm}$ , DC Resistance Max:  $0.045 \text{ Ohm}$ , DC Current Rating:  $2000 \text{ mA}$ , Ferrite Case Style: O603)
- Using capacitors (value =  $1 \text{ nF}$ ) between fire outputs and GND
- Using a shielded cable
- Common mode chokes are not needed

With these measures, we usually see significant improvement.

Please make sure that the capacitors are of COG type. Use no other types. Values up to  $2.2 \text{ nF}$  should work without too big disturbance on the measurement result.

### EMC protection of transducer (acam-messelectronic gmbh)

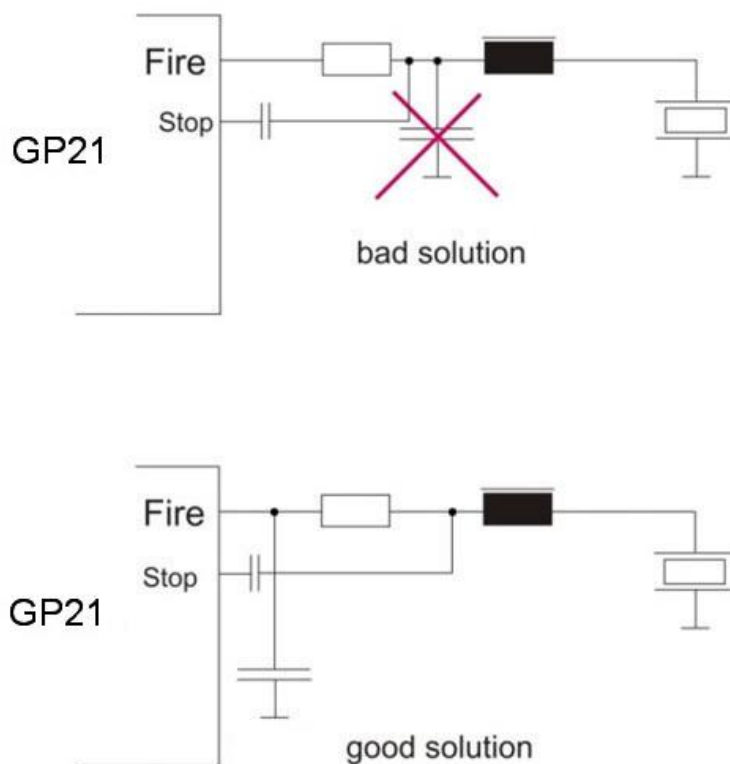


Figure 5.4



## 6 Applications

### 6.1 Ultrasonic Heat Meter

The TDC-GP21 is perfectly suited for low-cost ultrasonic heat meter designs. Thanks to the implemented functionality, including precision temperature measurement, fire pulse generator, analog switches, comparator, windowing and clock calibration, it is sufficient to add a simple microprocessor (without A/D converter).

The final circuit reaches a unknown level in compactness and small size. The following diagram shows the front end section of a typical ultrasonic heat meter as it might look like when TDC-GP21 is used.

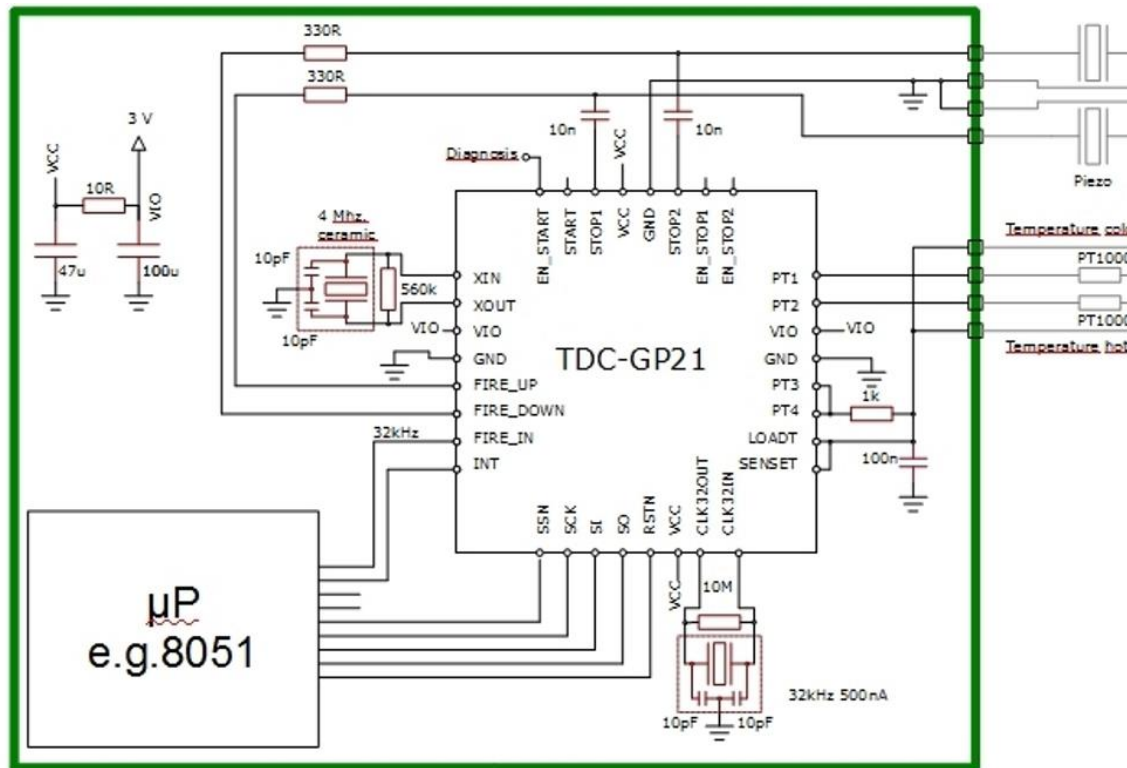


Figure 6.1

The red parts illustrate the external components needed. The number is reduced to a minimum:

- In the ultrasonic path, the piezo transducers are connected through pairs of R and C.

- In the temperature path only a temperature stable reference resistor and a capacitor
- As oscillators take a 32.768 kHz and a ceramic 4 MHz oscillator. The FIRE\_IN pin can be used as output driver for the 32.768 kHz clock, so the  $\mu\text{P}$  does not need a low power oscillator.
- For the power supply use separate bypass capacitors of sufficient size to block  $V_{cc}$  and  $V_{io}$ . Separate both by a small resistor.

In total 11 low-cost elements only are needed for the measurement.

Register	Value	Typical example configuration (*)
Register 0	'hA30B6800	ANZ_FIRE = 10 (see register 6, too) DIV_FIRE = 3, fire pulse frequency = 4 MHz/4 = 1.0 MHz ANZ_PER_CALRES = 0, the 4 MHz is calibrated by a 61.035 $\mu\text{s}$ measurement DIV_CLKHS = 0, the 4 MHz ceramic oscillator is internally used as it is START_CLKHS = 2, the ceramic oscillator has 480 $\mu\text{s}$ to settle ANZ_PORT = 1, use all 4 ports for the temperature measurement TCYCLE = 1, 512 $\mu\text{s}$ cycle time for the temperature measurement ANZ_FAKE = 0, 2 fake measurements SEL_ECLK_TMP = 1, use 4 MHz for the temperature measurement cycle definition CALIBRATE = 1, mandatory in measurement mode 2 to be on NO_CAL_AUTO = 0, mandatory in measurement mode 2 to have auto-calibration MESSB2 = 1, switch on measurement mode 2 for measuring > 2 $\mu\text{s}$ . NEG_STOP/NEG_START = 0, all set to rising edges ID0 = 'h00
Register 1	'h21444000	HIT2 = 2, HIT1 = 1: calculate 1. Stop - Start in measurement mode 2 EN_FAST_INIT = 0, off HITIN2 = 0 HITIN1 = 4, measure 3 stops (in measurement mode 2 this includes the start, too, giving 4 hits) CURR32K = 0, use default SEL_START_FIRE = 1, use the internal direct wiring from the fire pulse buffer to the TDC start SEL_TST02 = 0, EN_START active SEL_TST01 = 0, FIRE_IN pin is used as fire in ID1 = 'h00
Register 2	'hA0320000	EN_INT = b0101, interrupt given by Timeout TDC or ALU ready RFEDGE1 = RFEDGE2 = 0, use only rising edges DELVAL1 = h'3200, the first stop is accepted after 100 $\mu\text{s}$ ID2 = 'h00
Register 3	'h18340000	EN_ERR_VAL = 0, there is enough time to read the status register SEL_TIMO_MB2 = 3, time out is generated after 4096 $\mu\text{s}$ DELVAL2 = h'3300, the first stop is accepted after 104 $\mu\text{s}$ ID3 = 'h00
Register 4	'h20360000	DELVAL3 = h'3400, the first stop is accepted after 108 $\mu\text{s}$ ID4 = 'h00

Register 5	'h40000000	<p>CON_FIRE = 2, enable FIRE_UP. If opcode Start_TOF_Restart is used FIRE_UP and FIRE_DOWN are used alternately for up and down flow measurements. With the configuration described here the measurement cycle starts sending fire pulses at pin FIRE_UP.</p> <p>EN_STARTNOISE = 0, switch off</p> <p>DIS_PHASESHIFT = 0, phase noise unit is active to improve the statistical behavior</p> <p>REPEAT_FIRE = 0, no sing-around</p> <p>PHFIRE = 0, no phase change in the fire pulse sequence</p> <p>ID5 = 'h00</p>
Register 6	'hCOE45000	<p>EN_ANALOG = 1, use the internal analog circuit</p> <p>NEG_STOP_TEMP = 1, use the internal Schmitt trigger for the temperature measurement</p> <p>TW2 = 3, 300 <math>\mu</math>s delay to charge up the capacitors of the highpass</p> <p>EN_INT = b0101, interrupt given by Timeout TDC or ALU ready (see also register 2)</p> <p>START_CLKHS = 2, the ceramic oscillator has 480 <math>\mu</math>s to settle (see also register 0)</p> <p>CYCLE_TEMP = 0, use factor 1.0 for the Start_Temp_Restart</p> <p>CYCLE_TOF = 0, use factor 1.0 for the delay between two ToF measurements</p> <p>HZ60 = 0, 50 Hz base</p> <p>FIREQ_DEF = 1, mandatory when using the internal analog circuit</p> <p>QUAD_RES = 0</p> <p>DOUBLE_RES = 0, use 45 ps BIN</p> <p>TEMP_PORTDIR = 0, standard order for T measurement</p> <p>ANZ_FIRE = 10 (see register 0, too)</p> <p>ID6 = 'h00</p>

(\* ) the contents of the registers can differ

**Measurement flow:**

Power-on reset:

Send SO = 'h50

Load configuration from EEPROM to configuration registers:

Send SO = 'hFO

Check-loop INTN = 0? for end of EEPROM action

**Measurement loop:**

Temperature measurement, every 30 seconds:

Send SO = 'h06 Start\_Temp\_Restart

Check-loop INTN = 0?

Calibrate Clock:

Send SO = 'h03 Start\_Cal\_Resonator

Check-loop INTN = 0?

Send SO = 'hB0, Read SI = RES\_0

Correction factor = 61.035/RES\_0

Send SO = 'hB4, Read SI = STAT

STAT&'h0600 > 0: -> Error routine

Send SO = 'h81314000 calculate HIT2-Start

Wait for 2.8  $\mu$ s (ALU time)

Send SO = 'h81414000 calculate HIT3-

Send SO = 'hB4, Read SI = STAT  
STAT&'h1E00 > 0: -> Error routine  
Send SO = 'hB0, Read SI = RES\_0  
Send SO = 'hB1, Read SI = RES\_1  
Send SO = 'hB2, Read SI = RES\_2  
Send SO = 'hB3, Read SI = RES\_3  
Rhot/Rref = RES\_0/RES\_1  
Rcold/Rref = RES\_3/RES\_2  
Check-loop INTN = 0?  
Send SO = 'hB4, Read SI = STAT  
STAT&'h1E00 > 0: -> Error routine  
Send SO = 'hB0, Read SI = RES\_0  
Send SO = 'hB1, Read SI = RES\_1  
Send SO = 'hB2, Read SI = RES\_2  
Send SO = 'hB3, Read SI = RES\_3  
Rhot/Rref = RES\_0/RES\_1  
Rcold/Rref = RES\_3/RES\_2  
Calculate the average of the two  
measurements.  
Go to look-up table to get the temperatures  
Time-of-flight measurement every half  
second:  
Send SO = 'h70 Initialize TDC  
Send SO = 'h05 Start\_TOF\_Restart  
Check-loop INTN = 0? (up TOF)

Start  
Wait for 2.8  $\mu$  s (ALU time)  
Send SO = 'hB0, Read SI = RES\_0  
Send SO = 'hB1, Read SI = RES\_1  
Send SO = 'hB2, Read SI = RES\_2  
Send SO = 'h70 Initialize TDC  
Check-loop INTN = 0? (down TOF)  
Send SO = 'hB4, Read SI = STAT  
STAT&'h0600 > 0: -> Error routine  
Send SO = 'h81314000 calculate HIT2-  
Start  
Wait for 2.8  $\mu$  s (ALU time)  
Send SO = 'h81414000 calculate HIT3-  
Start  
Wait for 2.8  $\mu$  s (ALU time)  
Send SO = 'hB0, Read SI = RES\_0  
Send SO = 'hB1, Read SI = RES\_1  
Send SO = 'hB2, Read SI = RES\_2  
 $\mu$  P can now start the data post-processing  
and  
calculate the flow and the heat.

## 7 Miscellaneous

### 7.1 Bug Report

#### 7.1.1 FIRE Pulse Generator

A flow measurement has to begin with sending on FIRE\_UP. Otherwise, under certain conditions, noise might be increased. This is avoided easily by starting with FIRE\_UP.

#### 7.1.2 TDC-CAL read error without Quad resolution

In case quad resolution is not set then reading separately the TDC cal value will give a wrong read value. The internal calibration value is correct, but the transfer to the read register is not correct. Therefore, measurement data are not affected.

Effect in Measurement mode 2:

- In this mode the cal value is for information only. Further, quad resolution is recommended anyway.

Effect in Measurement mode 1:

- Customers using auto calibration are not affected.
- Only customers that want to read uncalibrated data and do external calibration are affected.

Workaround:

- The calibration data are not addressed directly after the calibration measurement but after the next regular measurement, before the next INIT.

Example:

```
Reg1 = 'h21...  
Reg1 = 'h67...  
result0 = read(adr=0)  
cal = read(adr=1)  
INIT
```



## 7.1.3 Timeout Temperature Measurement

**Note:** Due to a bug it is necessary to have SEL\_TIMO\_MB2 at 2ms to get a correct interrupt indication when 512  $\mu$ s cycle time is selected.

## 7.1.4 Timeout TOF Measurement

Problem:

In case there is a timeout (e.g. because of air in the spool piece) the pulse-width measurement starts but does not end before there is an INIT. The current is increased by 500  $\mu$ A. The problem appears only with active pulse-width measurement.

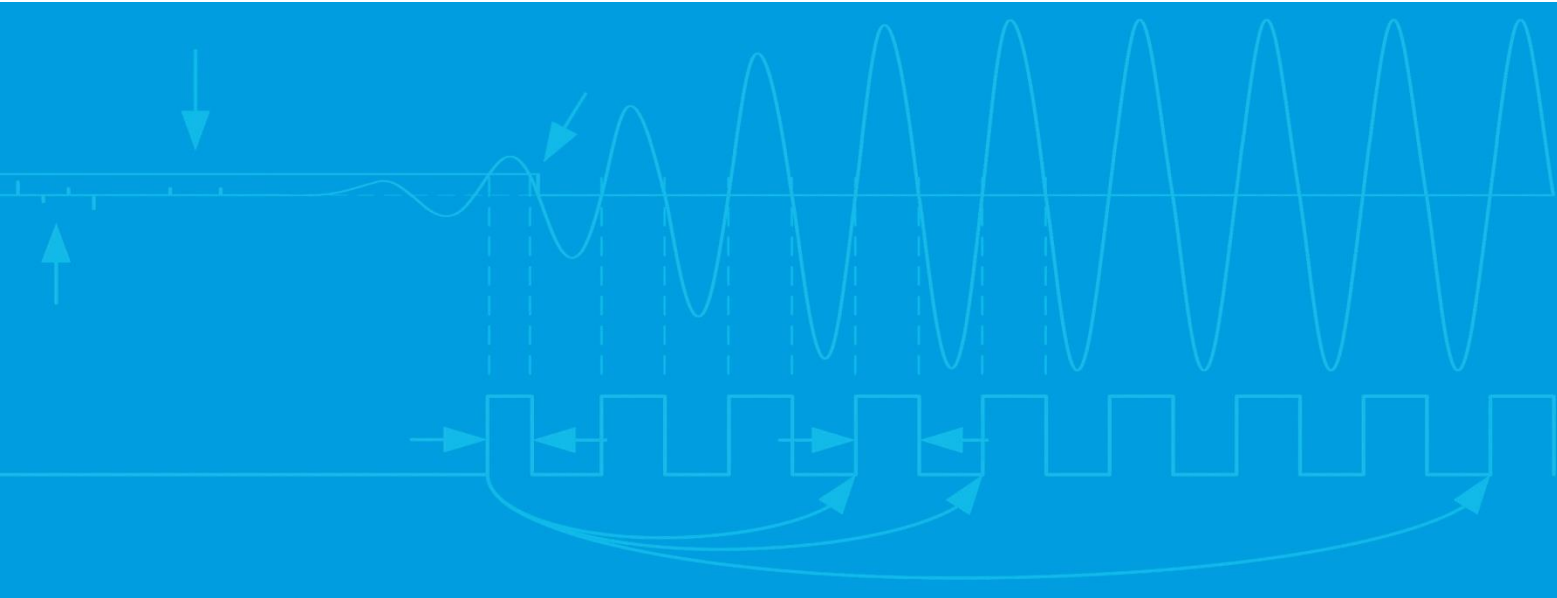
Solutions:

1. It is mandatory to answer to any interrupt from TDC-GP21 by minimum an INIT command. Even in case you know the next data are bad you need to send an INIT to stop the pulse-width measurement. Also in case you don't read the data. Of course, timeout has to be selected as an interrupt source.

## 7.2 Last Changes

27.05.2010	Target Specification, draft version
28.07.2010	Version 0.1 for release
13.08.2010	Version 0.2 slight changes
08.11.2010	Version 0.3 released
24.11.2010	Version 1.0 released, revision of section 4
17.01.2011	Version 1.1 released, several corrections in the whole document
08.02.2011	Version 1.1 small corrections in section 5 and 6.
21.02.2011	Version 1.1 slight corrections in section 3 and 5
03.03.2011	Version 1.2 released. Revision of the measurement flow example in section 6
05.08.2011	Version 1.3, new section 4.3.1 and 7.1. Reg5 corrected and further small corrections
25.05.2012	Version 1.4 changes on pages 2-5; 3-7; 3-8; 3-10; 4-12; 6-2; 6-3

14.11.2013	Version 1.5 Correction Status register (EEflags). Smaller additions; In Measurement Mode 2 Tmin=700ns adapted; Expands section 2.6 Power Supply, page 2-15; Description EN_ANALOG (Register 6) adds, page 3-10; Important supplement to writing the EEPROM, page 3-15; Description of the configuration of the Fire Pulse Generator adds, page 5-6; Add new section 5.5 EMC Measures, page 5-10; Revised the used registers, page 6-2; Bug Report completed, section 7.1;
13.03.2014	Version 1.6: EMC section corrected



acam-messelectronic gmbh  
Friedrich-List-Straße 4  
76297 Stutensee-Blankenloch  
Germany  
Phone +49 7244 7419 - 0  
Fax +49 7244 7419 - 29  
E-Mail [support@acam.de](mailto:support@acam.de)  
[www.acam.de](http://www.acam.de)