

TLV703x and TLV704x Small-Size, Nanopower, Low-Voltage Comparators

1 Features

- Ultra-small X2SON, WSON, WQFN packages
- Tiny SOT-23, SC70, VSSOP, and TSSOP packages
- Wide supply voltage range of 1.6 V to 6.5 V
- Quiescent supply current of 315 nA
- Low propagation delay of 3 μ s
- Rail-to-rail common-mode input voltage
- Internal hysteresis
- Push-pull output (TLV703x)
- Open-drain output (TLV704x)
- No phase reversal for overdriven inputs
- -40°C to 125°C Operating temperature

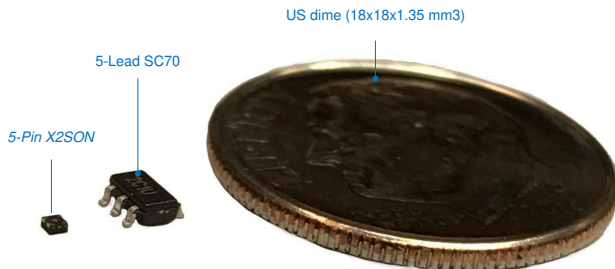
2 Applications

- [Mobile phones and tablets](#)
- [Headsets/headphones & earbuds](#)
- [PC & notebooks](#)
- [Gas Detector](#)
- [Smoke & heat detector](#)
- [Motion Detector](#)
- [Gas Meter](#)
- [Servo drive position sensor](#)

3 Description

The TLV7031/TLV7041 (single-channel), TLV7032/42 (dual-channel), and TLV7034/44 (quad-channel) are low-voltage, nanoPower comparators. These devices are available in an ultra-small, leadless packages as well as standard 5-pin SC70, SOT-23, VSSOP, and TSSOP packages, making them applicable for space-critical designs like smartphones, smart meters, and other portable or battery-powered applications.

The TLV703x and TLV704x offer an excellent combination of speed and power, with a propagation



X2SON Package vs SC70 and US Dime

delay of 3 μ s and a quiescent supply current of 315 nA. The benefit of fast response time at nanoPower enables power-conscious systems to monitor and respond quickly to fault conditions. With an operating voltage range of 1.6 V to 6.5 V, these comparators are compatible with 3-V and 5-V systems.

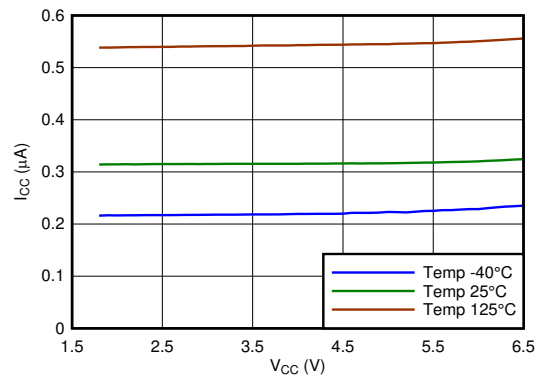
The TLV703x and TLV704x also ensure no output phase inversion with overdriven inputs and internal hysteresis, so engineers can use this family of comparators for precision voltage monitoring in harsh, noisy environments where slow-moving input signals must be converted into clean digital outputs.

The TLV703x has a push-pull output stage capable of sinking and sourcing milliamps of current when controlling an LED or driving a capacitive load. The TLV704x has an open-drain output stage that can be pulled beyond V_{CC} , making it appropriate for level translators and bipolar to single-ended converters.

Device Information

| PART NUMBERS | PACKAGE (PINS) ⁽¹⁾ | BODY SIZE (NOM) |
|------------------|-------------------------------|-------------------|
| TLV7031, TLV7041 | X2SON (5) | 0.80 mm x 0.80 mm |
| | SC70 (5) | 2.00 mm x 1.25 mm |
| | SOT-23 (5) | 2.90 mm x 1.60 mm |
| TLV7032, TLV7042 | VSSOP (8) | 3.00 mm x 3.00 mm |
| | SOT-23 (8) | 2.90 mm x 1.60 mm |
| | WSON (8) | 2.00 mm x 2.00 mm |
| TLV7034, TLV7044 | WQFN (16) | 3.00 mm x 3.00 mm |
| | TSSOP (14) | 4.40 mm x 5.00 mm |

- (1) For all available packages, see the orderable addendum at the end of the data sheet.



I_{CC} vs. Supply Voltage

Table of Contents

| | | | |
|--|----|--|----|
| 1 Features | 1 | 7 Detailed Description | 18 |
| 2 Applications | 1 | 7.1 Overview..... | 18 |
| 3 Description | 1 | 7.2 Functional Block Diagram..... | 18 |
| 4 Revision History | 2 | 7.3 Feature Description..... | 18 |
| 5 Pin Configuration and Functions | 4 | 7.4 Device Functional Modes..... | 18 |
| Pin Functions..... | 4 | 8 Application and Implementation | 20 |
| Pin Functions: TLV7032/42..... | 5 | 8.1 Application Information..... | 20 |
| Pin Functions: TLV7034/44..... | 6 | 8.2 Typical Applications..... | 23 |
| 6 Specifications | 7 | 9 Power Supply Recommendations | 30 |
| 6.1 Absolute Maximum Ratings..... | 7 | 10 Layout | 31 |
| 6.2 ESD Ratings..... | 7 | 10.1 Layout Guidelines..... | 31 |
| 6.3 Recommended Operating Conditions..... | 7 | 10.2 Layout Example..... | 31 |
| 6.4 Thermal Information (Single)..... | 7 | 11 Device and Documentation Support | 32 |
| 6.5 Thermal Information (Dual)..... | 8 | 11.1 Device Support..... | 32 |
| 6.6 Thermal Information (Quad)..... | 8 | 11.2 Documentation Support..... | 32 |
| 6.7 Electrical Characteristics (Single)..... | 9 | 11.3 Receiving Notification of Documentation Updates.. | 32 |
| 6.8 Switching Characteristics (Single)..... | 9 | 11.4 Support Resources..... | 32 |
| 6.9 Electrical Characteristics (Dual)..... | 10 | 11.5 Trademarks..... | 32 |
| 6.10 Switching Characteristics (Dual)..... | 10 | 11.6 Electrostatic Discharge Caution..... | 32 |
| 6.11 Electrical Characteristics (Quad)..... | 11 | 11.7 Glossary..... | 32 |
| 6.12 Switching Characteristics (Quad)..... | 11 | 12 Mechanical, Packaging, and Orderable Information | 32 |
| 6.13 Timing Diagrams..... | 12 | | |
| 6.14 Typical Characteristics..... | 13 | | |

4 Revision History

NOTE: Page numbers for previous revisions may differ from page numbers in the current version.

| | |
|--|-------------|
| Changes from Revision G (Nov 2020) to Revision H (July 2021) | Page |
| • Releasing TSSOP package option..... | 1 |
| Changes from Revision F (November 2019) to Revision G (December 2020) | Page |
| • Updated the numbering format for tables, figures, and cross-references throughout the document | 1 |
| • Added SOT-23 (8) and WSON (8) for dual channel options..... | 1 |
| Changes from Revision E (June 2019) to Revision F (November 2019) | Page |
| • Added quad channel versions..... | 1 |
| • Added SOT-23 (8) and WSON (8) for dual channel options | 1 |
| • Added QUAD package options..... | 1 |
| • Added TSSOP and RTE pinout information to <i>Pin Configuration and Functions</i> section | 5 |
| Changes from Revision D (April 2019) to Revision E (June 2019) | Page |
| • Changed VOH min from 4.7V to 4.65V for all package options in EC Table (Single) | 9 |
| • Changed VOL max from 300mV to 350mV for all package options in EC Table (Single) | 9 |
| • Deleted separate rows for VOH & VOL for DBV package options only in EC Table (Single) | 9 |
| Changes from Revision C (March 2019) to Revision D (April 2019) | Page |
| • Added separate rows for VOH & VOL for DBV package options in EC Table (Single) | 9 |
| Changes from Revision B (May 2018) to Revision C (March 2019) | Page |
| • Added dual channel versions in VSSOP package..... | 1 |
| • Changed TLV7031 to TLV703x and TLV7041 to TLV704x throughout the document | 1 |
| • Added dual channel versions..... | 1 |

- Added Device Information dual channel versions in VSSOP package..... 1
- Deleted The SOT-23 package is in preview only..... 1

Changes from Revision A (January 2018) to Revision B (May 2018) Page

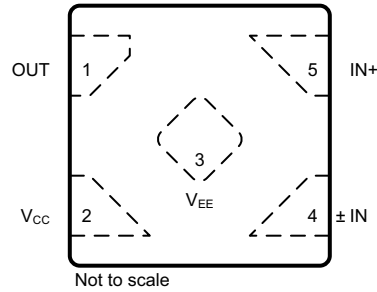
- Changed the preview SC70 package to production data..... 1

Changes from Revision * (September 2017) to Revision A (January 2018) Page

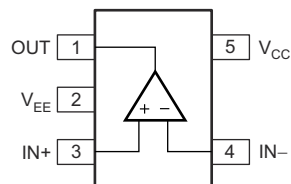
- Changed data sheet title from: TLV7031/TLV7041 Small-Size, nanoPower, Low-Voltage Comparators to: TLV7031 and TLV7041 Small Size, nanopower, Low-Voltage Comparators 1
- Added Internal Hysteresis bullet to *Features* 1
- Specified which device has push-pull output and open-drain output options in *Features* 1
- Removed (TLV7031) from key graphic title because the graph covers both the TLV7031 and TLV7041 devices..... 1
- Added X2SON tablenote to *Pin Functions* table 4
- Changed [Figure 6-2](#) 12
- Added note to the *Timing Diagrams* section..... 12
- Smoothed Propagation Delay plots in [Propagation Delay \(L-H\) vs Input Overdrive](#) through 13
- Changed vertical labels on [Output Voltage Low vs Output Sink Current](#), [Output Voltage Low vs Output Sink Current](#), [Figure 6-17](#), and [Rise/Fall Time vs Load Capacitance](#) 13
- Changed *Functional Block Diagram* 18
- Changed text 'the TLV7041 features an open-drain output stage enabling the output logic levels to be pulled up to an external source up to 7 V' to 'the TLV7041 features an open-drain output stage enabling the output logic levels to be pulled up to an external source up to 6.5 V'..... 19
- Changed [Figure 8-3](#) 23
- Added note to the *Layout Example* section..... 31
- Added *Documentation Support* section 32

顶点光电子商城
<https://www.vertex-icbuy.com/>

5 Pin Configuration and Functions



**Figure 5-1. DPW Package
5-Pin X2SON
Top View**



**Figure 5-2. DBV and DCK Package
5-Pin SOT-23 and SC70
Top View**

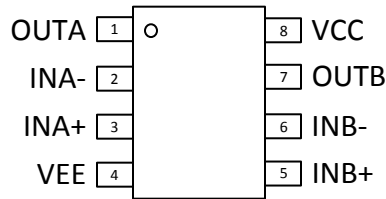
Pin Functions

| PIN | | | I/O ⁽²⁾ | DESCRIPTION |
|----------------------|--------------|-----------------|--------------------|---------------------------------|
| X2SON ⁽¹⁾ | SOT-23, SC70 | NAME | | |
| 1 | 1 | OUT | O | Output |
| 2 | 5 | V _{CC} | P | Positive (highest) power supply |
| 3 | 2 | V _{EE} | P | Negative (lowest) power supply |
| 4 | 4 | IN ⁻ | I | Inverting input |
| 5 | 3 | IN ⁺ | I | Noninverting input |

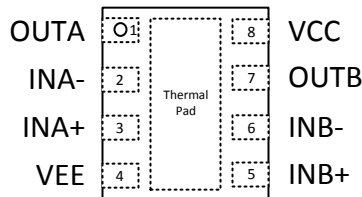
(1) The application report [Designing and Manufacturing With TI's X2SON Packages](#) (SCEA055) provides more details on the optimal PCB designs.

(2) I = Input, O = Output, P = Power

顶点光电子商城
<https://www.vertex-icbuy.com/>



**Figure 5-3. TLV7032/42 DGK, DDF Packages
8-Pin VSSOP, SOT-23
Top View**



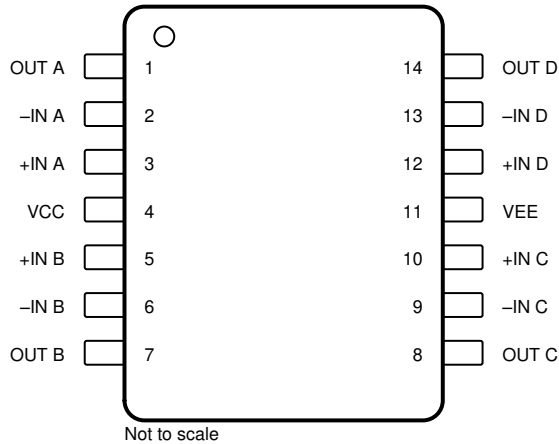
A. Connect thermal pad to V-.

**Figure 5-4. TLV7032/42 DSG Package
8-Pin WSON With Exposed Thermal Pad
Top View**

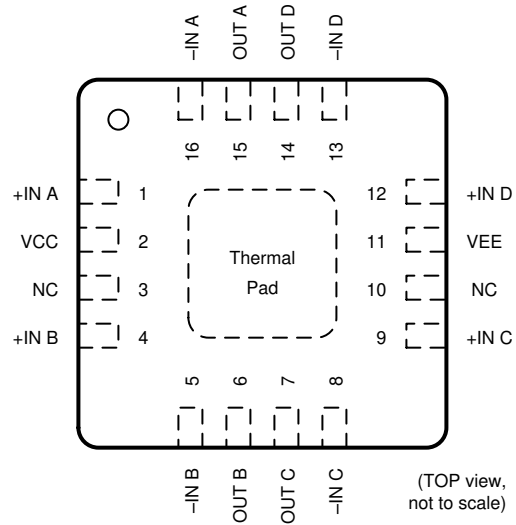
Pin Functions: TLV7032/42

| PIN | | I/O | DESCRIPTION |
|------|-----|-----|--|
| NAME | NO. | | |
| INA- | 2 | I | Inverting input, channel A |
| INA+ | 3 | I | Noninverting input, channel A |
| INB- | 6 | I | Inverting input, channel B |
| INB+ | 5 | I | Noninverting input, channel B |
| OUTA | 1 | O | Output, channel A |
| OUTB | 7 | O | Output, channel B |
| VEE | 4 | — | Negative (lowest) supply or ground (for single-supply operation) |
| VCC | 8 | — | Positive (highest) supply |

顶点光电子商城
<https://www.vertex-icbuy.com/>



**Figure 5-5. TLV7034/44 PW Packages
14-Pin TSSOP
Top View**



A. Connect thermal pad to V-.

**Figure 5-6. TLV7034/44 RTE Package
16-Pin WQFN With Exposed Thermal Pad
Top View**

Pin Functions: TLV7034/44

| NAME | PIN | | I/O | DESCRIPTION |
|--------|-------|-------|-----|--|
| | TSSOP | WQFN | | |
| -IN1 A | 2 | 16 | I | Inverting input, channel A |
| +IN A | 3 | 1 | I | Noninverting input, channel A |
| -IN B | 6 | 5 | I | Inverting input, channel B |
| +IN B | 5 | 4 | I | Noninverting input, channel B |
| -IN C | 9 | 8 | I | Inverting input, channel C |
| +IN C | 10 | 9 | I | Noninverting input, channel C |
| -IN D | 13 | 13 | I | Inverting input, channel D |
| +IN D | 12 | 12 | I | Noninverting input, channel D |
| NC | — | 3, 10 | — | No internal connection |
| OUT A | 1 | 15 | O | Output, channel A |
| OUT B | 7 | 6 | O | Output, channel B |
| OUT C | 8 | 7 | O | Output, channel C |
| OUT D | 14 | 14 | O | Output, channel D |
| VEE | 11 | 11 | — | Negative (lowest) supply or ground (for single-supply operation) |
| VCC | 4 | 2 | — | Positive (highest) supply |

顶点光电子商城
<https://www.vertex-icbuy.com/>

6 Specifications

6.1 Absolute Maximum Ratings

over operating free-air temperature range (unless otherwise noted)⁽¹⁾

| | MIN | MAX | UNIT |
|--|----------------|----------------|------|
| Supply voltage $V_S = V_{CC} - V_{EE}$ | -0.3 | 7 | V |
| Input pins (IN+, IN-) ⁽²⁾ | $V_{EE} - 0.3$ | 7 | V |
| Current into Input pins (IN+, IN-) | | ±10 | mA |
| Output (OUT) (TLV703x) ⁽³⁾ | $V_{EE} - 0.3$ | $V_{CC} + 0.3$ | V |
| Output (OUT) (TLV704x) | $V_{EE} - 0.3$ | 7 | V |
| Output short-circuit duration ⁽⁴⁾ | | 10 | s |
| Junction temperature, T_J | | 150 | °C |
| Storage temperature, T_{stg} | -65 | 150 | °C |

- (1) Stresses beyond those listed under *Absolute Maximum Ratings* may cause permanent damage to the device. These are stress ratings only, which do not imply functional operation of the device at these or any other conditions beyond those indicated under *Recommended Operating Conditions*. Exposure to absolute-maximum-rated conditions for extended periods may affect device reliability.
- (2) Input terminals are diode-clamped to V_{EE} . Input signals that can swing 0.3V below V_{EE} must be current-limited to 10mA or less.
- (3) Output maximum is ($V_{CC} + 0.3$ V) or 7 V, whichever is less.
- (4) Short-circuit to ground, one comparator per package.

6.2 ESD Ratings

| | | | VALUE | UNIT |
|-----------|-------------------------|--|-------|------|
| V_{ESD} | Electrostatic discharge | Human-body model (HBM), per ANSI/ESDA/JEDEC JS-001 ⁽¹⁾ | ±2000 | V |
| | | Charged-device model (CDM), per JEDEC specification JESD22-C101 ⁽²⁾ | ±1000 | |

- (1) JEDEC document JEP155 states that 500-V HBM allows safe manufacturing with a standard ESD control process.
- (2) JEDEC document JEP157 states that 250-V CDM allows safe manufacturing with a standard ESD control process.

6.3 Recommended Operating Conditions

over operating free-air temperature range (unless otherwise noted)

| | MIN | MAX | UNIT |
|--|----------------|----------------|------|
| Supply voltage $V_S = V_{CC} - V_{EE}$ | 1.6 | 6.5 | V |
| Input voltage range | $V_{EE} - 0.1$ | $V_{CC} + 0.1$ | V |
| Ambient temperature, T_A | -40 | 125 | °C |

6.4 Thermal Information (Single)

| THERMAL METRIC ⁽¹⁾ | | TLV7031/TLV7041 | | | UNIT |
|-------------------------------|--|-----------------|--------------|------------|------|
| | | DPW (X2SON) | DBV (SOT-23) | DCK (SC70) | |
| | | 5 PINS | 5 PINS | 5 PINS | |
| $R_{\theta JA}$ | Junction-to-ambient thermal resistance | 533.2 | 297.2 | 278.8 | °C/W |
| $R_{\theta JC(top)}$ | Junction-to-case (top) thermal resistance | 302.7 | 224.7 | 186.6 | °C/W |
| $R_{\theta JB}$ | Junction-to-board thermal resistance | 408.3 | 200.1 | 113.2 | °C/W |
| Ψ_{JT} | Junction-to-top characterization parameter | 71.5 | 141.2 | 82.3 | °C/W |
| Ψ_{JB} | Junction-to-board characterization parameter | 405.9 | 198.9 | 112.4 | °C/W |
| $R_{\theta JC(bot)}$ | Junction-to-case (bottom) thermal resistance | 188.3 | N/A | N/A | °C/W |

- (1) For more information about traditional and new thermal metrics, see the [Semiconductor and IC Package Thermal Metrics](#) application report.

顶点光电子商城
<https://www.vertex-icbuy.com/>

6.5 Thermal Information (Dual)

| THERMAL METRIC ⁽¹⁾ | | TLV7032/TLV7042 | | | UNIT |
|-------------------------------|--|-----------------|--------------|------------|------|
| | | DGK (VSSOP) | DDF (SOT-23) | DSG (WSON) | |
| | | 8 PINS | 8 PINS | 8 PINS | |
| R _{θJA} | Junction-to-ambient thermal resistance | 211.7 | 212.5 | 106.1 | °C/W |
| R _{θJC(top)} | Junction-to-case (top) thermal resistance | 96.1 | 127.3 | 127.3 | °C/W |
| R _{θJB} | Junction-to-board thermal resistance | 133.5 | 129.2 | 72.5 | °C/W |
| Ψ _{JT} | Junction-to-top characterization parameter | 28.3 | 25.8 | 16.8 | °C/W |
| Ψ _{JB} | Junction-to-board characterization parameter | 131.7 | 129.0 | 72.2 | °C/W |
| R _{θJC(bot)} | Junction-to-case (bottom) thermal resistance | N/A | N/A | 47.6 | °C/W |

(1) For more information about traditional and new thermal metrics, see the [Semiconductor and IC Package Thermal Metrics](#) application report.

6.6 Thermal Information (Quad)

| THERMAL METRIC ⁽¹⁾ | | TLV7034/44 | | UNIT |
|-------------------------------|--|------------|------------|------|
| | | RTE (QFN) | PW (TSSOP) | |
| | | 16 PINS | 14 PINS | |
| R _{θJA} | Junction-to-ambient thermal resistance | 65.4 | 131.0 | °C/W |
| R _{θJC(top)} | Junction-to-case (top) thermal resistance | 70.2 | 60.5 | °C/W |
| R _{θJB} | Junction-to-board thermal resistance | 40.5 | 74.1 | °C/W |
| Ψ _{JT} | Junction-to-top characterization parameter | 5.6 | 12.6 | °C/W |
| Ψ _{JB} | Junction-to-board characterization parameter | 40.5 | 73.5 | °C/W |
| R _{θJC(bot)} | Junction-to-case (bottom) thermal resistance | 24.1 | n/a | °C/W |

顶点光电子商城
<https://www.vertex-icbuy.com/>

6.7 Electrical Characteristics (Single)

$V_S = 1.8\text{ V to }5\text{ V}$, $V_{CM} = V_S / 2$; minimum and maximum values are at $T_A = -40^\circ\text{C to }+125^\circ\text{C}$ (unless otherwise noted). Typical values are at $T_A = 25^\circ\text{C}$.

| PARAMETER | | TEST CONDITIONS | MIN | TYP | MAX | UNIT |
|-----------|--|---|----------|-----------|----------------|------|
| V_{IO} | Input Offset Voltage | $V_S = 1.8\text{ V and }5\text{ V}$, $V_{CM} = V_S / 2$ | | ± 0.1 | ± 8 | mV |
| V_{HYS} | Hysteresis | $V_S = 1.8\text{ V and }5\text{ V}$, $V_{CM} = V_S / 2$, $T_A = 25^\circ\text{C}$ | 2 | 7 | 17 | mV |
| V_{CM} | Common-mode voltage range | | V_{EE} | | $V_{CC} + 0.1$ | V |
| I_B | Input bias current | | | 2 | | pA |
| I_{OS} | Input offset current | | | 1 | | pA |
| V_{OH} | Output voltage high (for TLV7031 only) | $V_S = 5\text{ V}$, $V_{EE} = 0\text{ V}$, $I_O = 3\text{ mA}$ | 4.65 | 4.8 | | V |
| V_{OL} | Output voltage low | $V_S = 5\text{ V}$, $V_{EE} = 0\text{ V}$, $I_O = 3\text{ mA}$ | | 250 | 350 | mV |
| I_{LKG} | Open-drain output leakage current (TLV7041 only) | $V_S = 5\text{ V}$, $V_{ID} = +0.1\text{ V}$ (output high), $V_{PULLUP} = V_{CC}$ | | 100 | | pA |
| CMRR | Common-mode rejection ratio | $V_{EE} < V_{CM} < V_{CC}$, $V_S = 5\text{ V}$ | | 73 | | dB |
| PSRR | Power supply rejection ratio | $V_S = 1.8\text{ V to }5\text{ V}$, $V_{CM} = V_S / 2$ | | 77 | | dB |
| I_{SC} | Short-circuit current | $V_S = 5\text{ V}$, sourcing | | 29 | | mA |
| | | $V_S = 5\text{ V}$, sinking | | 33 | | |
| I_{CC} | Supply current | $V_S = 1.8\text{ V}$, no load, $V_{ID} = -0.1\text{ V}$ (Output Low) | | 335 | 900 | nA |

6.8 Switching Characteristics (Single)

Typical values are at $T_A = 25^\circ\text{C}$, $V_S = 5\text{ V}$, $V_{CM} = V_S / 2$; $CL = 15\text{ pF}$, input overdrive = 100 mV (unless otherwise noted).

| PARAMETER | | TEST CONDITIONS | MIN | TYP | MAX | UNIT |
|-----------|--|--|-----|-----|-----|---------------|
| t_{PHL} | Propagation delay time, high to-low (RP = 2.5 k Ω TLV7041 only) | Midpoint of input to midpoint of output, $V_{OD} = 100\text{ mV}$ | | 3 | | μs |
| t_{PLH} | Propagation delay time, low-to high (RP = 2.5 k Ω TLV7041 only) | Midpoint of input to midpoint of output, $V_{OD} = 100\text{ mV}$ | | 3 | | μs |
| t_R | Rise time (TLV7031 only) | Measured from 10% to 90% | | 4.5 | | ns |
| t_F | Fall time | Measured from 10% to 90% | | 4.5 | | ns |
| t_{ON} | Power-up time | During power on, V_{CC} must exceed 1.6V for 200 μs before the output will reflect the input. | | 200 | | μs |

6.9 Electrical Characteristics (Dual)

$V_S = 1.8\text{ V to }5\text{ V}$, $V_{CM} = V_S / 2$; minimum and maximum values are at $T_A = -40^\circ\text{C to }+125^\circ\text{C}$ (unless otherwise noted). Typical values are at $T_A = 25^\circ\text{C}$.

| PARAMETER | | TEST CONDITIONS | MIN | TYP | MAX | UNIT |
|-----------|--|--|----------|-----------|----------------|------|
| V_{IO} | Input Offset Voltage | $V_S = 1.8\text{ V and }5\text{ V}$, $V_{CM} = V_S / 2$ | | ± 0.1 | ± 8 | mV |
| V_{HYS} | Hysteresis | $V_S = 1.8\text{ V and }5\text{ V}$, $V_{CM} = V_S / 2$ | 3 | 10 | 25 | mV |
| V_{CM} | Common-mode voltage range | | V_{EE} | | $V_{CC} + 0.1$ | V |
| I_B | Input bias current | | | 2 | | pA |
| I_{OS} | Input offset current | | | 1 | | pA |
| V_{OH} | Output voltage high (for TLV7032 only) | $V_S = 5\text{ V}$, $V_{EE} = 0\text{ V}$, $I_O = 3\text{ mA}$ | 4.65 | 4.8 | | V |
| V_{OL} | Output voltage low | $V_S = 5\text{ V}$, $V_{EE} = 0\text{ V}$, $I_O = 3\text{ mA}$ | | 250 | 350 | mV |
| I_{LKG} | Open-drain output leakage current (TLV7042 only) | $V_S = 5\text{ V}$, $V_{ID} = +0.1\text{ V}$ (output high), $V_{PULLUP} = V_{CC}$ | | 100 | | pA |
| CMRR | Common-mode rejection ratio | $V_{EE} < V_{CM} < V_{CC}$, $V_S = 5\text{ V}$ | | 73 | | dB |
| PSRR | Power supply rejection ratio | $V_S = 1.8\text{ V to }5\text{ V}$, $V_{CM} = V_S / 2$ | | 77 | | dB |
| I_{SC} | Short-circuit current | $V_S = 5\text{ V}$, sourcing (for TLV7032 only) | | 29 | | mA |
| | | $V_S = 5\text{ V}$, sinking | | 33 | | |
| I_{CC} | Supply current / Channel | $V_S = 1.8\text{ V}$, no load, $V_{ID} = -0.1\text{ V}$ (Output Low) | | 315 | 750 | nA |

6.10 Switching Characteristics (Dual)

Typical values are at $T_A = 25^\circ\text{C}$, $V_S = 5\text{ V}$, $V_{CM} = V_S / 2$; $CL = 15\text{ pF}$, input overdrive = 100 mV (unless otherwise noted).

| PARAMETER | | TEST CONDITIONS | MIN | TYP | MAX | UNIT |
|-----------|--|---|-----|-----|-----|---------------|
| t_{PHL} | Propagation delay time, high to-low (RP = 4.99 k Ω TLV7042 only) ⁽¹⁾ | Midpoint of input to midpoint of output, $V_{OD} = 100\text{ mV}$ | | 3 | | μs |
| t_{PLH} | Propagation delay time, low-to-high (RP = 4.99 k Ω TLV7042 only) ⁽¹⁾ | Midpoint of input to midpoint of output, $V_{OD} = 100\text{ mV}$ | | 3 | | μs |
| t_R | Rise time (TLV7032 only) | Measured from 20% to 80% | | 4.5 | | ns |
| t_F | Fall time | Measured from 20% to 80% | | 4.5 | | ns |
| t_{ON} | Power-up time | During power on, V_{CC} must exceed 1.6V for t_{ON} before the output will reflect the input. | | 200 | | μs |

(1) The lower limit for RP is 650 Ω

顶点光电子商城
<https://www.vertex-icbuy.com/>

6.11 Electrical Characteristics (Quad)

$V_S = 1.8\text{ V to }5\text{ V}$, $V_{CM} = V_S / 2$; minimum and maximum values are at $T_A = -40^\circ\text{C to }+125^\circ\text{C}$ (unless otherwise noted). Typical values are at $T_A = 25^\circ\text{C}$.

| PARAMETER | | TEST CONDITIONS | MIN | TYP | MAX | UNIT |
|-----------|--|--|----------|-----------|----------------|------|
| V_{IO} | Input Offset Voltage | $V_S = 1.8\text{ V and }5\text{ V}$, $V_{CM} = V_S / 2$ | | ± 0.1 | ± 8 | mV |
| V_{HYS} | Hysteresis | $V_S = 1.8\text{ V and }5\text{ V}$, $V_{CM} = V_S / 2$ | 3 | 10 | 25 | mV |
| V_{CM} | Common-mode voltage range | | V_{EE} | | $V_{CC} + 0.1$ | V |
| I_B | Input bias current | | | 2 | | pA |
| I_{OS} | Input offset current | | | 1 | | pA |
| V_{OH} | Output voltage high (for TLV7034 only) | $V_S = 5\text{ V}$, $V_{EE} = 0\text{ V}$, $I_O = 3\text{ mA}$ | 4.65 | 4.8 | | V |
| V_{OL} | Output voltage low | $V_S = 5\text{ V}$, $V_{EE} = 0\text{ V}$, $I_O = 3\text{ mA}$ | | 250 | 350 | mV |
| I_{LKG} | Open-drain output leakage current (TLV7044 only) | $V_S = 5\text{ V}$, $V_{ID} = +0.1\text{ V}$ (output high), $V_{PULLUP} = V_{CC}$ | | 100 | | pA |
| CMRR | Common-mode rejection ratio | $V_{EE} < V_{CM} < V_{CC}$, $V_S = 5\text{ V}$ | | 73 | | dB |
| PSRR | Power supply rejection ratio | $V_S = 1.8\text{ V to }5\text{ V}$, $V_{CM} = V_S / 2$ | | 77 | | dB |
| I_{SC} | Short-circuit current | $V_S = 5\text{ V}$, sourcing (for TLV7034 only) | | 29 | | mA |
| | | $V_S = 5\text{ V}$, sinking | | 33 | | |
| I_{CC} | Supply current / Channel | $V_S = 1.8\text{ V}$, no load, $V_{ID} = -0.1\text{ V}$ (Output Low) | | 315 | 750 | nA |

6.12 Switching Characteristics (Quad)

Typical values are at $T_A = 25^\circ\text{C}$, $V_S = 5\text{ V}$, $V_{CM} = V_S / 2$; $CL = 15\text{ pF}$, input overdrive = 100 mV (unless otherwise noted).

| PARAMETER | | TEST CONDITIONS | MIN | TYP | MAX | UNIT |
|-----------|--|--|-----|-----|-----|---------------|
| t_{PHL} | Propagation delay time, high to-low (RP = 4.99 k Ω TLV7044 only) ⁽¹⁾ | Midpoint of input to midpoint of output, $V_{OD} = 100\text{ mV}$ | | 3 | | μs |
| t_{PLH} | Propagation delay time, low-to high (RP = 4.99 k Ω TLV7044 only) ⁽¹⁾ | Midpoint of input to midpoint of output, $V_{OD} = 100\text{ mV}$ | | 3 | | μs |
| t_R | Rise time (TLV7034 only) | Measured from 20% to 80% | | 4.5 | | ns |
| t_F | Fall time | Measured from 20% to 80% | | 4.5 | | ns |
| t_{ON} | Power-up time | During power on, V_{CC} must exceed 1.6V for t_{ON} before the output will reflect the input.. | | 400 | | μs |

(1) The lower limit for RP is 650 Ω

6.13 Timing Diagrams

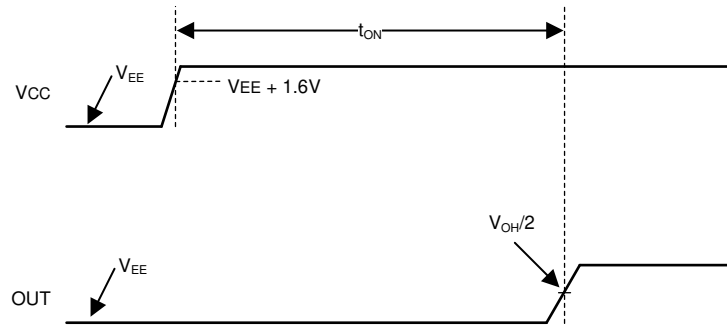


Figure 6-1. Start-Up Time Timing Diagram (IN+ > IN-)

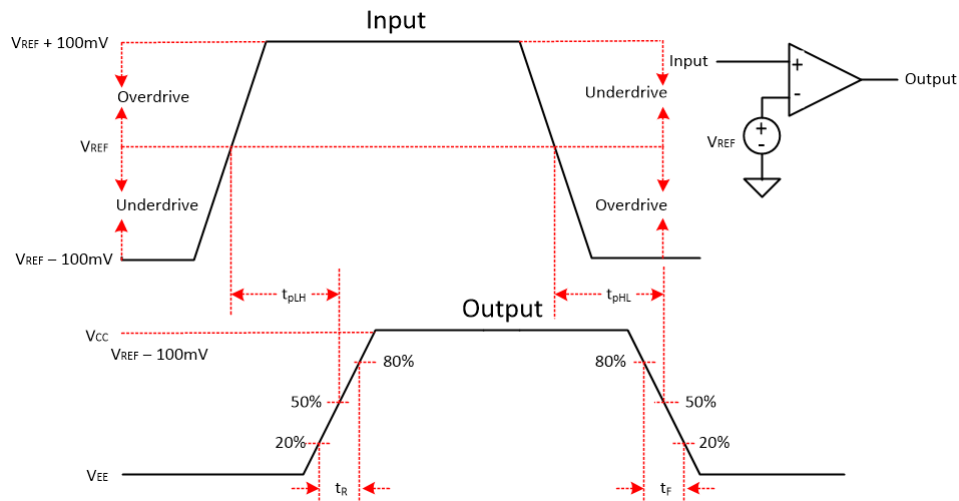


Figure 6-2. Propagation Delay Timing Diagram

Note

The propagation delays t_{pLH} and t_{pHL} include the contribution of input offset and hysteresis.

6.14 Typical Characteristics

$T_A = 25^\circ\text{C}$, $V_{CC} = 5\text{ V}$, $V_{EE} = 0\text{ V}$, $V_{CM} = V_{CC}/2$, $C_L = 15\text{ pF}$

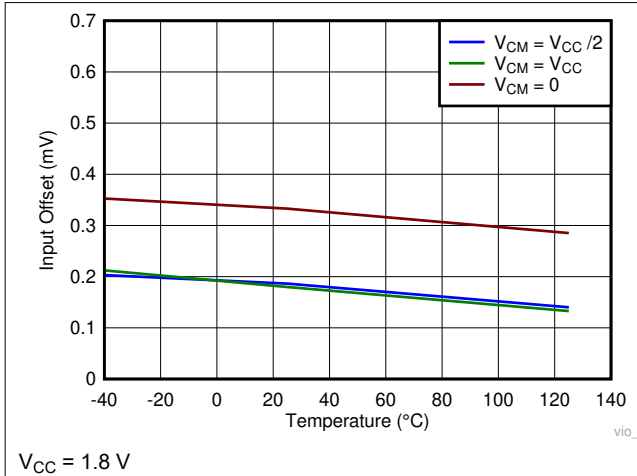


Figure 6-3. Input Offset vs Temperature

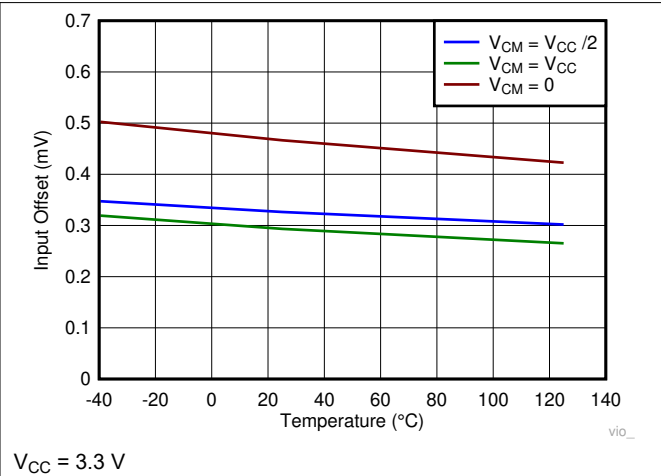


Figure 6-4. Input Offset vs Temperature

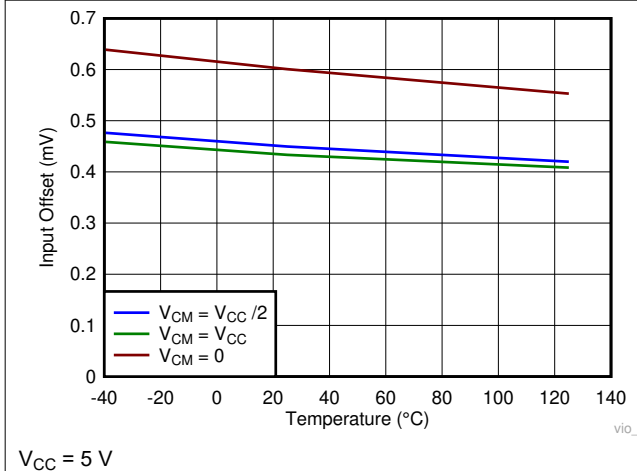


Figure 6-5. Input Offset vs Temperature

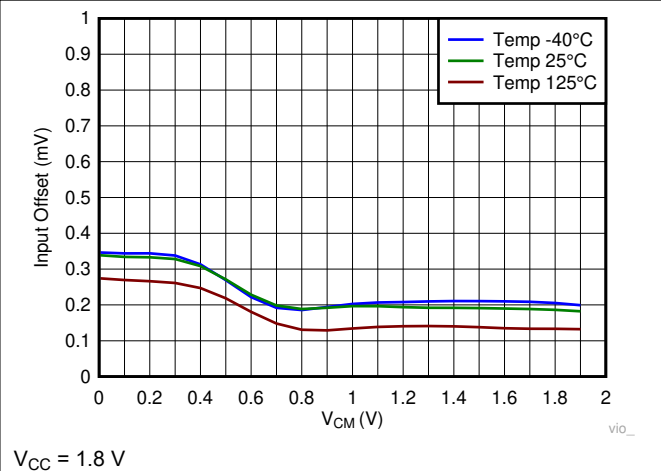


Figure 6-6. Input Offset Voltage vs V_{CM}

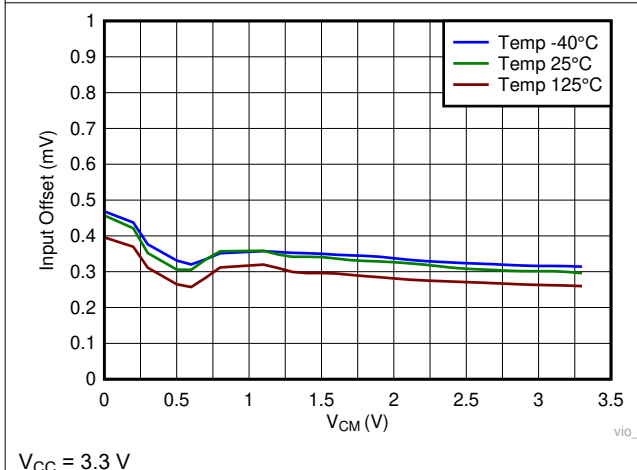


Figure 6-7. Input Offset Voltage vs V_{CM}

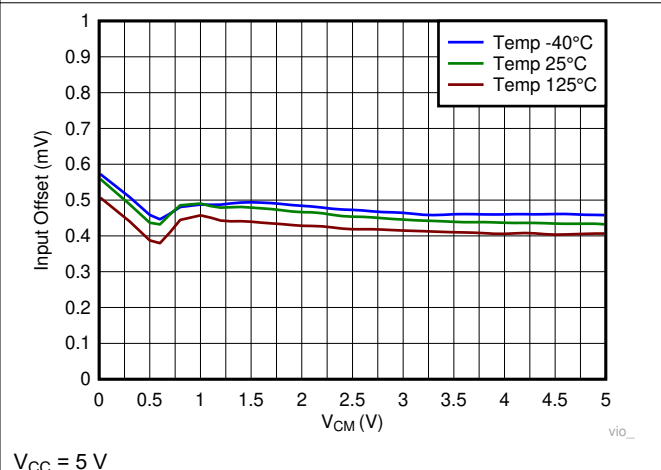


Figure 6-8. Input Offset Voltage vs V_{CM}

顶点光电子商城
<https://www.vertex-icbuy.com/>

6.14 Typical Characteristics (continued)

$T_A = 25^\circ\text{C}$, $V_{CC} = 5\text{ V}$, $V_{EE} = 0\text{ V}$, $V_{CM} = V_{CC}/2$, $C_L = 15\text{ pF}$

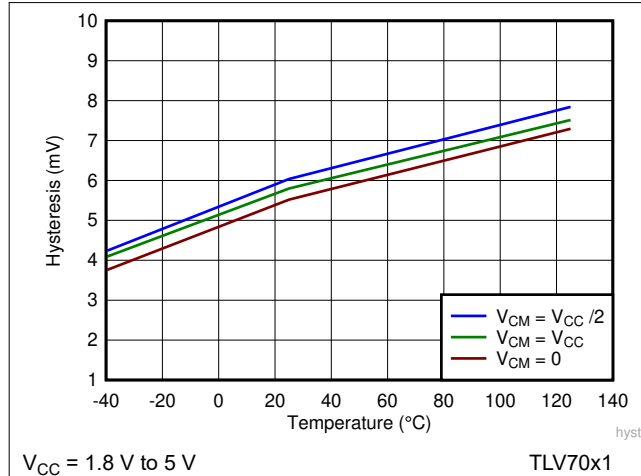


Figure 6-9. Hysteresis vs Temperature

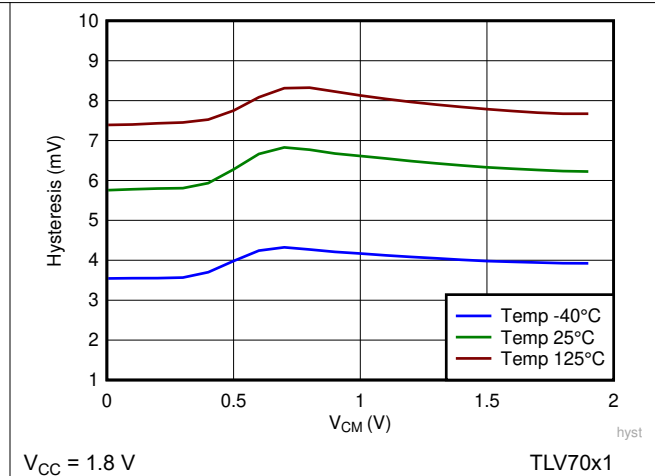


Figure 6-10. Hysteresis vs V_{CM}

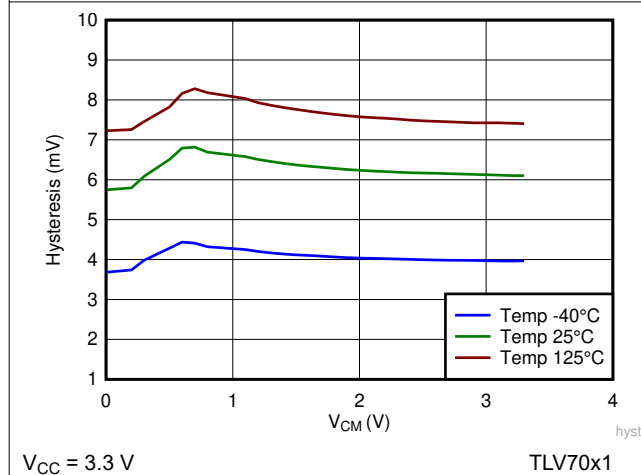


Figure 6-11. Hysteresis vs V_{CM}

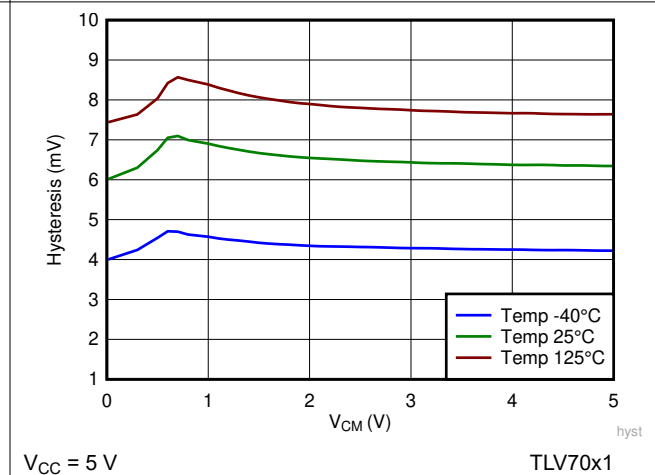


Figure 6-12. Hysteresis vs V_{CM}

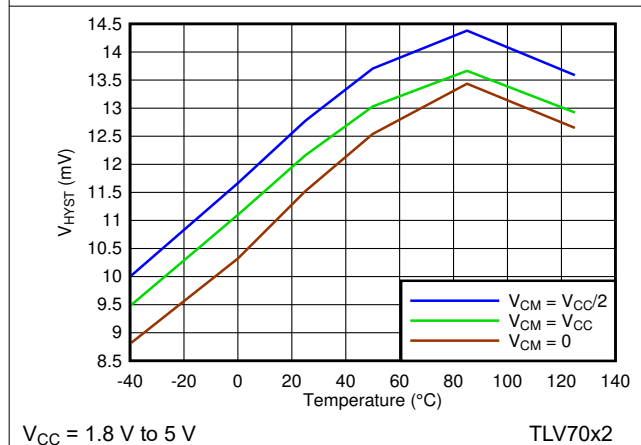


Figure 6-13. Hysteresis vs Temperature

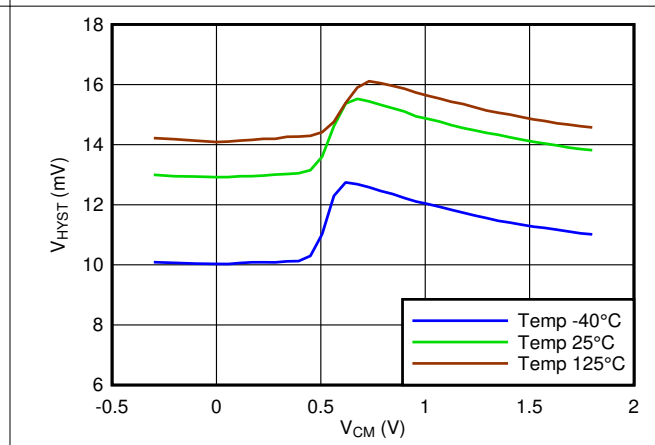


Figure 6-14. Hysteresis vs V_{CM}

顶点光电子商城
<https://www.vertex-icbuy.com/>

6.14 Typical Characteristics (continued)

$T_A = 25^\circ\text{C}$, $V_{CC} = 5\text{ V}$, $V_{EE} = 0\text{ V}$, $V_{CM} = V_{CC}/2$, $C_L = 15\text{ pF}$

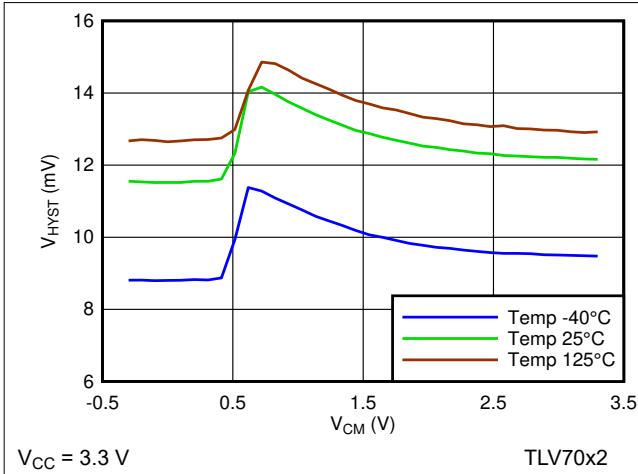


Figure 6-15. Hysteresis vs V_{CM}

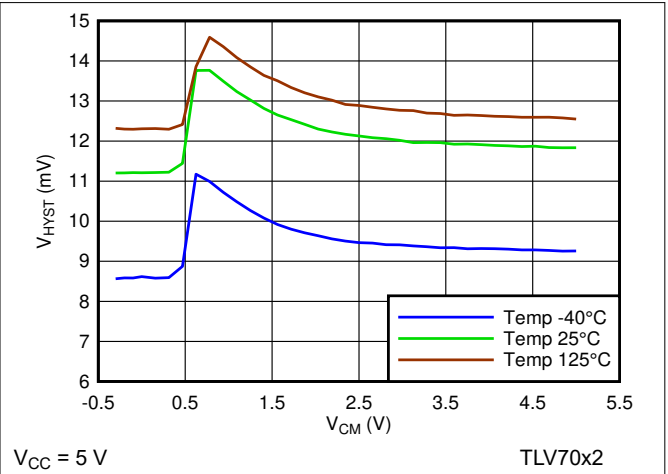


Figure 6-16. Hysteresis vs V_{CM}

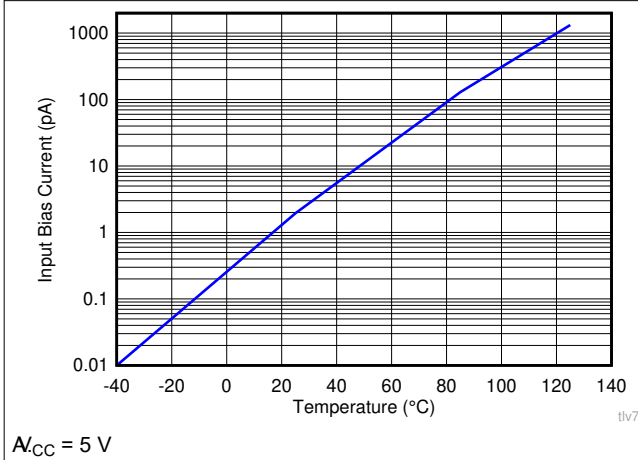


Figure 6-17. Input Bias Current vs Temperature

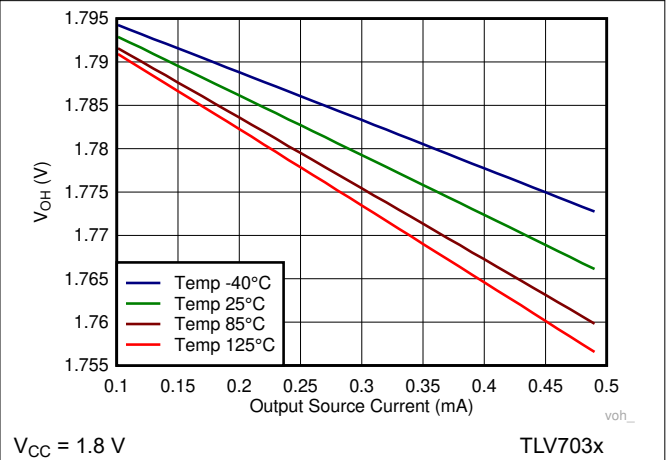


Figure 6-18. Output Voltage High vs Output Source Current

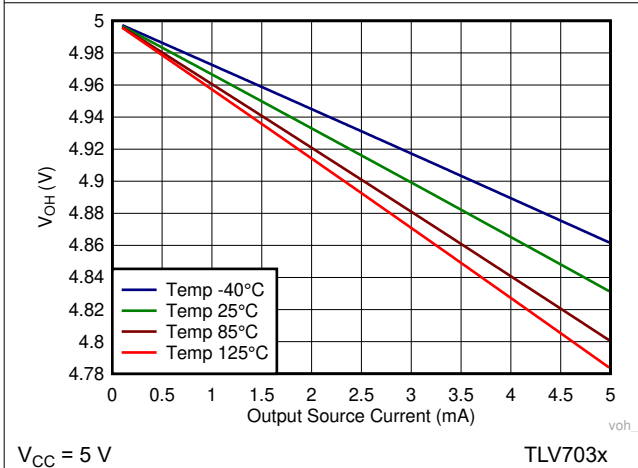


Figure 6-19. Output Voltage High vs Output Source Current

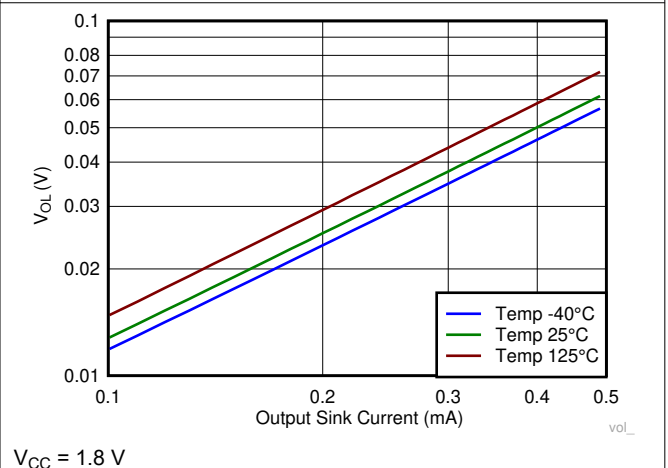
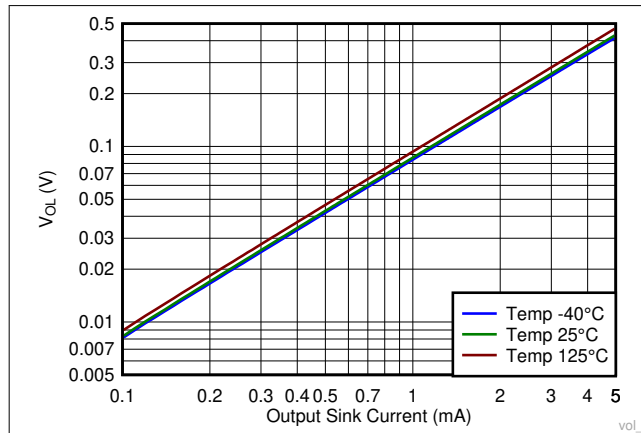


Figure 6-20. Output Voltage Low vs Output Sink Current

顶点光电子商城
<https://www.vertex-icbuy.com/>

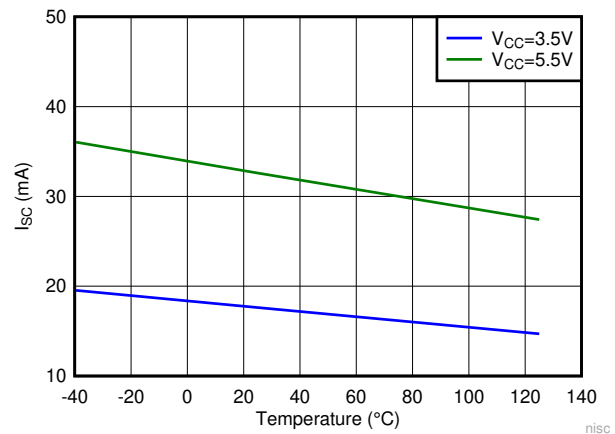
6.14 Typical Characteristics (continued)

$T_A = 25^\circ\text{C}$, $V_{CC} = 5\text{ V}$, $V_{EE} = 0\text{ V}$, $V_{CM} = V_{CC}/2$, $C_L = 15\text{ pF}$



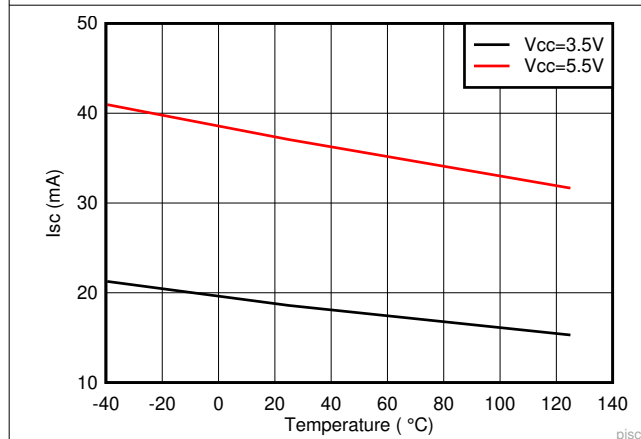
$V_{CC} = 5\text{ V}$

Figure 6-21. Output Voltage Low vs Output Sink Current



$V_{CM} = V_{CC} / 2$

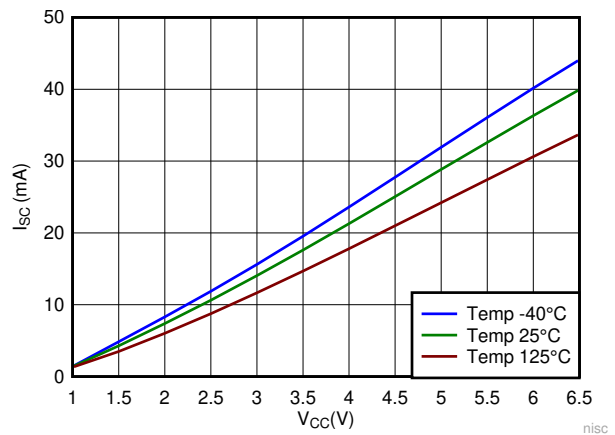
Figure 6-22. Output Short-Circuit (Sink) Current vs Temperature



$V_{CM} = V_{CC} / 2$

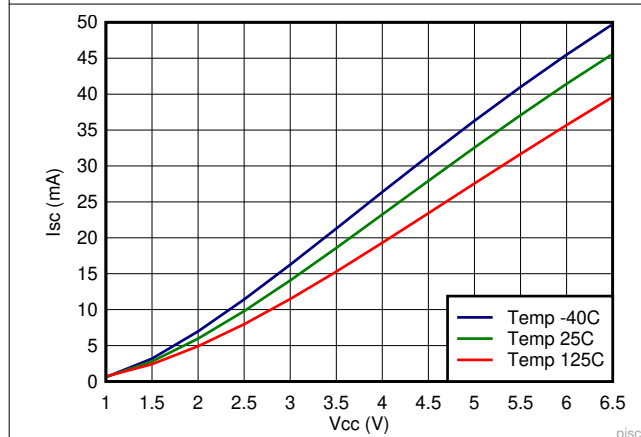
TLV703x

Figure 6-23. Output Short-Circuit (Source) Current vs Temperature



$V_{CM} = V_{CC} / 2$

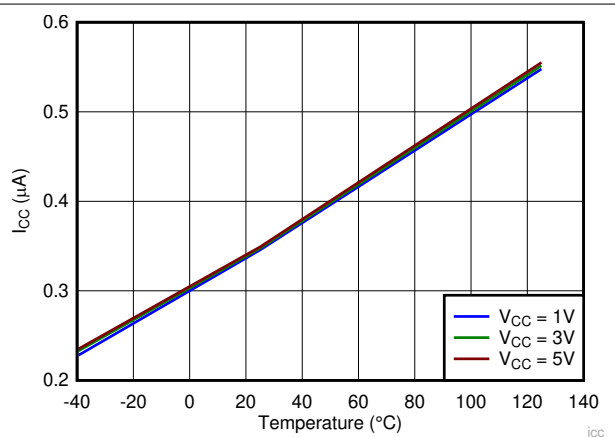
Figure 6-24. Output Short Circuit (Sink) vs V_{CC}



$V_{CM} = V_{CC} / 2$

TLV703x

Figure 6-25. Output Short Circuit (Source) vs V_{CC}



$V_{CM} = V_{CC} / 2$

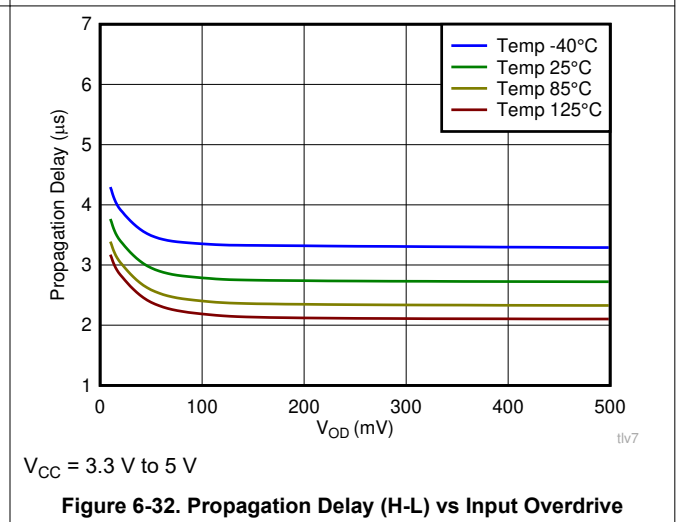
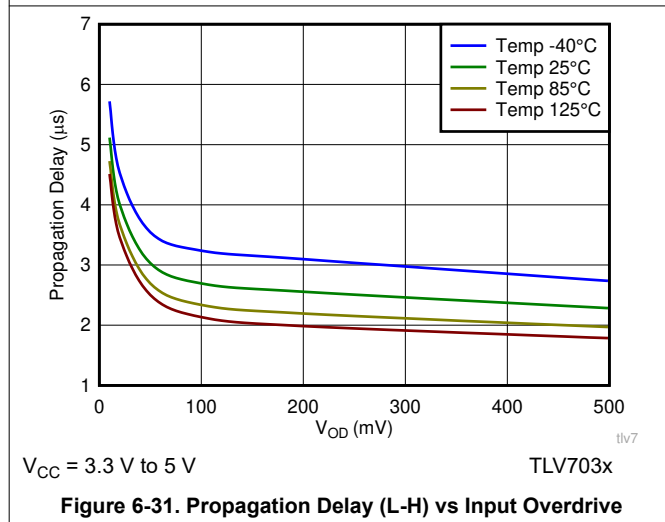
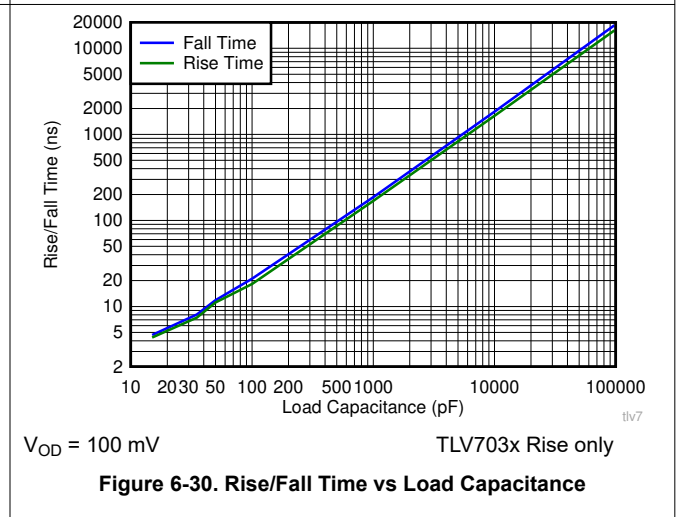
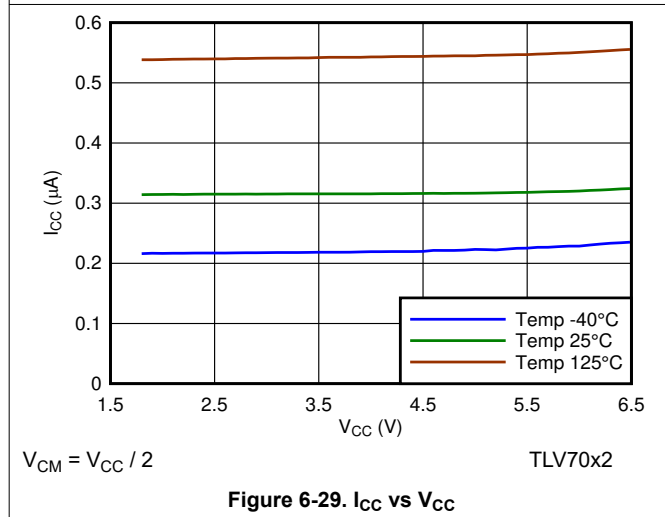
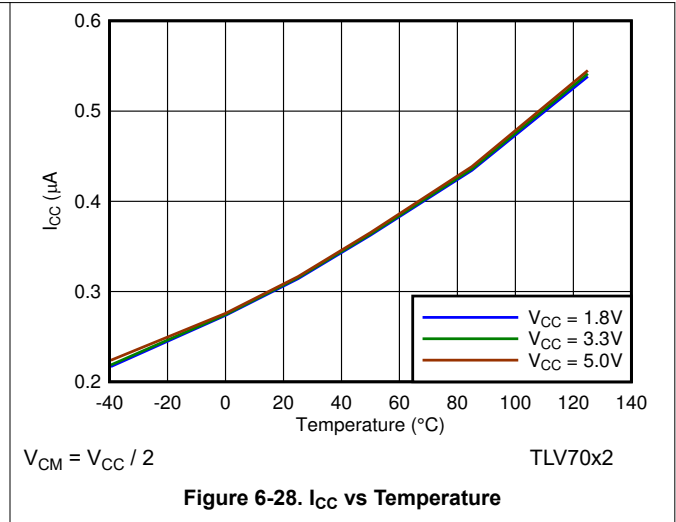
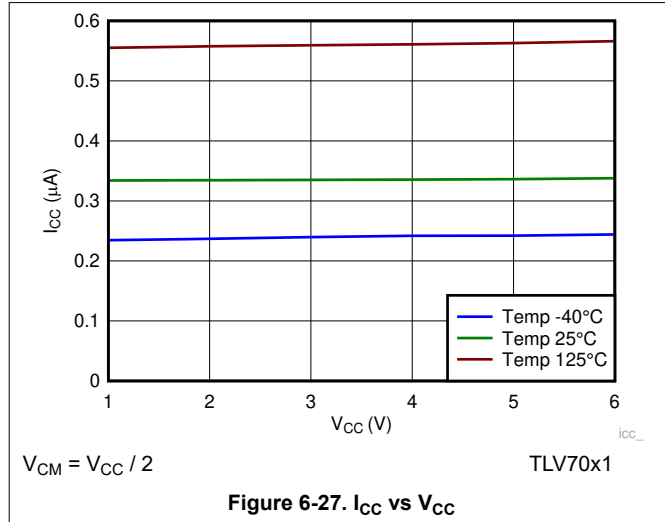
TLV70x1

Figure 6-26. I_{CC} vs Temperature

顶点光电子商城
<https://www.vertex-icbuy.com/>

6.14 Typical Characteristics (continued)

$T_A = 25^\circ\text{C}$, $V_{CC} = 5\text{ V}$, $V_{EE} = 0\text{ V}$, $V_{CM} = V_{CC}/2$, $C_L = 15\text{ pF}$



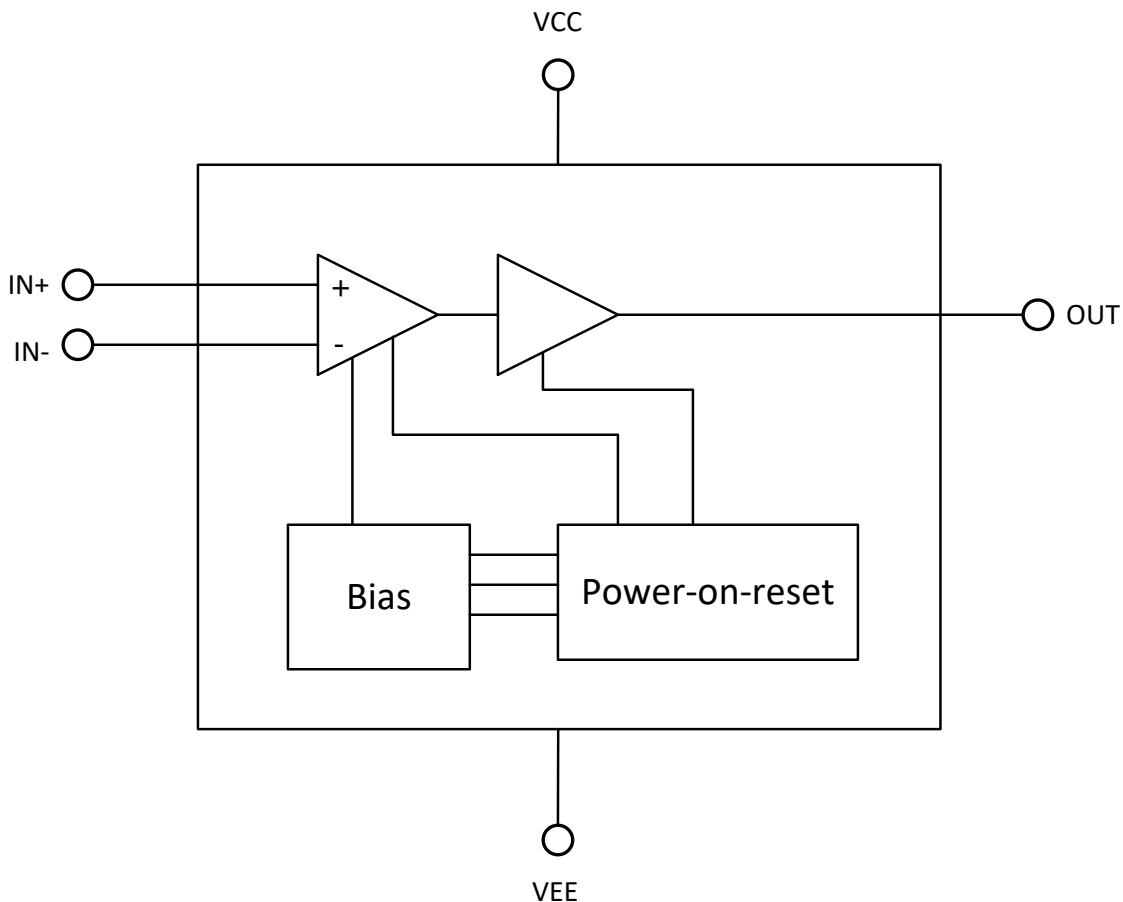
顶点光电子商城
<https://www.vertex-icbuy.com/>

7 Detailed Description

7.1 Overview

The TLV703x and TLV704x are nano-power comparators with push-pull and open-drain outputs. Operating from 1.6 V to 6.5 V and consuming only 315 nA, the TLV703x and TLV704x are designed for portable and industrial applications. The TLV703x and TLV704x are available in a variety of leadless and leaded packages to offer significant board space saving in space-challenged designs.

7.2 Functional Block Diagram



7.3 Feature Description

The TLV703x and TLV704x devices are nanoPower comparators that are capable of operating at low voltages. The TLV703x and TLV704x feature a rail-to-rail input stage capable of operating up to 100 mV beyond the VCC power supply rail. The TLV703x (push-pull) and TLV704x (open-drain) also feature internal hysteresis.

7.4 Device Functional Modes

The TLV703x and TLV704x have a power-on-reset (POR) circuit. While the power supply (V_S) is less than the minimum supply voltage, either upon ramp-up or ramp-down, the POR circuitry is activated.

For the TLV703x, the POR circuit holds the output low (at V_{EE}) while activated.

For the TLV704x, the POR circuit keeps the output high impedance (logical high) while activated.

When the supply voltage is greater than, or equal to, the minimum supply voltage, the comparator output reflects the state of the differential input (V_{ID}).

顶点光电子商城
<https://www.vertex-icbuy.com/>

7.4.1 Inputs

The TLV703x and TLV704x input common-mode extends from V_{EE} to 100 mV above V_{CC} . The differential input voltage (V_{ID}) can be any voltage within these limits. No phase inversion of the comparator output occurs when the input pins exceed V_{CC} and V_{EE} .

The input of TLV703x and TLV704x is fault tolerant. It maintains the same high input impedance when V_{CC} is unpowered or ramping up. The input can be safely driven up to the specified maximum voltage (7 V) with $V_{CC} = 0$ V or any value up to the maximum specified. The V_{CC} is isolated from the input such that it maintains its value even when a higher voltage is applied to the input.

The input bias current is typically 1 pA for input voltages between V_{CC} and V_{EE} . The comparator inputs are protected from voltages below V_{EE} by internal diodes connected to V_{EE} . As the input voltage goes under V_{EE} , the protection diodes become forward biased and begin to conduct causing the input bias current to increase exponentially. Input bias current typically doubles every 10°C temperature increases.

7.4.2 Internal Hysteresis

The device hysteresis transfer curve is shown in Figure 7-1. This curve is a function of three components: V_{TH} , V_{OS} , and V_{HYST} :

- V_{TH} is the actual set voltage or threshold trip voltage.
- V_{OS} is the internal offset voltage between V_{IN+} and V_{IN-} . This voltage is added to V_{TH} to form the actual trip point at which the comparator must respond to change output states.
- V_{HYST} is the internal hysteresis (or trip window) that is designed to reduce comparator sensitivity to noise (7 mV for both TLV703x and TLV704x).

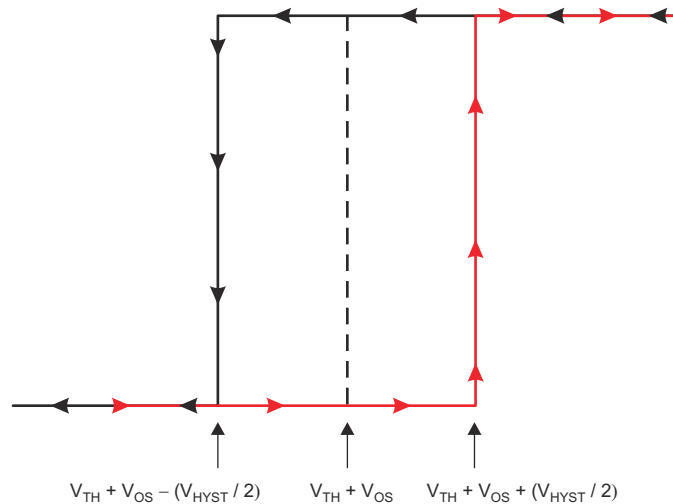


Figure 7-1. Hysteresis Transfer Curve

7.4.3 Output

The TLV703x features a push-pull output stage eliminating the need for an external pullup resistor. On the other hand, the TLV704x features an open-drain output stage enabling the output logic levels to be pulled up to an external source up to 6.5 V independent of the supply voltage.

顶点光电子商城
<https://www.vertex-icbuy.com/>

8 Application and Implementation

Note

Information in the following applications sections is not part of the TI component specification, and TI does not warrant its accuracy or completeness. TI's customers are responsible for determining suitability of components for their purposes, as well as validating and testing their design implementation to confirm system functionality.

8.1 Application Information

The TLV703x and TLV704x are nano-power comparators with reasonable response time. The comparators have a rail-to-rail input stage that can monitor signals beyond the positive supply rail with integrated hysteresis. When higher levels of hysteresis are required, positive feedback can be externally added. The push-pull output stage of the TLV703x is optimal for reduced power budget applications and features no shoot-through current. When level shifting or wire-ORing of the comparator outputs is needed, the TLV704x with its open-drain output stage is well suited to meet the system needs. In either case, the wide operating voltage range, low quiescent current, and small size of the TLV703x and TLV704x make these comparators excellent candidates for battery-operated and portable, handheld designs.

8.1.1 Inverting Comparator With Hysteresis for TLV703x

The inverting comparator with hysteresis requires a three-resistor network that is referenced to the comparator supply voltage (V_{CC}), as shown in [Figure 8-1](#). When V_{IN} at the inverting input is less than V_A , the output voltage is high (for simplicity, assume V_O switches as high as V_{CC}). The three network resistors can be represented as $R1 \parallel R3$ in series with $R2$. [Equation 1](#) defines the high-to-low trip voltage (V_{A1}).

$$V_{A1} = V_{CC} \times \frac{R2}{(R1 \parallel R3) + R2} \quad (1)$$

When V_{IN} is greater than V_A , the output voltage is low, very close to ground. In this case, the three network resistors can be presented as $R2 \parallel R3$ in series with $R1$. Use [Equation 2](#) to define the low to high trip voltage (V_{A2}).

$$V_{A2} = V_{CC} \times \frac{R2 \parallel R3}{R1 + (R2 \parallel R3)} \quad (2)$$

[Equation 3](#) defines the total hysteresis provided by the network.

$$\Delta V_A = V_{A1} - V_{A2} \quad (3)$$

顶点光电子商城
<https://www.vertex-icbuy.com/>

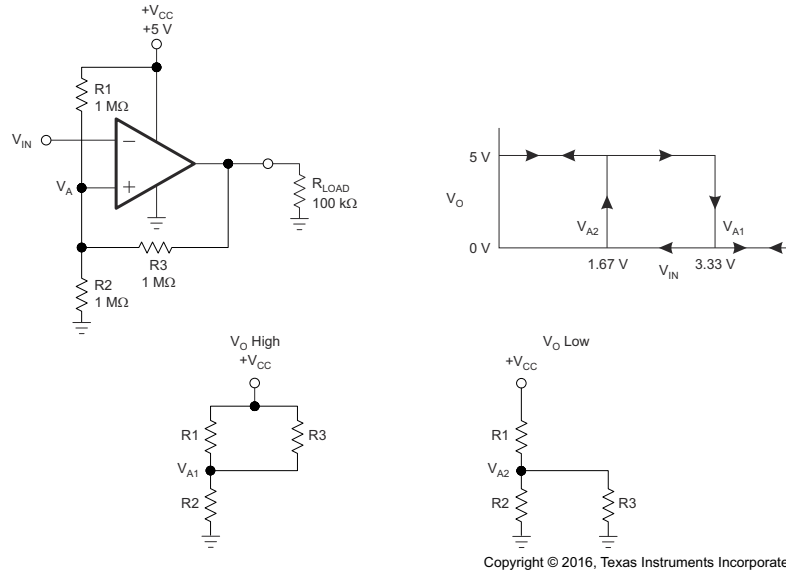


Figure 8-1. TLV703x in an Inverting Configuration With Hysteresis

8.1.2 Noninverting Comparator With Hysteresis for TLV703x

A noninverting comparator with hysteresis requires a two-resistor network, as shown in Figure 8-2, and a voltage reference (V_{REF}) at the inverting input. When V_{IN} is low, the output is also low. For the output to switch from low to high, V_{IN} must rise to V_{IN1} . Use Equation 4 to calculate V_{IN1} .

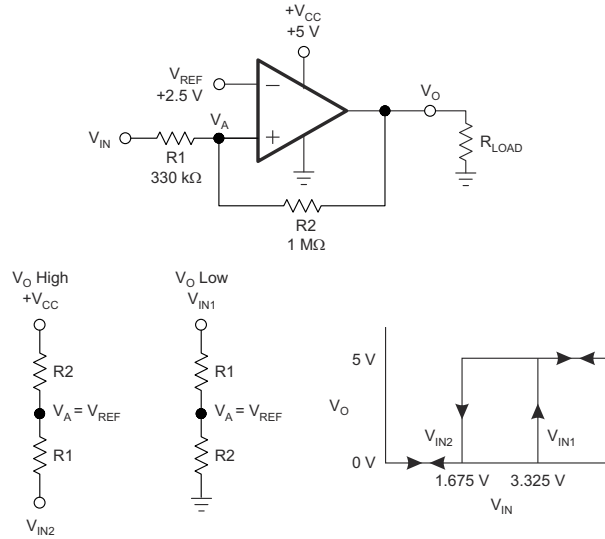
$$V_{IN1} = R1 \times \frac{V_{REF}}{R2} + V_{REF} \tag{4}$$

When V_{IN} is high, the output is also high. For the comparator to switch back to a low state, V_{IN} must drop to V_{IN2} such that V_A is equal to V_{REF} . Use Equation 5 to calculate V_{IN2} .

$$V_{IN2} = \frac{V_{REF} (R1 + R2) - V_{CC} \times R1}{R2} \tag{5}$$

The hysteresis of this circuit is the difference between V_{IN1} and V_{IN2} , as shown in Equation 6.

$$\Delta V_{IN} = V_{CC} \times \frac{R1}{R2} \tag{6}$$



Copyright © 2016, Texas Instruments Incorporated

Figure 8-2. TLV703x in a Noninverting Configuration With Hysteresis

顶点光电子商城
<https://www.vertex-icbuy.com/>

8.2 Typical Applications

8.2.1 Window Comparator

Window comparators are commonly used to detect undervoltage and overvoltage conditions. Figure 8-3 shows a simple window comparator circuit.

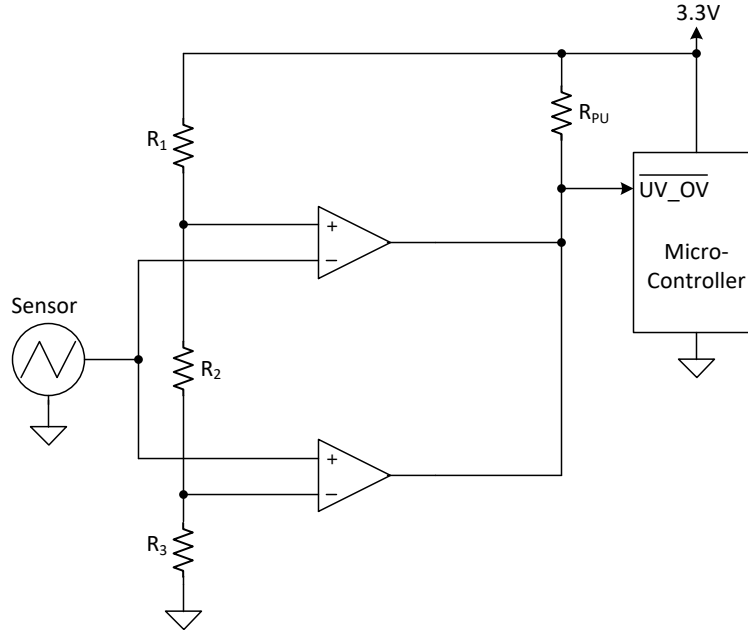


Figure 8-3. TLV704x-Based Window Comparator

8.2.1.1 Design Requirements

For this design, follow these design requirements:

- Alert (logic low output) when an input signal is less than 1.1 V
- Alert (logic low output) when an input signal is greater than 2.2 V
- Alert signal is active low
- Operate from a 3.3-V power supply

8.2.1.2 Detailed Design Procedure

Configure the circuit as shown in Figure 8-3. Connect V_{CC} to a 3.3-V power supply and V_{EE} to ground. Make R_1 , R_2 , and R_3 each 10-M Ω resistors. These three resistors are used to create the positive and negative thresholds for the window comparator (V_{TH+} and V_{TH-}). With each resistor being equal, V_{TH+} is 2.2 V and V_{TH-} is 1.1 V. Large resistor values such as 10 M Ω are used to minimize power consumption. The sensor output voltage is applied to the inverting and noninverting inputs of the two TLV704x devices. The TLV704x is used for its open-drain output configuration. Using the TLV704x allows the two comparator outputs to be wire-ored together. The respective comparator outputs are low when the sensor is less than 1.1 V or greater than 2.2 V. V_{OUT} is high when the sensor is in the range of 1.1 V to 2.2 V.

8.2.1.3 Application Curve

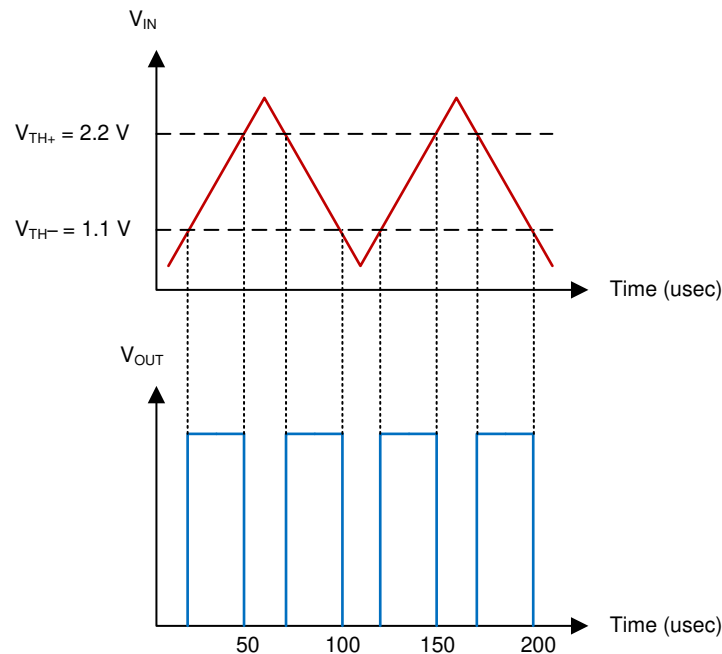
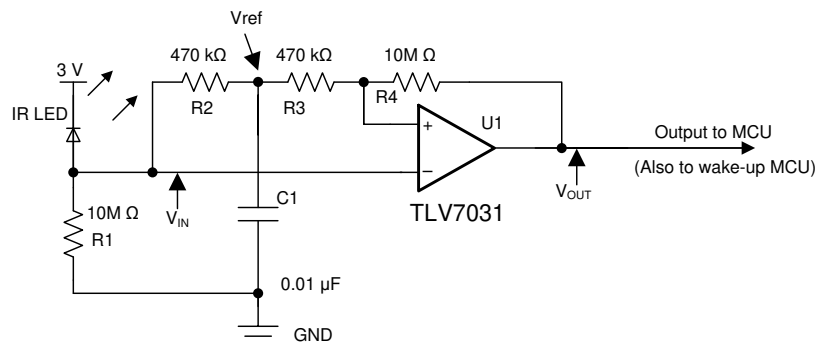


Figure 8-4. Window Comparator Results

8.2.2 IR Receiver Analog Front End

A single TLV703x device can be used to build a complete IR receiver analog front end (AFE). The nanoamp quiescent current and low input bias current make it possible to be powered with a coin cell battery, which could last for years.



Copyright © 2017, Texas Instruments Incorporated

Figure 8-5. IR Receiver Analog Front End Using TLV703x

8.2.2.1 Design Requirements

For this design, follow these design requirements:

- Use a proper resistor (R_1) value to generate an adequate signal amplitude applied to the inverting input of the comparator.
- The low input bias current I_B (2 pA typical) ensures that a greater value of R_1 to be used.
- The RC constant value (R_2 and C_1) must support the targeted data rate (that is, 9,600 bauds) in order to maintain a valid tripping threshold.
- The hysteresis introduced with R_3 and R_4 helps to avoid spurious output toggles.

顶点光电子商城
<https://www.vertex-icbuy.com/>

8.2.2.2 Detailed Design Procedure

The IR receiver AFE design is highly streamlined and optimized. R_1 converts the IR light energy induced current into voltage and applies to the inverting input of the comparator. The RC network of R_2 and C_1 establishes a reference voltage V_{ref} , which tracks the mean amplitude of the IR signal. The noninverting input is directly connected to V_{ref} through R_3 . R_3 and R_4 are used to produce a hysteresis to keep transitions free of spurious toggles. To reduce the current drain from the coin cell battery, data transmission must be short and infrequent.

More technical details are provided in the TI TechNote [Low Power Comparator for Signal Processing and Wake-Up Circuit in Smart Meters](#) (SNVA808).

8.2.2.3 Application Curve

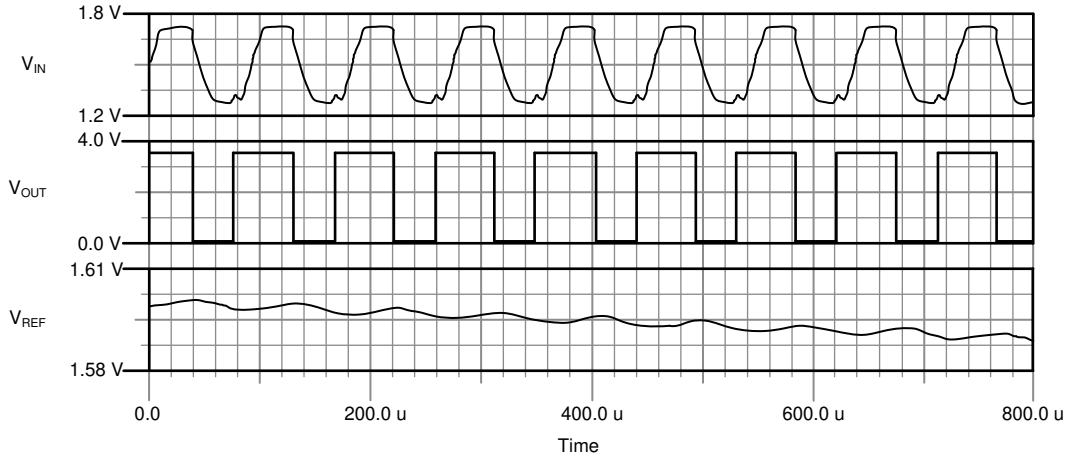


Figure 8-6. IR Receiver AFE Waveforms

顶点光电子商城
<https://www.vertex-icbuy.com/>

8.2.3 Square-Wave Oscillator

A square-wave oscillator can be used as low-cost timing reference or system supervisory clock source.

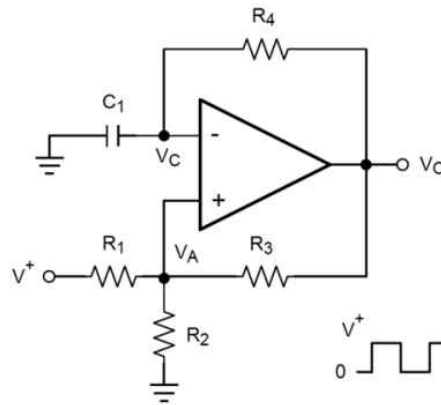


Figure 8-7. Square-Wave Oscillator

8.2.3.1 Design Requirements

The square-wave period is determined by the RC time constant of the capacitor and resistor. The maximum frequency is limited by the propagation delay of the device and the capacitance load at the output. The low input bias current allows a lower capacitor value and larger resistor value combination for a given oscillator frequency, which may help reduce BOM cost and board space.

8.2.3.2 Detailed Design Procedure

The oscillation frequency is determined by the resistor and capacitor values. The following section provides details to calculate these component values.

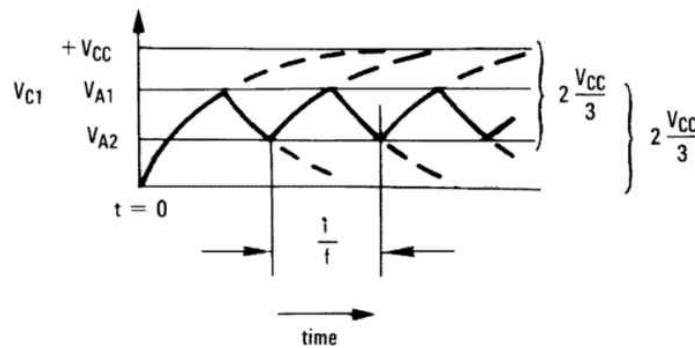


Figure 8-8. Square-Wave Oscillator Timing Thresholds

First consider the output of figure Figure 8-7 is high, which indicates the inverted input V_C is lower than the noninverting input (V_A). This causes the C_1 to be charged through R_4 , and the voltage V_C increases until it is equal to the noninverting input. The value of V_A at the point is calculated by Equation 7.

$$V_{A1} = \frac{V_{CC} \times R_2}{R_2 + R_1 + R_3} \quad (7)$$

If $R_1 = R_2 = R_3$, then $V_{A1} = 2 V_{CC} / 3$

顶点光电子商城
<https://www.vertex-icbuy.com/>

At this time the comparator output trips pulling down the output to the negative rail. The value of V_A at this point is calculated by Equation 8.

$$V_{A2} = \frac{V_{CC}(R_2 \parallel R_3)}{R_1 + R_2 \parallel R_3} \quad (8)$$

If $R_1 = R_2 = R_3$, then $V_{A2} = V_{CC}/3$

The C_1 now discharges through the R_4 , and the voltage V_{CC} decreases until it reaches V_{A2} . At this point, the output switches back to the starting state. The oscillation period equals the time duration from $2 V_{CC} / 3$ to $V_{CC} / 3$ then back to $2 V_{CC} / 3$, which is given by $R_4 C_1 \times \ln 2$ for each trip. Therefore, the total time duration is calculated as $2 R_4 C_1 \times \ln 2$. The oscillation frequency can be obtained by Equation 9:

$$f = 1 / (2 R_4 \times C_1 \times \ln 2) \quad (9)$$

8.2.3.3 Application Curve

Figure 8-9 shows the simulated results of an oscillator using the following component values:

- $R_1 = R_2 = R_3 = R_4 = 100 \text{ k}\Omega$
- $C_1 = 100 \text{ pF}$, $C_L = 20 \text{ pF}$
- $V_+ = 5 \text{ V}$, $V_- = \text{GND}$
- C_{stray} (not shown) from V_A to $\text{GND} = 10 \text{ pF}$

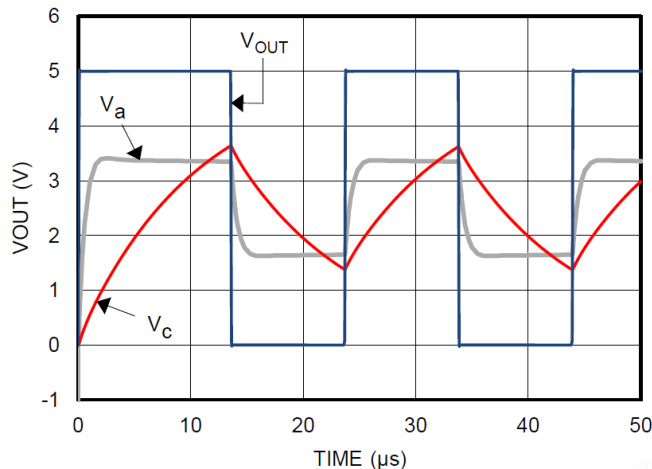


Figure 8-9. Square-Wave Oscillator Output Waveform

8.2.4 Quadrature Rotary Encoder

A quadrature encoder for rotary motors/shafts utilizing a Tunneling Magnetoresistance (TMR) Rotation Sensor can track the position of the motor shaft even when power is turned off, while the TLV7032 provides additional hysteresis to prevent unwanted output toggling between quadrants. The TLV7032 can be used with other sensing techniques as well, such as optical, capacitive, or inductive.

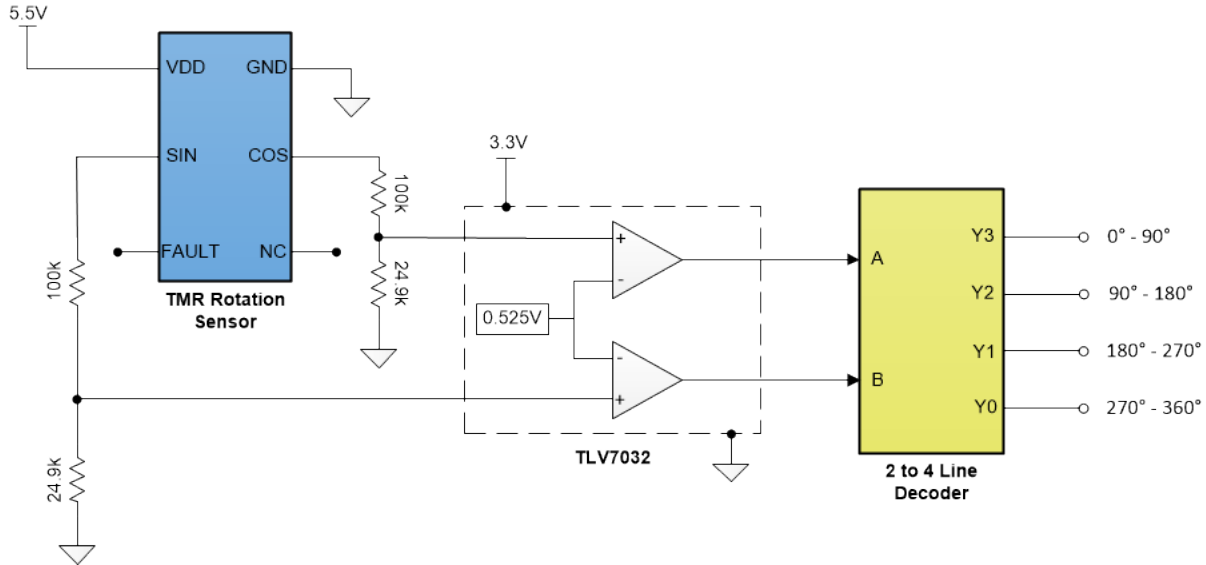


Figure 8-10. Quadrant Encoder Detector

8.2.4.1 Design Requirements

TMR Rotation Sensors general have two digital, binary outputs that are 90 degrees out of phase. The TLV7032 can be used to provide additional hysteresis to ensure there isn't any unwanted toggling of the output when the sensors are between the transition points of two quadrants. The TLV7032 already provides 10mV of typical internal hysteresis. By dividing down the output voltage from the rotation sensor using a voltage divider, the internal hysteresis will be scaled up by the same voltage divider ratio.

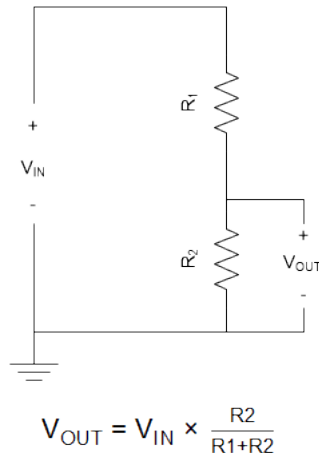


Figure 8-11. Voltage Divider Equation

顶点光电子商城
<https://www.vertex-icbuy.com/>

8.2.4.2 Detailed Design Procedure

First, choose a target range of hysteresis to achieve. For this design example, 50mV of hysteresis will be the target. Since the TLV7032 already has 10mV (typ) of internal hysteresis, the voltage output from the TMR Rotation Sensor should be scaled down by a factor of 5. This way, the 10mV of internal hysteresis gets scaled up by a factor of 5, resulting in 50mV of hysteresis. The minimum output HIGH level for the TMR Rotation Sensor used in Figure 47 is 5.25 V. Since 5.25V will be the minimum output high value, it can be used to substitute V_{IN} from the Voltage Divider Equation in Figure 48. Since the voltage from the TMR rotation sensor needs to be scaled down by a factor of 5, the equation in Figure 48 can be rewritten as:

$$\frac{1}{5} = \frac{R_2}{R_1 + R_2}$$

The above equation can be solved for using standard resistor values, where $R_1 = 100k\Omega$, and $R_2 = 24.9k\Omega$. The minimum voltage seen at the noninverting pins of the comparator when the output is HIGH will be 1.05V. To make the device transition at 50% output high level, the inverting pins of the TLV7032 should be tied to a 0.525V reference.

8.2.4.3 Application Curve

Figure 49 shows the TLV7032 achieving approximately 50mV of hysteresis using the following component values:

- $R_1 = 100k\Omega$
- $R_2 = 24.9k\Omega$
- $V_{REF} (IN-) = 0.525V$

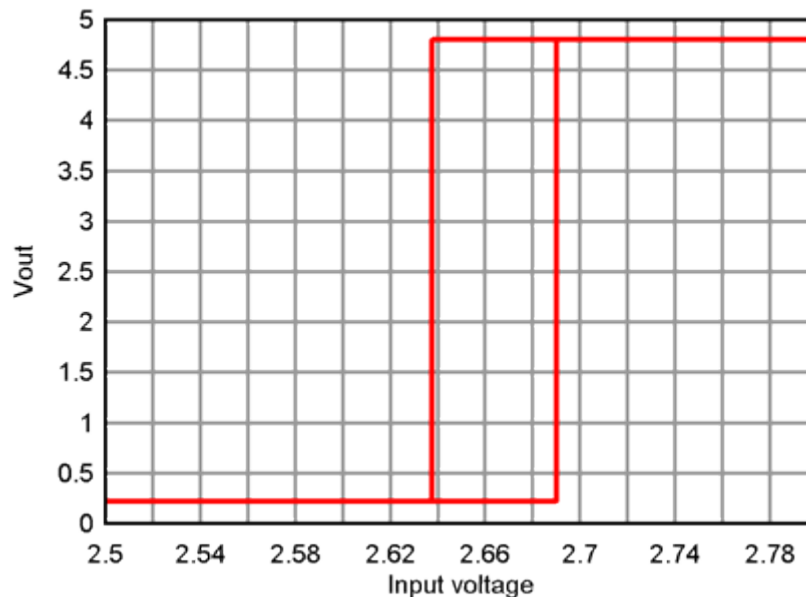


Figure 8-12. DC Input Voltage Sweep

顶点光电子商城
<https://www.vertex-icbuy.com/>

9 Power Supply Recommendations

The TLV703x and TLV704x have a recommended operating voltage range (V_S) of 1.6 V to 6.5 V. V_S is defined as $V_{CC} - V_{EE}$. Therefore, the supply voltages used to create V_S can be single-ended or bipolar. For example, single-ended supply voltages of 5 V and 0 V and bipolar supply voltages of +2.5 V and –2.5 V create comparable operating voltages for V_S . However, when bipolar supply voltages are used, it is important to realize that the logic low level of the comparator output is referenced to V_{EE} .

Output capacitive loading and output toggle rate will cause the average supply current to rise over the quiescent current.

顶点光电子商城
<https://www.vertex-icbuy.com/>

10 Layout

10.1 Layout Guidelines

To reduce PCB fabrication cost and improve reliability, TI recommends using a 4-mil via at the center pad connected to the ground trace or plane on the bottom layer.

TI recommends a power-supply bypass capacitor of 100 nF when supply output impedance is high, supply traces are long, or when excessive noise is expected on the supply lines. Bypass capacitors are also recommended when the comparator output drives a long trace or is required to drive a capacitive load. Due to the fast rising and falling edge rates and high-output sink and source capability of the TLV703x and TLV704x output stages, higher than normal quiescent current can be drawn from the power supply. Under this circumstance, the system would benefit from a bypass capacitor across the supply pins.

10.2 Layout Example

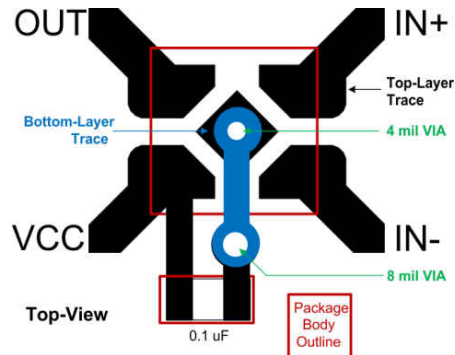


Figure 10-1. Layout Example

The application report [Designing and Manufacturing With TI's X2SON Packages](#) (SCEA055) helps PCB designers to achieve optimal designs.

11 Device and Documentation Support

11.1 Device Support

11.1.1 Development Support

11.1.1.1 Evaluation Module

An evaluation module (EVM) is available to assist in the initial circuit performance evaluation using the TLV70x1 device family. The [TLV7011 Micro-Power Comparator Dip Adaptor Evaluation Module](#) can be requested at the Texas Instruments website through the product folder or purchased directly from the TI eStore.

11.2 Documentation Support

11.2.1 Related Documentation

For related documentation, see the following:

- [Designing and Manufacturing With TI's X2SON Packages](#) (SCEA055)
- [Low Power Comparator for Signal Processing and Wake-Up Circuit in Smart Meters](#) (SNVA808)

11.3 Receiving Notification of Documentation Updates

To receive notification of documentation updates, navigate to the device product folder on ti.com. In the upper right corner, click on *Alert me* to register and receive a weekly digest of any product information that has changed. For change details, review the revision history included in any revised document.

11.4 Support Resources

[TI E2E™ support forums](#) are an engineer's go-to source for fast, verified answers and design help — straight from the experts. Search existing answers or ask your own question to get the quick design help you need.

Linked content is provided "AS IS" by the respective contributors. They do not constitute TI specifications and do not necessarily reflect TI's views; see TI's [Terms of Use](#).

11.5 Trademarks

TI E2E™ is a trademark of Texas Instruments.

All trademarks are the property of their respective owners.

11.6 Electrostatic Discharge Caution



This integrated circuit can be damaged by ESD. Texas Instruments recommends that all integrated circuits be handled with appropriate precautions. Failure to observe proper handling and installation procedures can cause damage.

ESD damage can range from subtle performance degradation to complete device failure. Precision integrated circuits may be more susceptible to damage because very small parametric changes could cause the device not to meet its published specifications.

11.7 Glossary

[TI Glossary](#) This glossary lists and explains terms, acronyms, and definitions.

12 Mechanical, Packaging, and Orderable Information

The following pages include mechanical, packaging, and orderable information. This information is the most current data available for the designated devices. This data is subject to change without notice and revision of this document. For browser-based versions of this data sheet, refer to the left-hand navigation.

顶点光电子商城
<https://www.vertex-icbuy.com/>

PACKAGING INFORMATION

| Orderable Device | Status (1) | Package Type | Package Drawing | Pins | Package Qty | Eco Plan (2) | Lead finish/ Ball material (6) | MSL Peak Temp (3) | Op Temp (°C) | Device Marking (4/5) | Samples |
|------------------|---------------|--------------|-----------------|------|-------------|-----------------|--------------------------------------|----------------------|--------------|-------------------------|-------------------------|
| TLV7031DBVR | ACTIVE | SOT-23 | DBV | 5 | 3000 | RoHS & Green | NIPDAUAG | Level-1-260C-UNLIM | -40 to 125 | 11E2 | Samples |
| TLV7031DCKR | ACTIVE | SC70 | DCK | 5 | 3000 | RoHS & Green | NIPDAU | Level-2-260C-1 YEAR | -40 to 125 | 19P | Samples |
| TLV7031DCKT | ACTIVE | SC70 | DCK | 5 | 250 | RoHS & Green | NIPDAU | Level-2-260C-1 YEAR | -40 to 125 | 19P | Samples |
| TLV7031DPWR | ACTIVE | X2SON | DPW | 5 | 3000 | RoHS & Green | NIPDAU | Level-1-260C-UNLIM | -40 to 125 | 7K | Samples |
| TLV7032DDFR | ACTIVE | SOT-23-THIN | DDF | 8 | 3000 | RoHS & Green | NIPDAU | Level-1-260C-UNLIM | -40 to 125 | 22KF | Samples |
| TLV7032DGKR | ACTIVE | VSSOP | DGK | 8 | 2500 | RoHS & Green | NIPDAUAG | Level-1-260C-UNLIM | -40 to 125 | 7032 | Samples |
| TLV7032DSGR | ACTIVE | WSON | DSG | 8 | 3000 | RoHS & Green | NIPDAU | Level-1-260C-UNLIM | -40 to 125 | 1ZXH | Samples |
| TLV7034PWR | ACTIVE | TSSOP | PW | 14 | 2000 | RoHS & Green | NIPDAU | Level-1-260C-UNLIM | -40 to 125 | TLV7034 | Samples |
| TLV7034RTER | ACTIVE | WQFN | RTE | 16 | 3000 | RoHS & Green | NIPDAU | Level-1-260C-UNLIM | -40 to 125 | TL7034 | Samples |
| TLV7041DBVR | ACTIVE | SOT-23 | DBV | 5 | 3000 | RoHS & Green | NIPDAUAG | Level-1-260C-UNLIM | -40 to 125 | 11F2 | Samples |
| TLV7041DCKR | ACTIVE | SC70 | DCK | 5 | 3000 | RoHS & Green | NIPDAU | Level-2-260C-1 YEAR | -40 to 125 | 19Q | Samples |
| TLV7041DCKT | ACTIVE | SC70 | DCK | 5 | 250 | RoHS & Green | NIPDAU | Level-2-260C-1 YEAR | -40 to 125 | 19Q | Samples |
| TLV7041DPWR | ACTIVE | X2SON | DPW | 5 | 3000 | RoHS & Green | NIPDAU | Level-1-260C-UNLIM | -40 to 125 | 7L | Samples |
| TLV7042DDFR | ACTIVE | SOT-23-THIN | DDF | 8 | 3000 | RoHS & Green | NIPDAU | Level-1-260C-UNLIM | -40 to 125 | 22LF | Samples |
| TLV7042DGKR | ACTIVE | VSSOP | DGK | 8 | 2500 | RoHS & Green | NIPDAUAG | Level-1-260C-UNLIM | -40 to 125 | 7042 | Samples |
| TLV7042DSGR | ACTIVE | WSON | DSG | 8 | 3000 | RoHS & Green | NIPDAU | Level-1-260C-UNLIM | -40 to 125 | 1ZZH | Samples |
| TLV7044PWR | ACTIVE | TSSOP | PW | 14 | 2000 | RoHS & Green | NIPDAU | Level-1-260C-UNLIM | -40 to 125 | TLV7044 | Samples |
| TLV7044RTER | ACTIVE | WQFN | RTE | 16 | 3000 | RoHS & Green | NIPDAU | Level-1-260C-UNLIM | -40 to 125 | TL7044 | Samples |

(1) The marketing status values are defined as follows:
ACTIVE: Product device recommended for new designs.
LIFEBUY: TI has announced that the device will be discontinued, and a lifetime-buy period is in effect.

顶点光电子商城
<https://www.vertex-icbuy.com/>

NRND: Not recommended for new designs. Device is in production to support existing customers, but TI does not recommend using this part in a new design.

PREVIEW: Device has been announced but is not in production. Samples may or may not be available.

OBSOLETE: TI has discontinued the production of the device.

⁽²⁾ **RoHS:** TI defines "RoHS" to mean semiconductor products that are compliant with the current EU RoHS requirements for all 10 RoHS substances, including the requirement that RoHS substance do not exceed 0.1% by weight in homogeneous materials. Where designed to be soldered at high temperatures, "RoHS" products are suitable for use in specified lead-free processes. TI may reference these types of products as "Pb-Free".

RoHS Exempt: TI defines "RoHS Exempt" to mean products that contain lead but are compliant with EU RoHS pursuant to a specific EU RoHS exemption.

Green: TI defines "Green" to mean the content of Chlorine (Cl) and Bromine (Br) based flame retardants meet JS709B low halogen requirements of <=1000ppm threshold. Antimony trioxide based flame retardants must also meet the <=1000ppm threshold requirement.

⁽³⁾ MSL, Peak Temp. - The Moisture Sensitivity Level rating according to the JEDEC industry standard classifications, and peak solder temperature.

⁽⁴⁾ There may be additional marking, which relates to the logo, the lot trace code information, or the environmental category on the device.

⁽⁵⁾ Multiple Device Markings will be inside parentheses. Only one Device Marking contained in parentheses and separated by a "~" will appear on a device. If a line is indented then it is a continuation of the previous line and the two combined represent the entire Device Marking for that device.

⁽⁶⁾ Lead finish/Ball material - Orderable Devices may have multiple material finish options. Finish options are separated by a vertical ruled line. Lead finish/Ball material values may wrap to two lines if the finish value exceeds the maximum column width.

Important Information and Disclaimer:The information provided on this page represents TI's knowledge and belief as of the date that it is provided. TI bases its knowledge and belief on information provided by third parties, and makes no representation or warranty as to the accuracy of such information. Efforts are underway to better integrate information from third parties. TI has taken and continues to take reasonable steps to provide representative and accurate information but may not have conducted destructive testing or chemical analysis on incoming materials and chemicals. TI and TI suppliers consider certain information to be proprietary, and thus CAS numbers and other limited information may not be available for release.

In no event shall TI's liability arising out of such information exceed the total purchase price of the TI part(s) at issue in this document sold by TI to Customer on an annual basis.

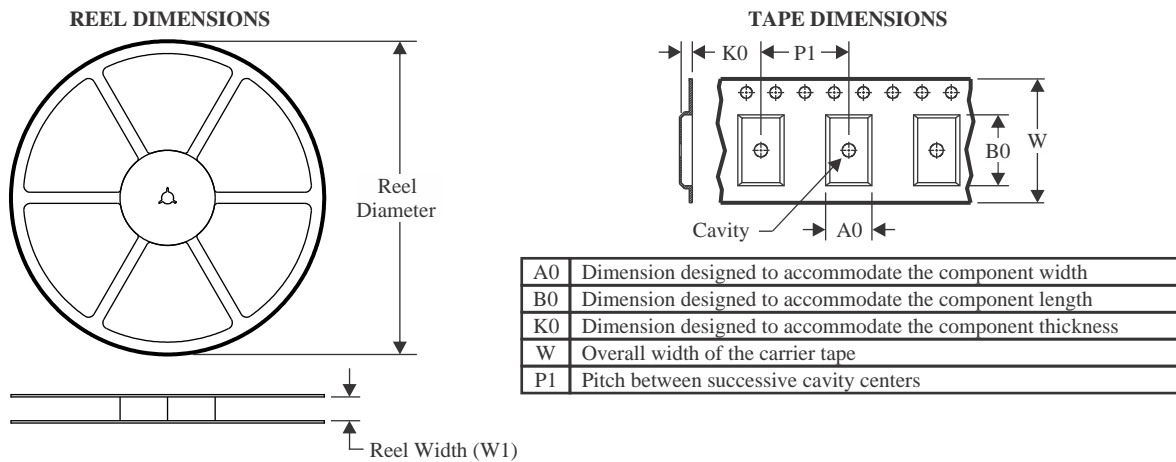
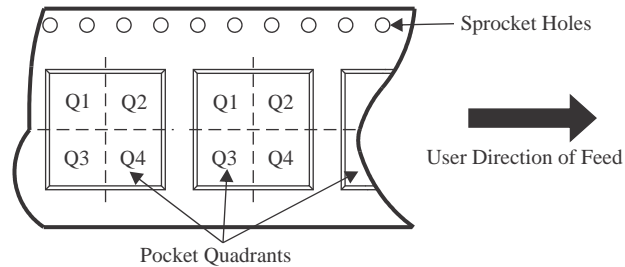
OTHER QUALIFIED VERSIONS OF TLV7031, TLV7034, TLV7041, TLV7044 :

- Automotive : [TLV7031-Q1](#), [TLV7034-Q1](#), [TLV7041-Q1](#), [TLV7044-Q1](#)

NOTE: Qualified Version Definitions:

- Automotive - Q100 devices qualified for high-reliability automotive applications targeting zero defects

顶点光电子商城
<https://www.vertex-icbuy.com/>

TAPE AND REEL INFORMATION

QUADRANT ASSIGNMENTS FOR PIN 1 ORIENTATION IN TAPE


*All dimensions are nominal

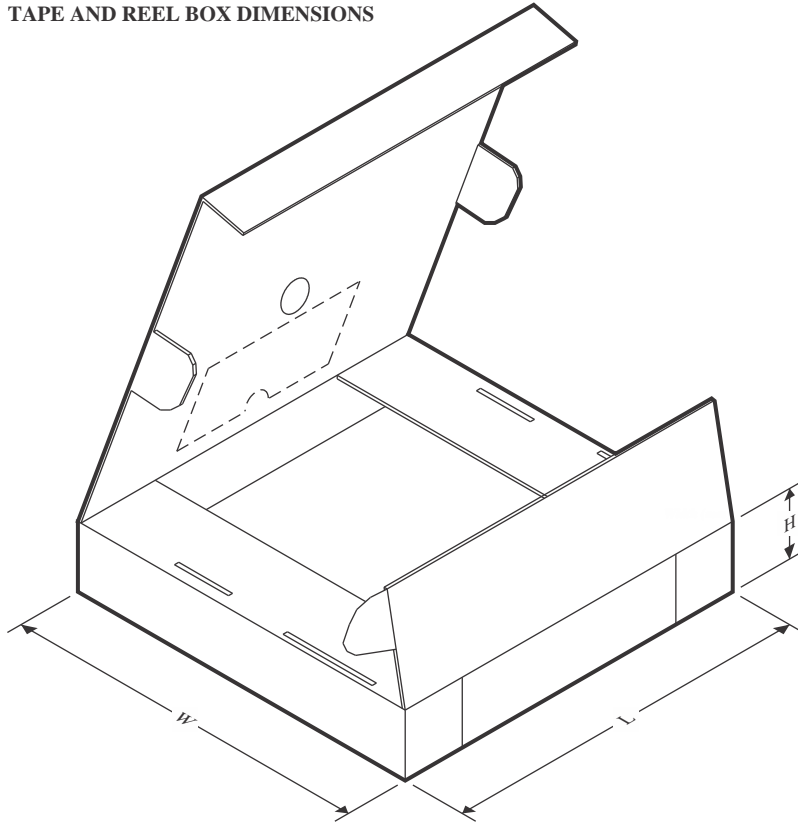
| Device | Package Type | Package Drawing | Pins | SPQ | Reel Diameter (mm) | Reel Width W1 (mm) | A0 (mm) | B0 (mm) | K0 (mm) | P1 (mm) | W (mm) | Pin1 Quadrant |
|-------------|--------------|-----------------|------|------|--------------------|--------------------|---------|---------|---------|---------|--------|---------------|
| TLV7031DBVR | SOT-23 | DBV | 5 | 3000 | 180.0 | 8.4 | 3.23 | 3.17 | 1.37 | 4.0 | 8.0 | Q3 |
| TLV7031DCKR | SC70 | DCK | 5 | 3000 | 178.0 | 9.0 | 2.4 | 2.5 | 1.2 | 4.0 | 8.0 | Q3 |
| TLV7031DCKT | SC70 | DCK | 5 | 250 | 178.0 | 9.0 | 2.4 | 2.5 | 1.2 | 4.0 | 8.0 | Q3 |
| TLV7031DPWR | X2SON | DPW | 5 | 3000 | 178.0 | 8.4 | 0.91 | 0.91 | 0.5 | 2.0 | 8.0 | Q2 |
| TLV7032DDFR | SOT-23-THIN | DDF | 8 | 3000 | 180.0 | 8.4 | 3.2 | 3.2 | 1.4 | 4.0 | 8.0 | Q3 |
| TLV7032DGKR | VSSOP | DGK | 8 | 2500 | 330.0 | 12.4 | 5.3 | 3.4 | 1.4 | 8.0 | 12.0 | Q1 |
| TLV7032DSGR | WSON | DSG | 8 | 3000 | 180.0 | 8.4 | 2.3 | 2.3 | 1.15 | 4.0 | 8.0 | Q2 |
| TLV7034PWR | TSSOP | PW | 14 | 2000 | 330.0 | 12.4 | 6.9 | 5.6 | 1.6 | 8.0 | 12.0 | Q1 |
| TLV7034RTER | WQFN | RTE | 16 | 3000 | 330.0 | 12.4 | 3.3 | 3.3 | 1.1 | 8.0 | 12.0 | Q2 |
| TLV7041DBVR | SOT-23 | DBV | 5 | 3000 | 180.0 | 8.4 | 3.23 | 3.17 | 1.37 | 4.0 | 8.0 | Q3 |
| TLV7041DCKR | SC70 | DCK | 5 | 3000 | 178.0 | 9.0 | 2.4 | 2.5 | 1.2 | 4.0 | 8.0 | Q3 |
| TLV7041DCKT | SC70 | DCK | 5 | 250 | 178.0 | 9.0 | 2.4 | 2.5 | 1.2 | 4.0 | 8.0 | Q3 |
| TLV7041DPWR | X2SON | DPW | 5 | 3000 | 178.0 | 8.4 | 0.91 | 0.91 | 0.5 | 2.0 | 8.0 | Q2 |
| TLV7042DDFR | SOT-23-THIN | DDF | 8 | 3000 | 180.0 | 8.4 | 3.2 | 3.2 | 1.4 | 4.0 | 8.0 | Q3 |
| TLV7042DGKR | VSSOP | DGK | 8 | 2500 | 330.0 | 12.4 | 5.3 | 3.4 | 1.4 | 8.0 | 12.0 | Q1 |

顶点光电子商城
<https://www.vertex-icbuy.com/>

| Device | Package Type | Package Drawing | Pins | SPQ | Reel Diameter (mm) | Reel Width W1 (mm) | A0 (mm) | B0 (mm) | K0 (mm) | P1 (mm) | W (mm) | Pin1 Quadrant |
|-------------|--------------|-----------------|------|------|--------------------|--------------------|---------|---------|---------|---------|--------|---------------|
| TLV7042DSGR | WSON | DSG | 8 | 3000 | 180.0 | 8.4 | 2.3 | 2.3 | 1.15 | 4.0 | 8.0 | Q2 |
| TLV7044PWR | TSSOP | PW | 14 | 2000 | 330.0 | 12.4 | 6.9 | 5.6 | 1.6 | 8.0 | 12.0 | Q1 |
| TLV7044RTER | WQFN | RTE | 16 | 3000 | 330.0 | 12.4 | 3.3 | 3.3 | 1.1 | 8.0 | 12.0 | Q2 |

顶点光电子商城

<https://www.vertex-icbuy.com/>

TAPE AND REEL BOX DIMENSIONS


*All dimensions are nominal

| Device | Package Type | Package Drawing | Pins | SPQ | Length (mm) | Width (mm) | Height (mm) |
|-------------|--------------|-----------------|------|------|-------------|------------|-------------|
| TLV7031DBVR | SOT-23 | DBV | 5 | 3000 | 183.0 | 183.0 | 20.0 |
| TLV7031DCKR | SC70 | DCK | 5 | 3000 | 190.0 | 190.0 | 30.0 |
| TLV7031DCKT | SC70 | DCK | 5 | 250 | 190.0 | 190.0 | 30.0 |
| TLV7031DPWR | X2SON | DPW | 5 | 3000 | 205.0 | 200.0 | 33.0 |
| TLV7032DDFR | SOT-23-THIN | DDF | 8 | 3000 | 210.0 | 185.0 | 35.0 |
| TLV7032DGKR | VSSOP | DGK | 8 | 2500 | 364.0 | 364.0 | 27.0 |
| TLV7032DSGR | WSON | DSG | 8 | 3000 | 210.0 | 185.0 | 35.0 |
| TLV7034PWR | TSSOP | PW | 14 | 2000 | 356.0 | 356.0 | 35.0 |
| TLV7034RTER | WQFN | RTE | 16 | 3000 | 367.0 | 367.0 | 35.0 |
| TLV7041DBVR | SOT-23 | DBV | 5 | 3000 | 183.0 | 183.0 | 20.0 |
| TLV7041DCKR | SC70 | DCK | 5 | 3000 | 190.0 | 190.0 | 30.0 |
| TLV7041DCKT | SC70 | DCK | 5 | 250 | 190.0 | 190.0 | 30.0 |
| TLV7041DPWR | X2SON | DPW | 5 | 3000 | 205.0 | 200.0 | 33.0 |
| TLV7042DDFR | SOT-23-THIN | DDF | 8 | 3000 | 210.0 | 185.0 | 35.0 |
| TLV7042DGKR | VSSOP | DGK | 8 | 2500 | 364.0 | 364.0 | 27.0 |
| TLV7042DSGR | WSON | DSG | 8 | 3000 | 210.0 | 185.0 | 35.0 |
| TLV7044PWR | TSSOP | PW | 14 | 2000 | 356.0 | 356.0 | 35.0 |
| TLV7044RTER | WQFN | RTE | 16 | 3000 | 367.0 | 367.0 | 35.0 |

顶点光电子商城
<https://www.vertex-icbuy.com/>

DCK (R-PDSO-G5)

PLASTIC SMALL-OUTLINE PACKAGE

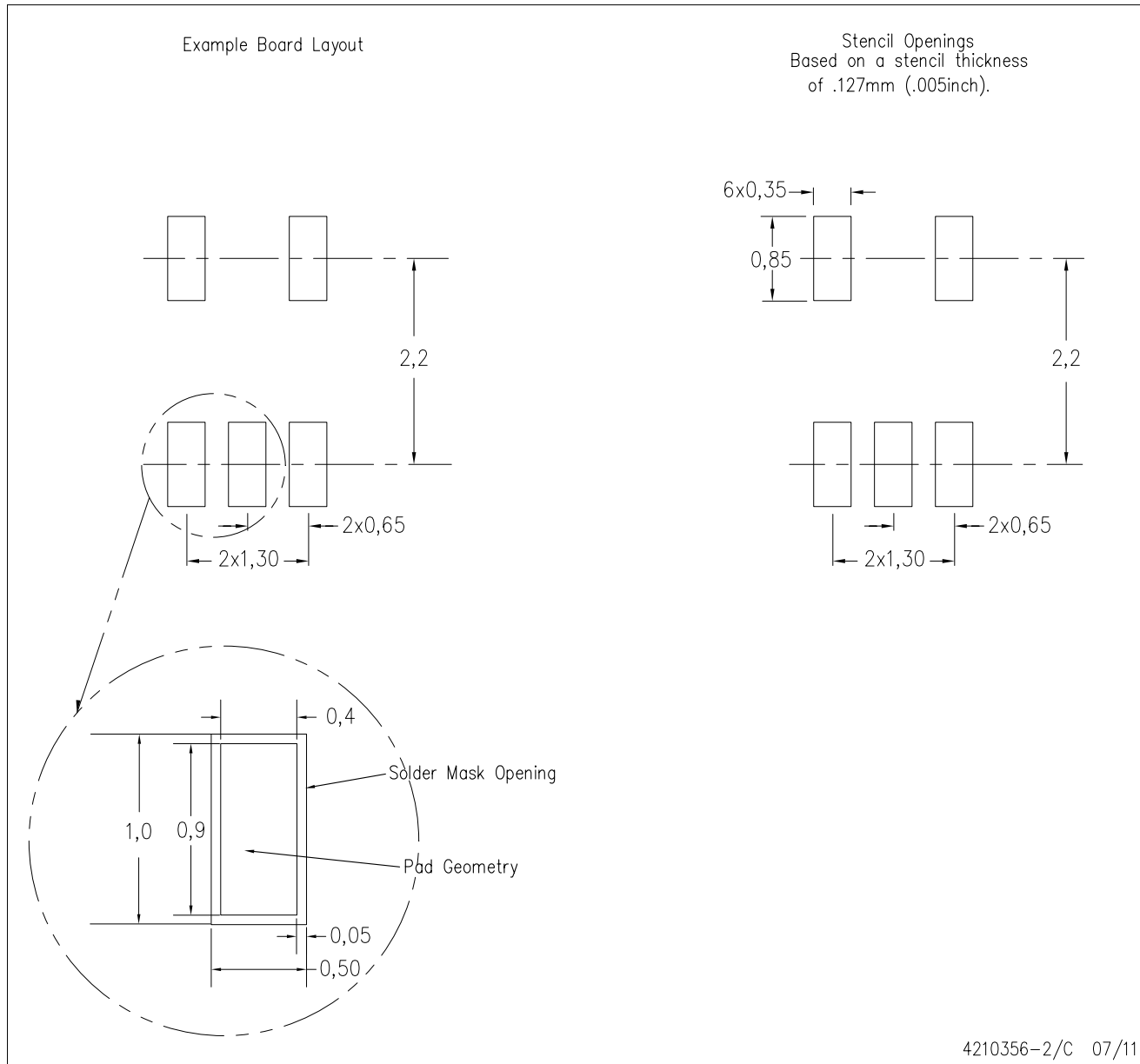


- NOTES:
- A. All linear dimensions are in millimeters.
 - B. This drawing is subject to change without notice.
 - C. Body dimensions do not include mold flash or protrusion. Mold flash and protrusion shall not exceed 0.15 per side.
 - D. Falls within JEDEC MO-203 variation AA.

顶点光电子商城
<https://www.vertex-icbuy.com/>

DCK (R-PDSO-G5)

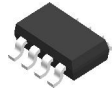
PLASTIC SMALL OUTLINE



- NOTES:
- A. All linear dimensions are in millimeters.
 - B. This drawing is subject to change without notice.
 - C. Customers should place a note on the circuit board fabrication drawing not to alter the center solder mask defined pad.
 - D. Publication IPC-7351 is recommended for alternate designs.
 - E. Laser cutting apertures with trapezoidal walls and also rounding corners will offer better paste release. Customers should contact their board assembly site for stencil design recommendations. Example stencil design based on a 50% volumetric metal load solder paste. Refer to IPC-7525 for other stencil recommendations.

顶点光电子商城
<https://www.vertex-icbuy.com/>

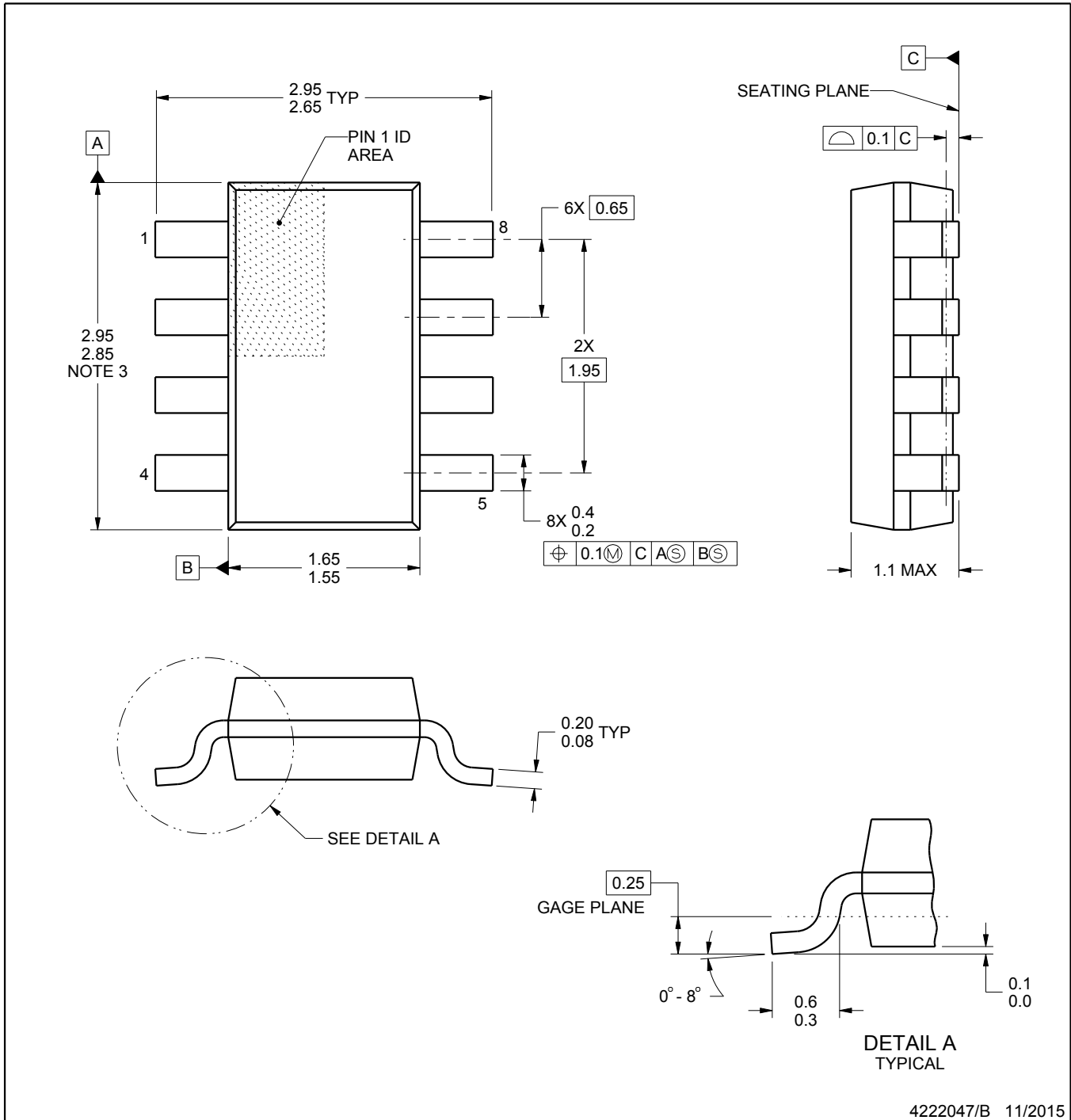
DDF0008A



PACKAGE OUTLINE

SOT-23 - 1.1 mm max height

PLASTIC SMALL OUTLINE



4222047/B 11/2015

NOTES:

1. All linear dimensions are in millimeters. Any dimensions in parenthesis are for reference only. Dimensioning and tolerancing per ASME Y14.5M.
2. This drawing is subject to change without notice.
3. This dimension does not include mold flash, protrusions, or gate burrs. Mold flash, protrusions, or gate burrs shall not exceed 0.15 mm per side.

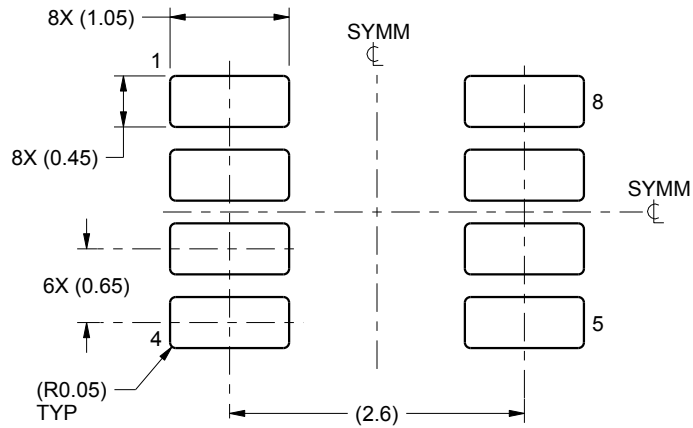
顶点光电子商城
<https://www.vertex-icbuy.com/>

EXAMPLE BOARD LAYOUT

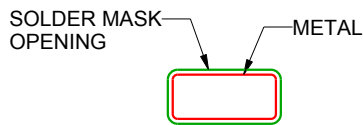
DDF0008A

SOT-23 - 1.1 mm max height

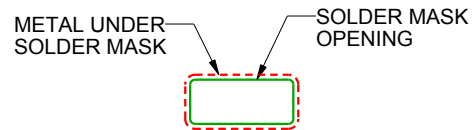
PLASTIC SMALL OUTLINE



LAND PATTERN EXAMPLE
SCALE:15X



NON SOLDER MASK
DEFINED



SOLDER MASK
DEFINED

SOLDER MASK DETAILS

4222047/B 11/2015

NOTES: (continued)

4. Publication IPC-7351 may have alternate designs.
5. Solder mask tolerances between and around signal pads can vary based on board fabrication site.

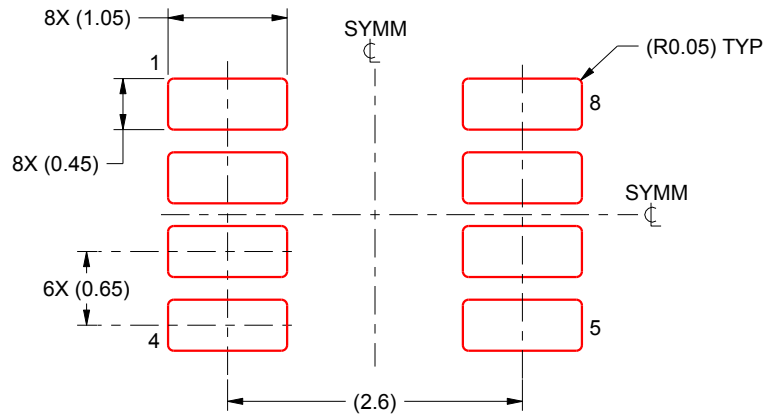
顶点光电子商城
<https://www.vertex-icbuy.com/>

EXAMPLE STENCIL DESIGN

DDF0008A

SOT-23 - 1.1 mm max height

PLASTIC SMALL OUTLINE



SOLDER PASTE EXAMPLE
BASED ON 0.125 mm THICK STENCIL
SCALE:15X

4222047/B 11/2015

NOTES: (continued)

6. Laser cutting apertures with trapezoidal walls and rounded corners may offer better paste release. IPC-7525 may have alternate design recommendations.
7. Board assembly site may have different recommendations for stencil design.

顶点光电子商城
<https://www.vertex-icbuy.com/>

GENERIC PACKAGE VIEW

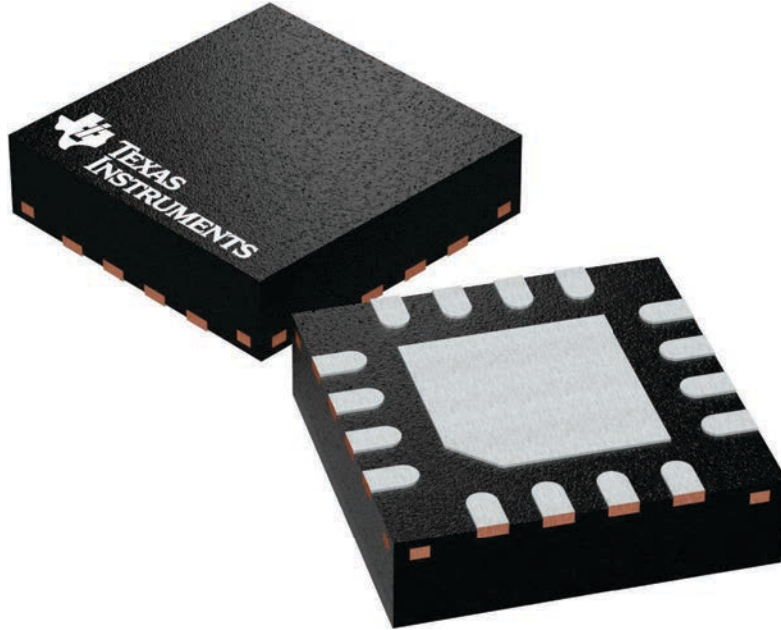
RTE 16

WQFN - 0.8 mm max height

3 x 3, 0.5 mm pitch

PLASTIC QUAD FLATPACK - NO LEAD

This image is a representation of the package family, actual package may vary.
Refer to the product data sheet for package details.



顶点光电子商城
<https://www.vertex-icbuy.com/>

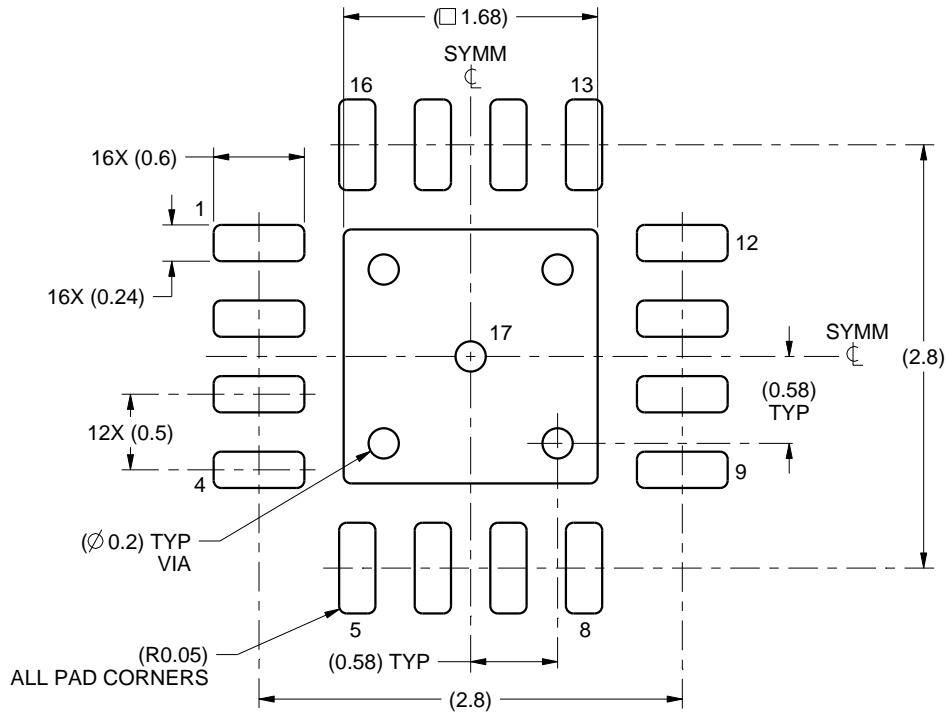
4225944/A

EXAMPLE BOARD LAYOUT

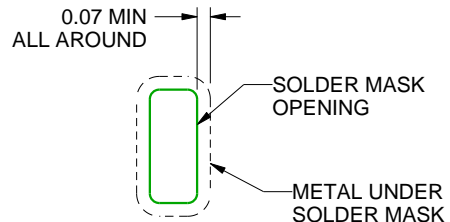
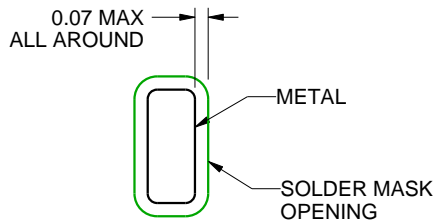
RTE0016C

WQFN - 0.8 mm max height

PLASTIC QUAD FLATPACK - NO LEAD



LAND PATTERN EXAMPLE
SCALE:20X



SOLDER MASK DETAILS

4219117/A 09/2016

NOTES: (continued)

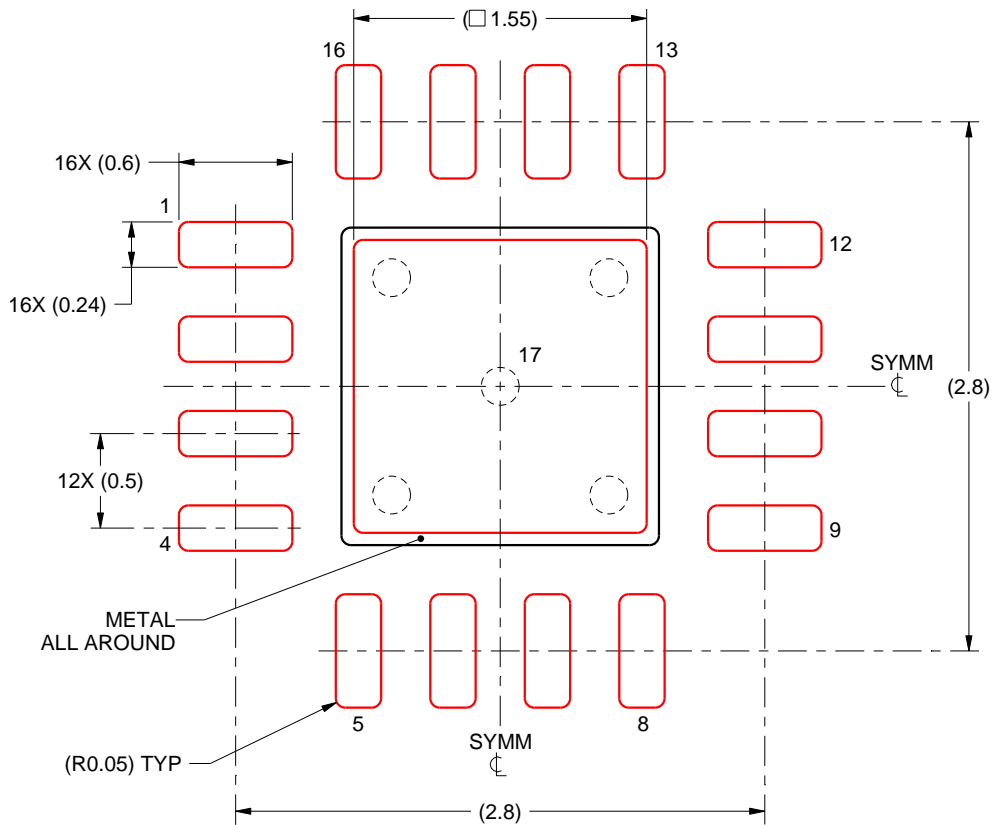
- This package is designed to be soldered to a thermal pad on the board. For more information, see Texas Instruments literature number SLUA271 (www.ti.com/lit/slua271).
- Vias are optional depending on application, refer to device data sheet. If any vias are implemented, refer to their locations shown on this view. It is recommended that vias under paste be filled, plugged or tented.

EXAMPLE STENCIL DESIGN

RTE0016C

WQFN - 0.8 mm max height

PLASTIC QUAD FLATPACK - NO LEAD



SOLDER PASTE EXAMPLE
BASED ON 0.125 mm THICK STENCIL

EXPOSED PAD 17:
85% PRINTED SOLDER COVERAGE BY AREA UNDER PACKAGE
SCALE:25X

4219117/A 09/2016

NOTES: (continued)

6. Laser cutting apertures with trapezoidal walls and rounded corners may offer better paste release. IPC-7525 may have alternate design recommendations.

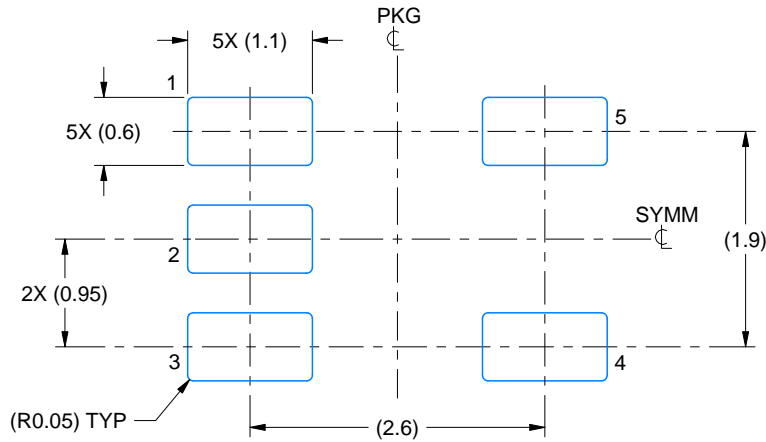
顶点光电子商城
<https://www.vertex-icbuy.com/>

EXAMPLE BOARD LAYOUT

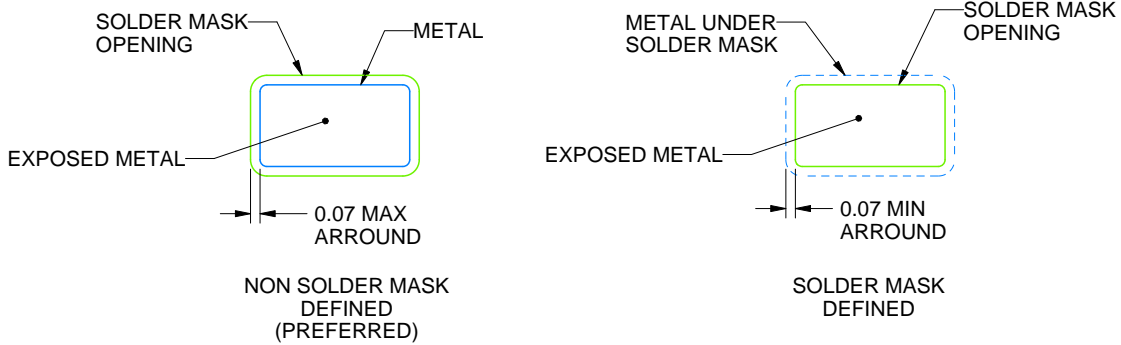
DBV0005A

SOT-23 - 1.45 mm max height

SMALL OUTLINE TRANSISTOR



LAND PATTERN EXAMPLE
EXPOSED METAL SHOWN
SCALE:15X



SOLDER MASK DETAILS

4214839/F 06/2021

NOTES: (continued)

- 5. Publication IPC-7351 may have alternate designs.
- 6. Solder mask tolerances between and around signal pads can vary based on board fabrication site.

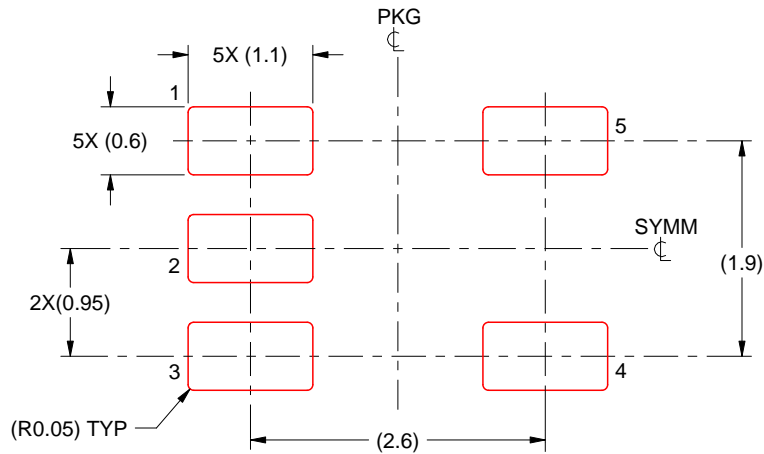
顶点光电子商城
<https://www.vertex-icbuy.com/>

EXAMPLE STENCIL DESIGN

DBV0005A

SOT-23 - 1.45 mm max height

SMALL OUTLINE TRANSISTOR



SOLDER PASTE EXAMPLE
BASED ON 0.125 mm THICK STENCIL
SCALE:15X

4214839/F 06/2021

NOTES: (continued)

7. Laser cutting apertures with trapezoidal walls and rounded corners may offer better paste release. IPC-7525 may have alternate design recommendations.
8. Board assembly site may have different recommendations for stencil design.

顶点光电子商城
<https://www.vertex-icbuy.com/>

GENERIC PACKAGE VIEW

DPW 5

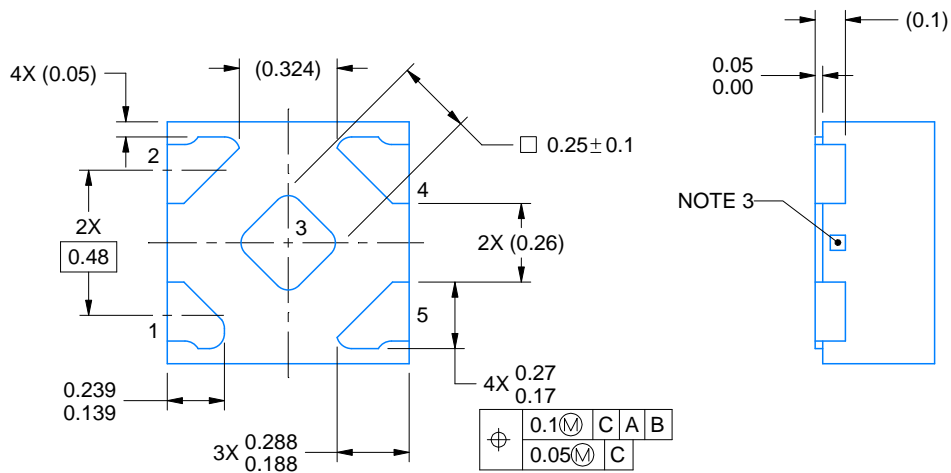
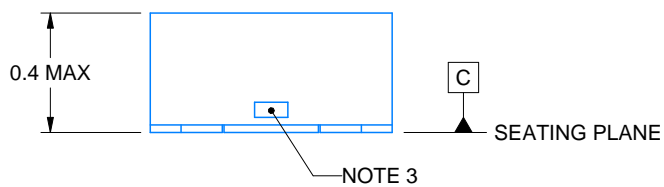
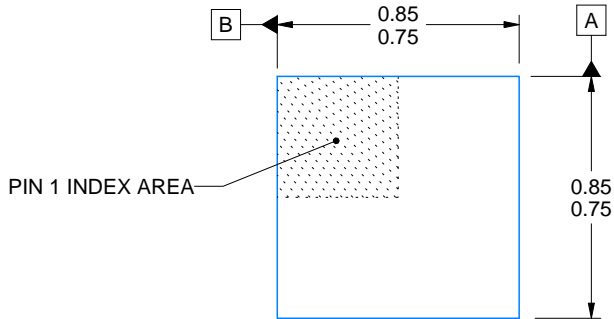
X2SON - 0.4 mm max height

PLASTIC SMALL OUTLINE - NO LEAD



Images above are just a representation of the package family, actual package may vary.
Refer to the product data sheet for package details.

4211218-3/D



4223102/D 03/2022

NOTES:

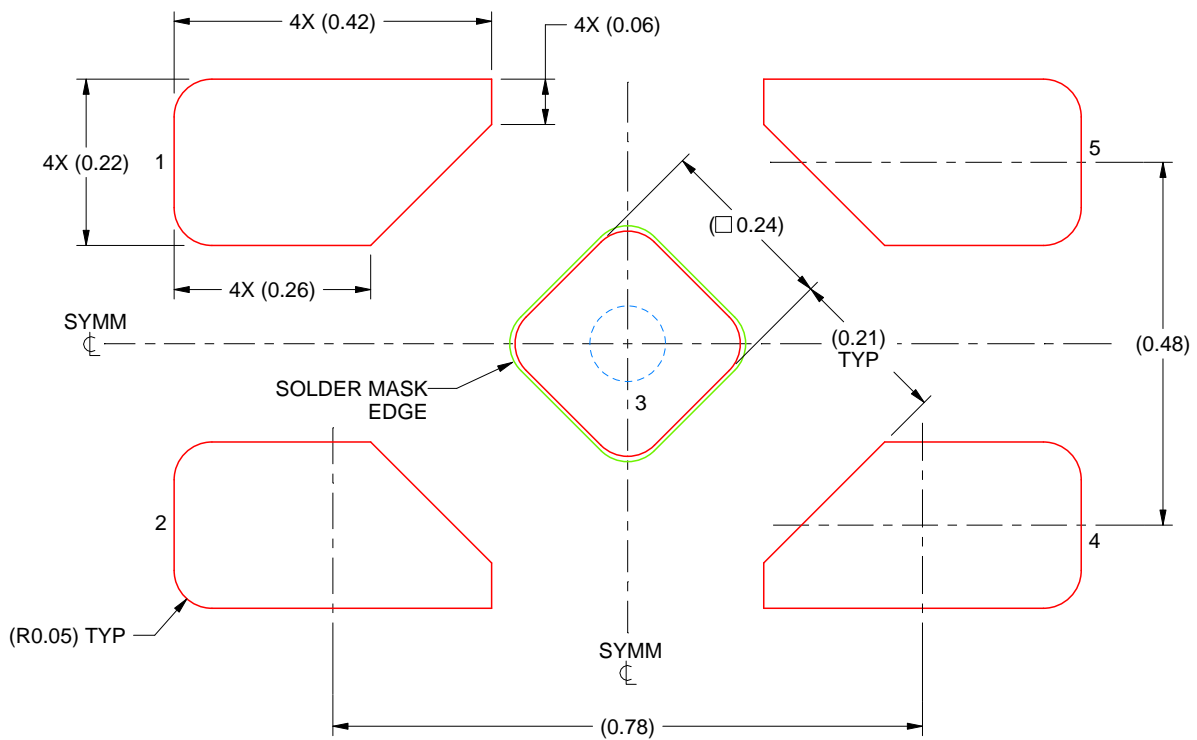
1. All linear dimensions are in millimeters. Any dimensions in parenthesis are for reference only. Dimensioning and tolerancing per ASME Y14.5M.
2. This drawing is subject to change without notice.
3. The size and shape of this feature may vary.

EXAMPLE STENCIL DESIGN

DPW0005A

X2SON - 0.4 mm max height

PLASTIC SMALL OUTLINE - NO LEAD



SOLDER PASTE EXAMPLE
BASED ON 0.1 mm THICK STENCIL

EXPOSED PAD 3
92% PRINTED SOLDER COVERAGE BY AREA UNDER PACKAGE
SCALE:100X

4223102/D 03/2022

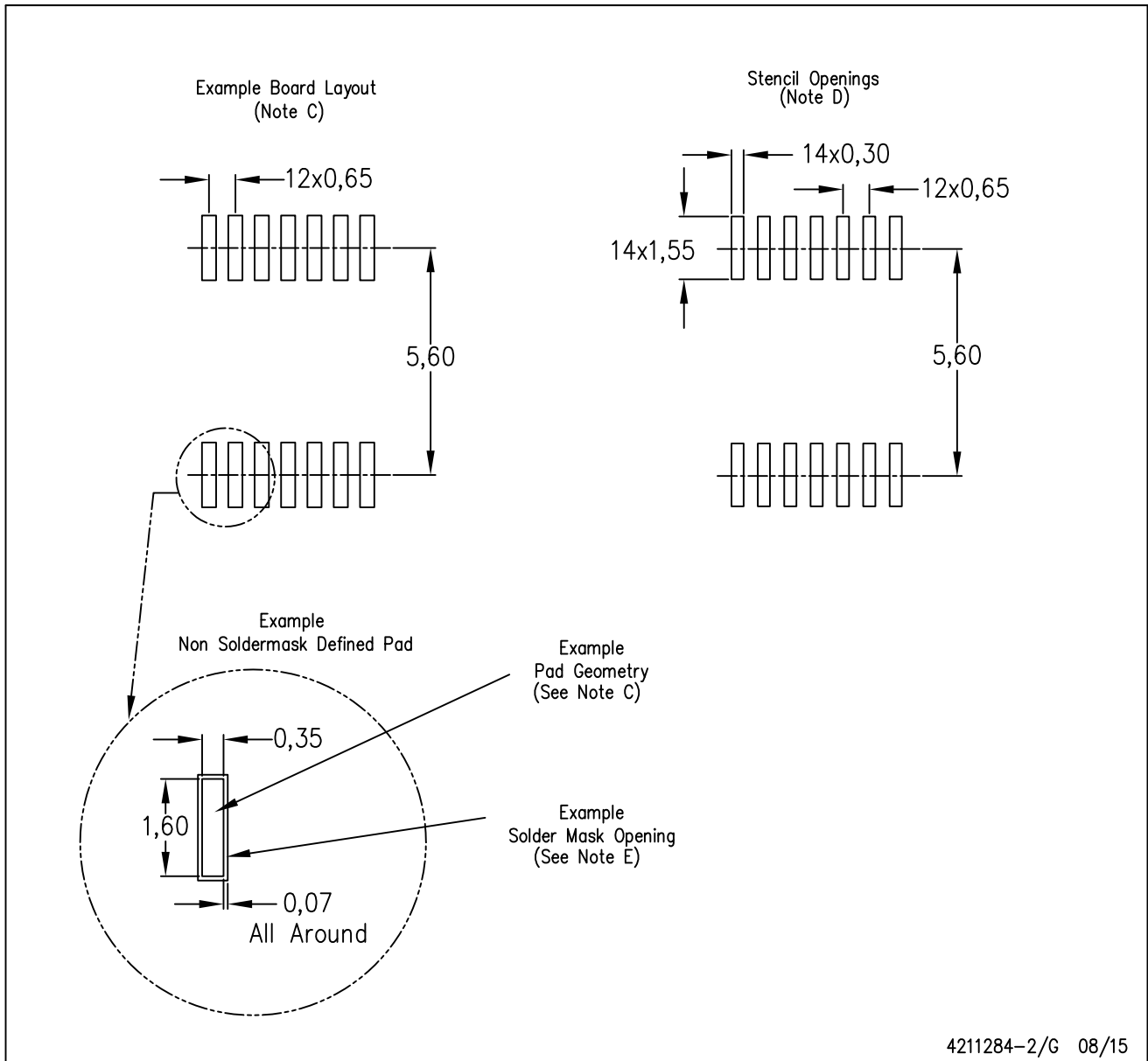
NOTES: (continued)

5. Laser cutting apertures with trapezoidal walls and rounded corners may offer better paste release. IPC-7525 may have alternate design recommendations.

顶点光电子商城
<https://www.vertex-icbuy.com/>

PW (R-PDSO-G14)

PLASTIC SMALL OUTLINE



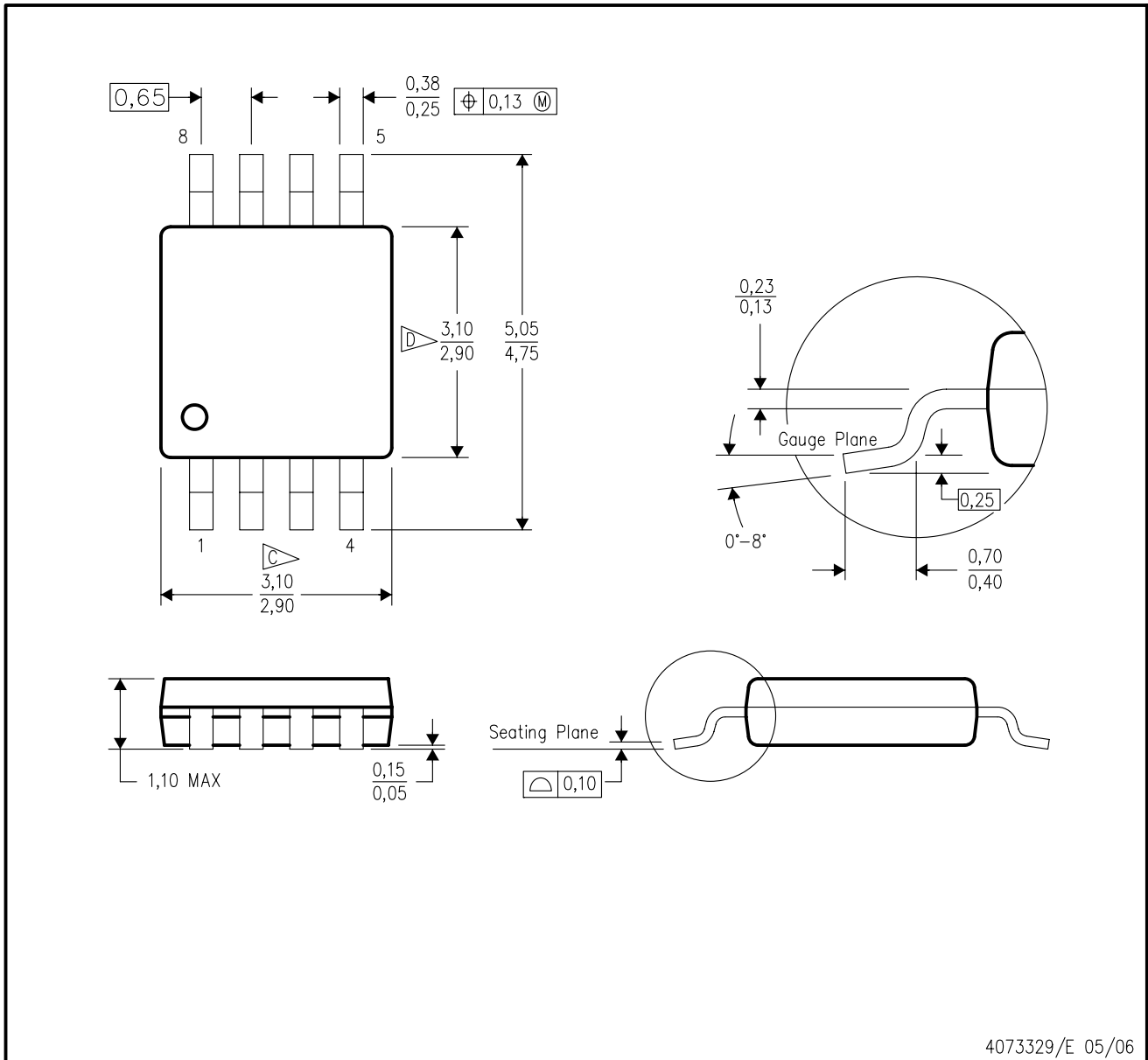
4211284-2/G 08/15

- NOTES:
- All linear dimensions are in millimeters.
 - This drawing is subject to change without notice.
 - Publication IPC-7351 is recommended for alternate designs.
 - Laser cutting apertures with trapezoidal walls and also rounding corners will offer better paste release. Customers should contact their board assembly site for stencil design recommendations. Refer to IPC-7525 for other stencil recommendations.
 - Customers should contact their board fabrication site for solder mask tolerances between and around signal pads.

顶点光电子商城
<https://www.vertex-icbuy.com/>

DGK (S-PDSO-G8)

PLASTIC SMALL-OUTLINE PACKAGE

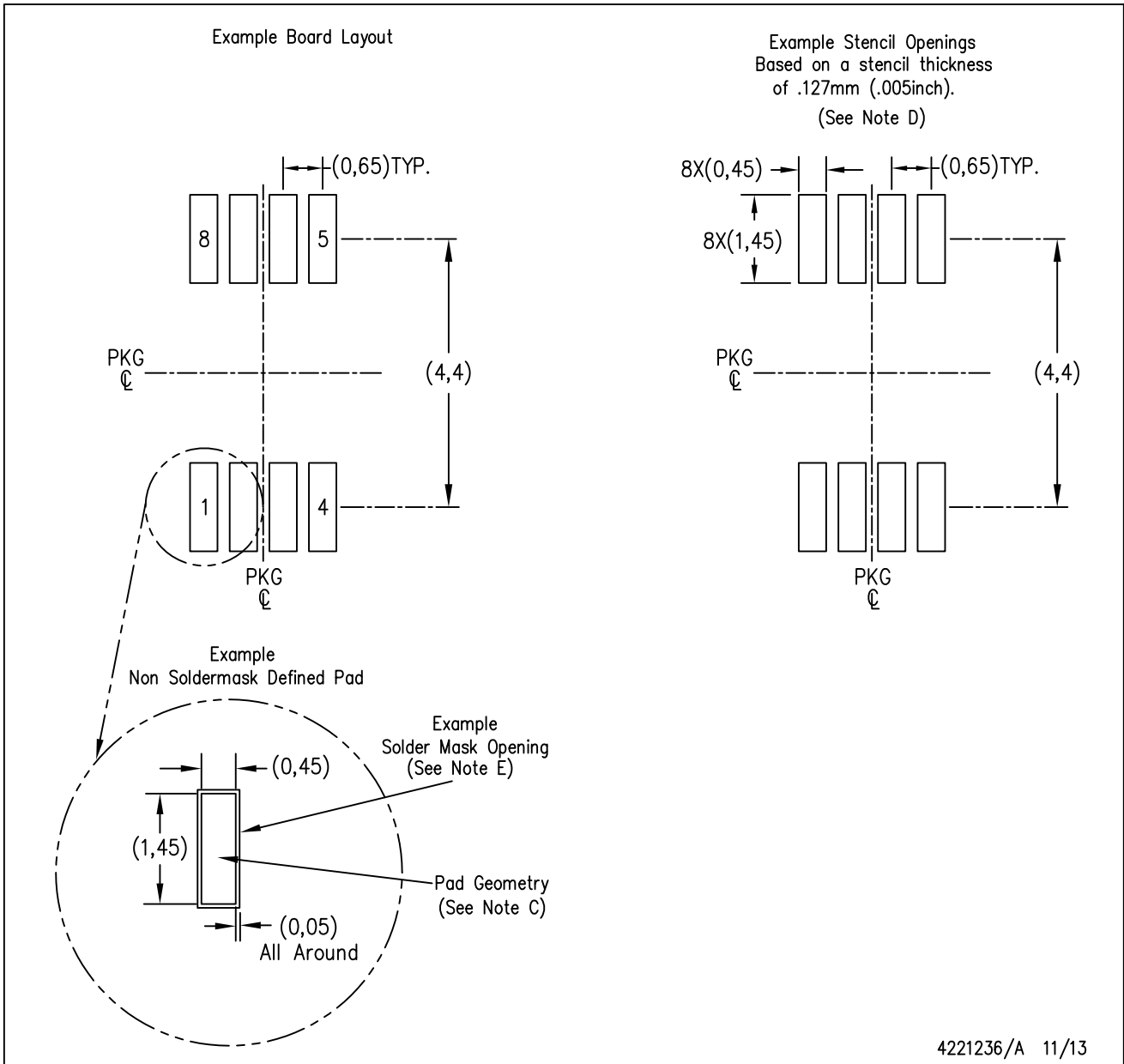


- NOTES:
- A. All linear dimensions are in millimeters.
 - B. This drawing is subject to change without notice.
 - C. Body length does not include mold flash, protrusions, or gate burrs. Mold flash, protrusions, or gate burrs shall not exceed 0.15 per end.
 - D. Body width does not include interlead flash. Interlead flash shall not exceed 0.50 per side.
 - E. Falls within JEDEC MO-187 variation AA, except interlead flash.

顶点光电子商城
<https://www.vertex-icbuy.com/>

DGK (S-PDSO-G8)

PLASTIC SMALL OUTLINE PACKAGE



- NOTES:
- A. All linear dimensions are in millimeters.
 - B. This drawing is subject to change without notice.
 - C. Publication IPC-7351 is recommended for alternate designs.
 - D. Laser cutting apertures with trapezoidal walls and also rounding corners will offer better paste release. Customers should contact their board assembly site for stencil design recommendations. Refer to IPC-7525 for other stencil recommendations.
 - E. Customers should contact their board fabrication site for solder mask tolerances between and around signal pads.

顶点光电子商城
<https://www.vertex-icbuy.com/>

GENERIC PACKAGE VIEW

DSG 8

WSON - 0.8 mm max height

2 x 2, 0.5 mm pitch

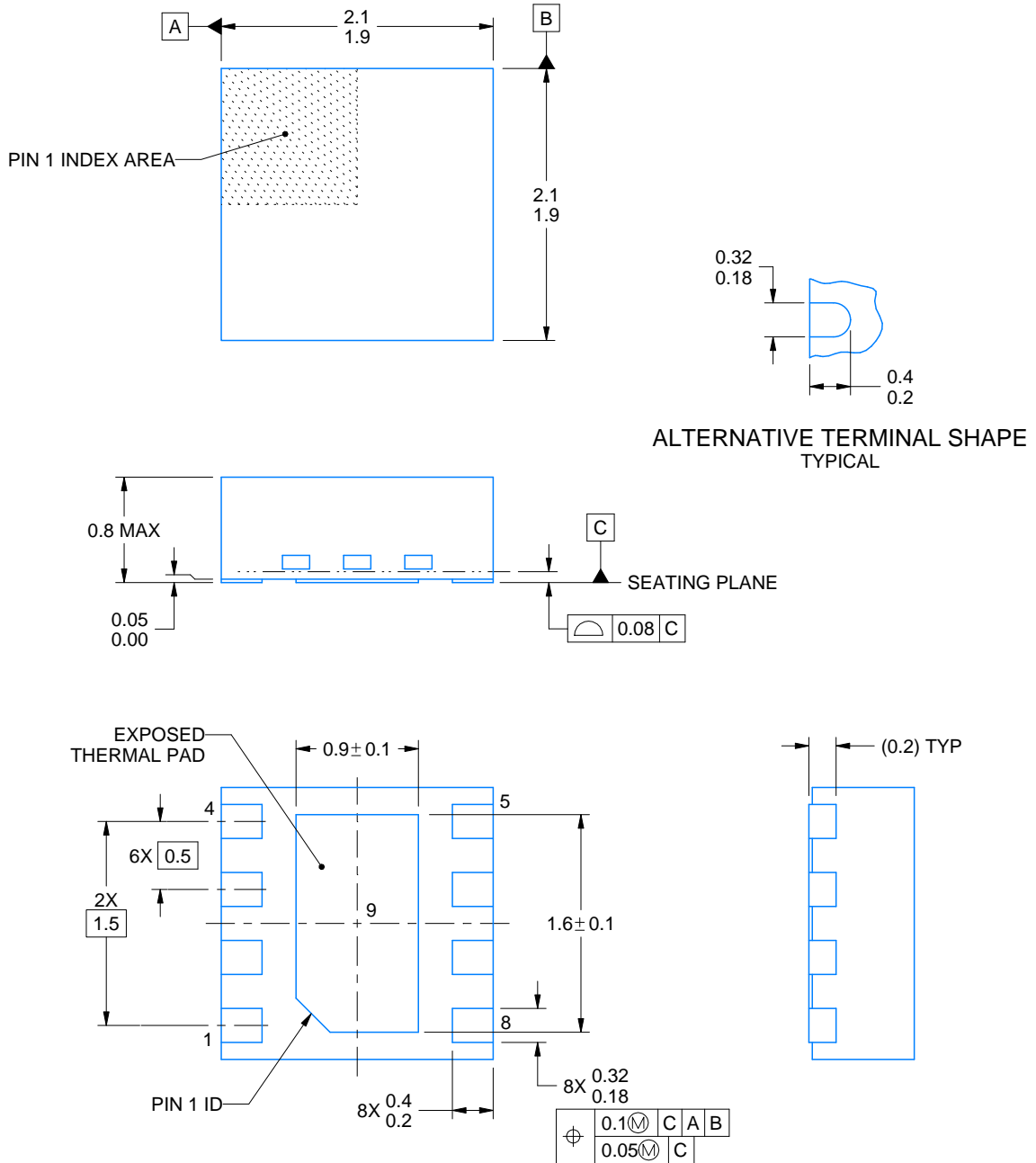
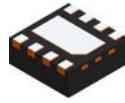
PLASTIC SMALL OUTLINE - NO LEAD

This image is a representation of the package family, actual package may vary.
Refer to the product data sheet for package details.



顶点光电子商城
<https://www.vertex-icbuy.com/>

4224783/A



4218900/D 04/2020

NOTES:

1. All linear dimensions are in millimeters. Any dimensions in parenthesis are for reference only. Dimensioning and tolerancing per ASME Y14.5M.
2. This drawing is subject to change without notice.
3. The package thermal pad must be soldered to the printed circuit board for thermal and mechanical performance.

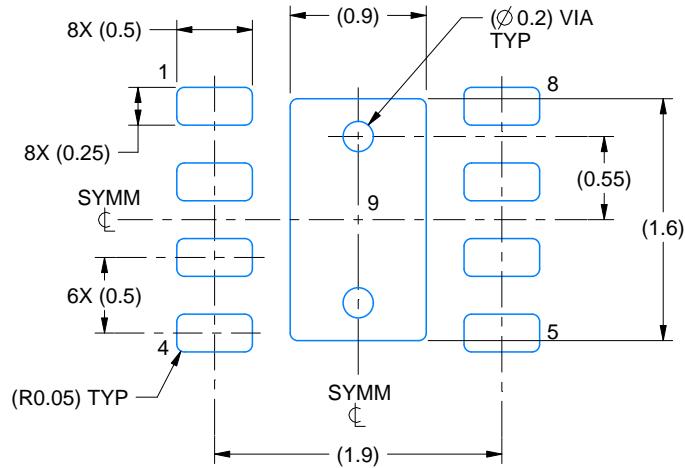
顶点光电子商城
<https://www.vertex-icbuy.com/>

EXAMPLE BOARD LAYOUT

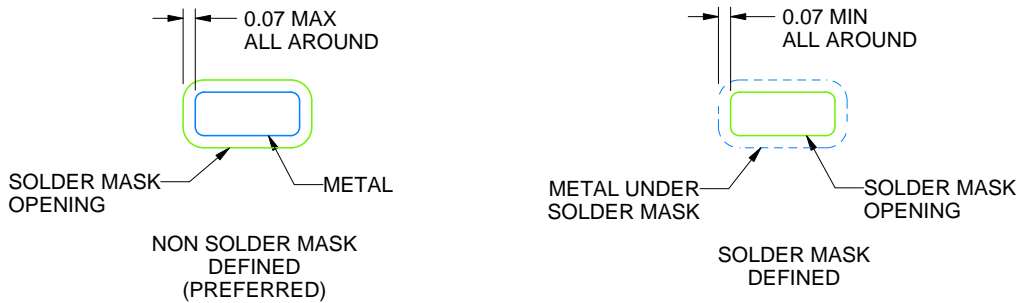
DSG0008A

WSON - 0.8 mm max height

PLASTIC SMALL OUTLINE - NO LEAD



LAND PATTERN EXAMPLE
SCALE:20X



SOLDER MASK DETAILS

4218900/D 04/2020

NOTES: (continued)

4. This package is designed to be soldered to a thermal pad on the board. For more information, see Texas Instruments literature number SLUA271 (www.ti.com/lit/slua271).
5. Vias are optional depending on application, refer to device data sheet. If any vias are implemented, refer to their locations shown on this view. It is recommended that vias under paste be filled, plugged or tented.

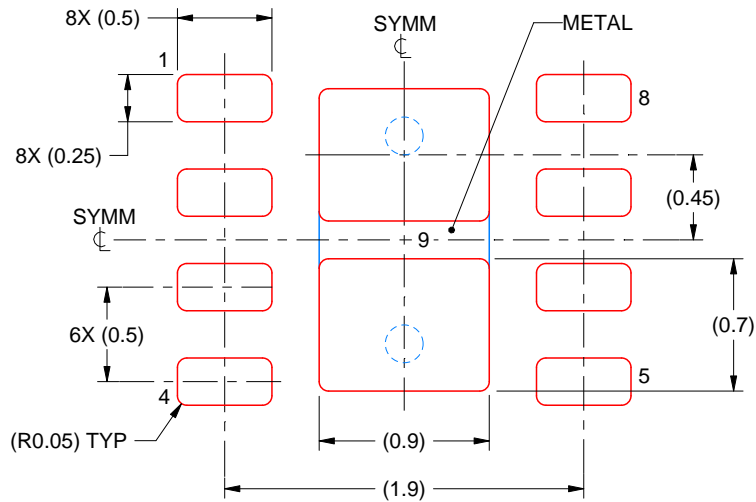
顶点光电子商城
<https://www.vertex-icbuy.com/>

EXAMPLE STENCIL DESIGN

DSG0008A

WSON - 0.8 mm max height

PLASTIC SMALL OUTLINE - NO LEAD



SOLDER PASTE EXAMPLE
BASED ON 0.125 mm THICK STENCIL

EXPOSED PAD 9:
87% PRINTED SOLDER COVERAGE BY AREA UNDER PACKAGE
SCALE:25X

4218900/D 04/2020

NOTES: (continued)

6. Laser cutting apertures with trapezoidal walls and rounded corners may offer better paste release. IPC-7525 may have alternate design recommendations.

顶点光电子商城
<https://www.vertex-icbuy.com/>